

integral-system.fr/shop

Date:
01/12/2014

Material:
-

Title:
DGI.12Q12.F-U (with USB interface)

P/N:
VES000649

Dimensions without indicated tolerances -
precision according to:
ISO 2768 F

Rev:

Tolerance class	Length (mm)			
	>0 - 6	>6-30	>30-120	>120-400
C (Coarse)	± 0.2	± 0.5	± 0.8	± 1.2
M (medium)	± 0.1	± 0.2	± 0.3	± 0.5
F (Fine)	± 0.05	± 0.1	± 0.15	± 0.2

File:
DGI.12Q12.F-U (Data-Sheet).idw

Drawn:
A.Tosi

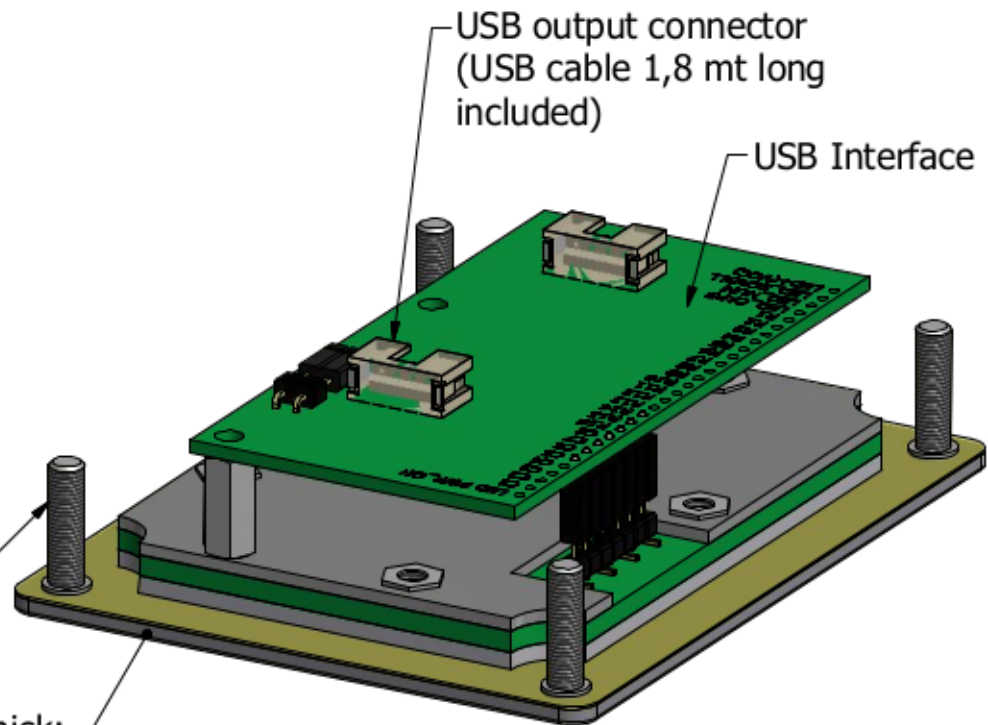
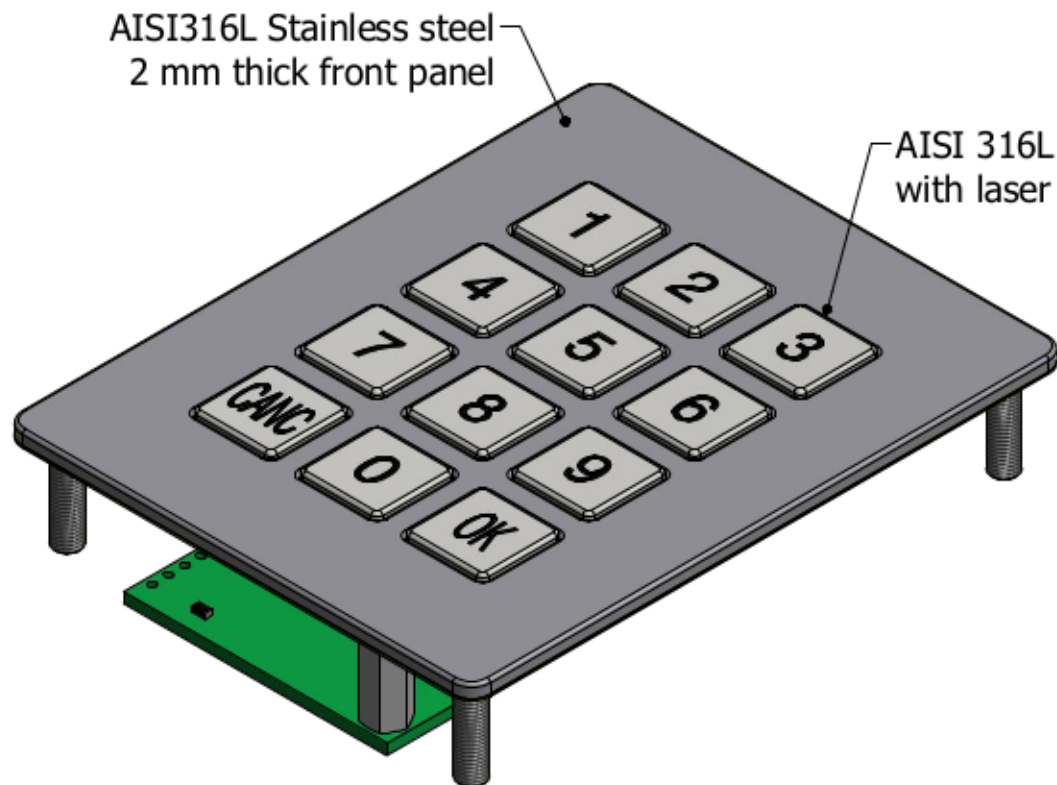
Approved:

Surface treatment:
-

Sheet: 1 Of: 2


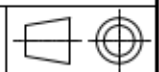


UNLESS OTHERWISE SPECIFIED, DIMENSIONS ARE IN MILLIMETERS



USB Output



		Title: DGI.12Q12.F-U (with USB interface)				File: DGI.12Q12.F-U (Data-Sheet).idw	Drawn: A. Tosi
		P/N: VES000649		Rev:			
Date: 01/12/2014		Dimensions without indicated tolerances - precision according to: ISO 2768 F		Tolerance class		Lenght (mm)	
Material: -		Surface treatment: -		>0 - 6	>6-30	>30-120	>120-400
				C (Coarse)	± 0.2	± 0.5	± 0.8
				M (medium)	± 0.1	± 0.2	± 0.3
				F (Fine)	± 0.05	± 0.1	± 0.15
					± 1.2	± 0.5	± 0.2
				Sheet: 2	Of: 2		

UNLESS OTHERWISE SPECIFIED, DIMENSIONS ARE IN MILLIMETERS