

TOSI 350

The all-around Plug & Go™ connectivity device



If your business requires a compact, all-in-one connectivity solution that operates seamlessly worldwide - look no further. Say hello to the Tosi® 350: Tailored for businesses seeking a compact, all-encompassing solution that operates seamlessly across the globe. With its fixed ethernet interface and WiFi you can enjoy stable remote access wherever you are. No technical expertise is needed – just plug and play!

Security at the forefront. The same top-notch Tosi® cybersecurity technology you are familiar with is packed, ensuring your connections are always safe and protected.

Enjoy the convenience of four LAN ethernet ports for effortlessly connecting additional network devices, enabling smooth operations. Digital I/O extends the VPN management out of device boundaries for versatile OT applications, adapting to your specific needs. Building a secure and reliable infrastructure has never been this simple.



Connect

Plug & Go™ deployment at any OT site - encrypted tunnels without network changes.



Visualize

Every gateway brings full OT site visibility to Tosi Control - one console, entire fleet.



Control

Built-in firewall, zero-trust, and AES-256 encryption - control who accesses what.

PERFORMANCE

- Up to 10 Mbps VPN throughput, end-to-end encryption between Tosi devices
- Four LAN ethernet ports for conveniently connecting managed network devices
- Digital I/O support

RELIABILITY

- Integrated WiFi as connectivity method or access point for wireless devices on site
- TosiOnline automatic reconnection of dropped connections

INDUSTRIAL DESIGN

- All managed interfaces are on the faceplate
- Industrial type power connector
- Robust and fanless enclosure
- DIN rail attachment

TOSI 350 TECHNICAL DATA

Product codes: **TBN350, TBL350**

Certifications: CE, FCC, cULus, RCM

PORTS

- 1 x RJ-45 WAN connection, 10/100 Mbps, auto-negotiation (MDI / MDI-X)
- 4 x RJ-45 LAN connection, 10/100 Mbps, auto-negotiation (MDI / MDI-X)
- 1 x USB 2.0, type A

CONNECTIONS

- 2 pin industrial DC power socket
- 6-Pin 3.5mm Digital IO socket (6-Pin serial interface not supported in software)
- 5-35V DC, reverse polarity protection, voltage surge/transient protection
- 1 x RP-SMA for WiFi
- DIN rail mounting in the back

CONNECTION FEATURES

- 2-way WAN priority
- Proxy server support
- WAN access with static addressing or DHCP
- Network Time Protocol (NTP) server
- Automatic LAN network discovery
- LAN access with mixed static addressing and DHCP server
- Management web UI access via http/https
- Modbus server
- Static routes
- Works in all Internet connections (operator independent)
- Works with dynamic, static and private IP addresses
- Built-in firewall, NAT
- Up to 50 concurrent VPN connections
- Aggregate VPN throughput up to 10 Mbps
- Single VPN throughput up to 10 Mbps

WLAN

- IEEE 802.11 b/g/n, 2.4 GHz, max. 54 Mbps
- Encryptions WEP, WPA-PSK, WPA2-PSK, WPA-PSK/WPA2-PSK mixed mode
- Frequency 2.412 – 2.462 GHz, 11 channels
- Access point or client mode
- Output power 20 dBm max

I/O SPECIFICATIONS

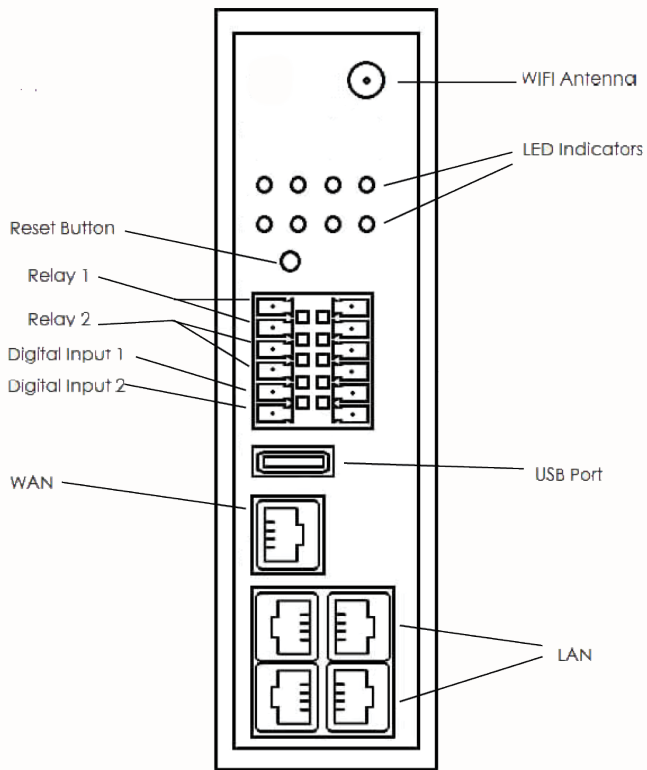
- 2 x Digital input, 0 - 30 V as logic high
- 2 x Digital output, relay, up to 5A and 30 VDC/250VAC output
- Software configurable I/O state

INCLUDED ACCESSORIES

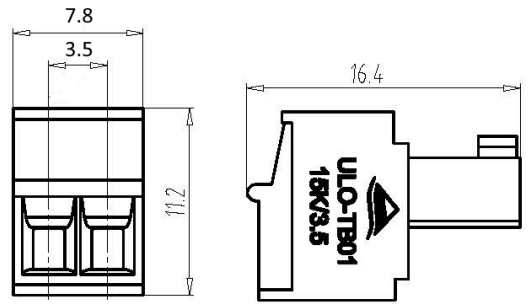
- Power supply unit
 - AC adapter - Input 100 – 240 V AC, frequency 50/60Hz, 0,6A, Output 12.0 V, 1.5 A, max 18 W
- 1 x WiFi antenna (RP-SMA male)
- Power plug with contact terminals
 - 2x 6-Pin Digital IO Terminal Block
 - 1x 2-Pin Power Terminal Block
- DIN rail mount
- Ethernet cable (1m)

PHYSICAL PROPERTIES

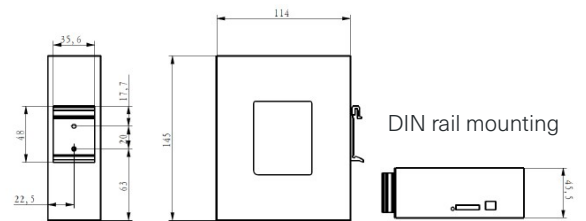
- 145 mm x 114 mm x 45 mm / 5.71" x 4.49" x 1.77" (W x H x L)
- Protection class IP30
- Weight 625 g / 1.37 lbs (net weight article)
- Storage temperature
 - 35 °C ... +75 °C / -31 °F ... +167 °F
- Operating temperature
 - 35 °C ... +75 °C / -31 °F ... +167 °F
- Power supply operating temperature
 - 10 °C ... +40 °C / 14°F ... +104 °F



Power plug



Dimensions (mm)



US HQ
1212 Corporate Drive
Suite 170
Irving, Texas 75038

GLOBAL HQ
Elektroniikkatie 2a
7th floor
90590 Oulu, Finland

[CONTACT US](#)

