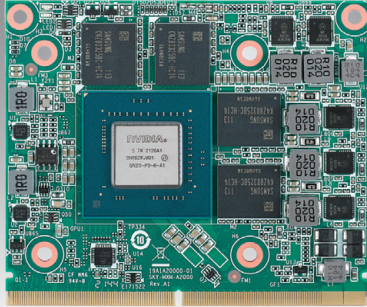


SKY-MXM-A1000

MXM 3.1 Type A NVIDIA® Quadro® Embedded A1000 with DP 1.4a



CE FCC

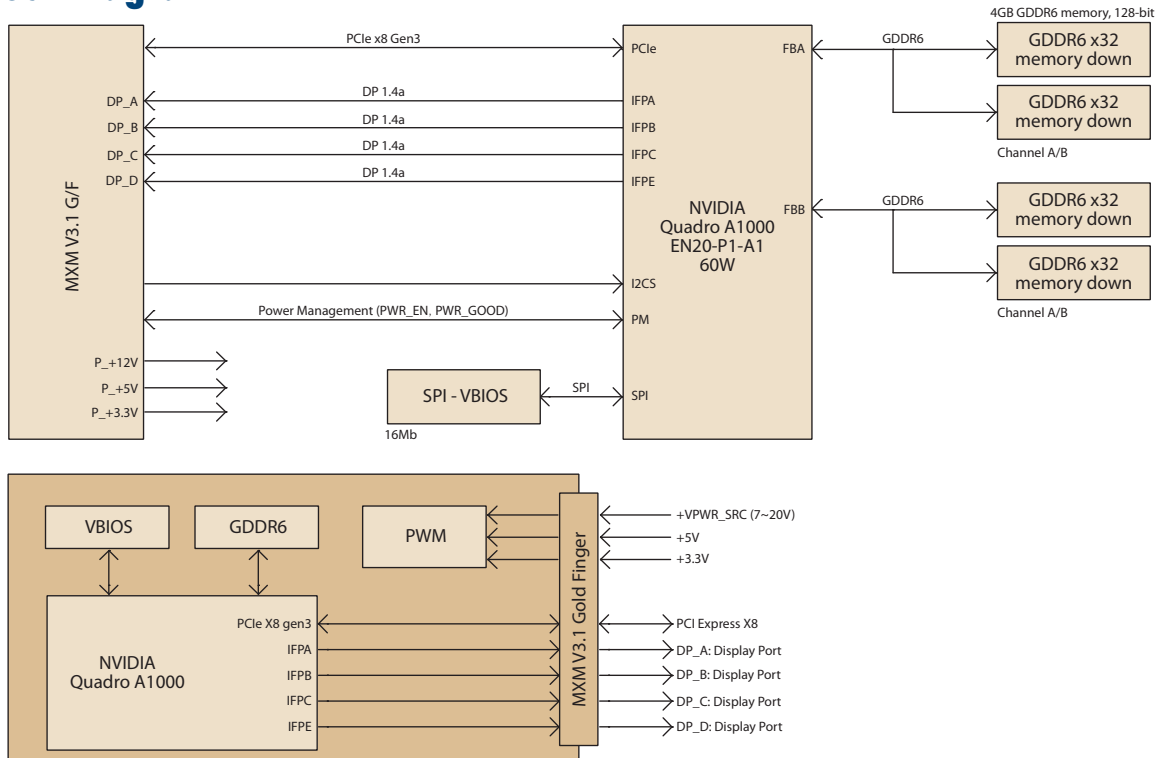
Features

- NVIDIA® Quadro® A1000 with MXM 3.1 TYPE A form factor (82 x 70 mm)
- Up to 2048 CUDA cores , 16 RT cores and 64 Tensor cores, 6.66 TFLOPS
- GDDR6 4GB memory, 128-bit, bandwidth 224 GB/s
- Up to 4 x DisplayPort 1.4a outputs
- Long life cycle, supports 5 years availability

Specifications

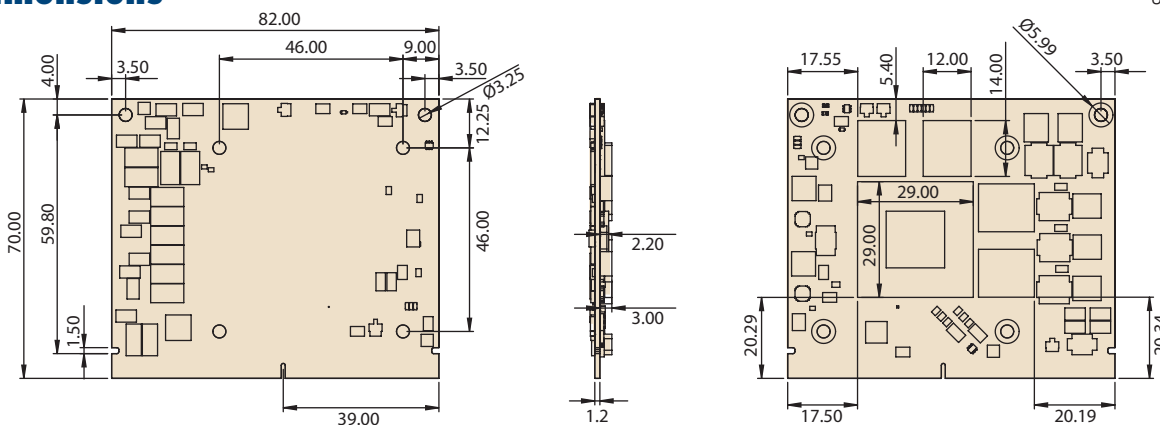
Processor System	GPU	Quadro® A1000	
	Graphic Architecture	NVIDIA® Ampere GA107-950	
	CUDA Parallel-Processing Cores	2048 CUDA® cores	
	GPU Base/Boost Clock	1192 MHZ / 1624 MHZ	
	RT Cores	16	
	Tensor Cores	64	
	FP32 Performance	6.66 TFLOPS	
Memory	Technology	GDDR6 4GB memory	
	Interface Width	128-bit	
	Bandwidth	224 GB/s	
Graphics	DP	4 x DisplayPort 1.4a, 4K at 120Hz or 8K at 60Hz(Requires DSC) Support HDMI 2.0 via DP dual-mode, 4K at 60Hz	
Bus	PCI express 3.0	MXM 3.1, PCI Express Gen3 x8 supports	
Power Consumption	Max Power Consumption	60W	
Environment	Temperature	Operating	Non-Operating
		0 ~ 55 °C (dependent on CPU and cooler solution)	-40 ~ 85 °C
	Humidity	40 °C @ 85% relative humidity (non-condensing)	60 °C @ 95% relative humidity (non-condensing)
Physical	Dimensions	82 (W) x 70 (D) mm	
	Form Factor	MXM 3.1 Type A	
OS	Microsoft	Windows 10/11, 64-bit	
	Linux	Linux Drivers, 64-bit	

Block Diagram



Dimensions

Unit: mm



Ordering Information

Part Number	GPU Memory	GPU Base/Boost Clock	RT Cores	Tensor Cores	FP32 Performance	Max Power Consumption	Display Connectors	Supported Features
SKY-MXM-A1000-4SDA	4GB GDDR6	1192 MHz / 1624 MHz	16	64	6.66 TFLOPS	60W	DP 1.4 * 4	Discrete Mode