

# PPC-315 EHL

## 15" Fanless Panel PC with Intel® Celeron® J6412 Processor



### Features

- Industrial-grade 15" XGA TFT LCD with 70K backlight lifetime
- Durable true-flat touchscreen with 5-wire resistive/projected capacitive touch control
- Intel® Celeron® J6412 quad-core, 2.6 GHz, processor
- Up to 32 GB DDR4 SDRAM
- 1 x RS-232, 1 x RS-232/422/485, 2 x USB 2.0, and 2 x USB 3.0
- Compact, fanless design with solid aluminum alloy enclosure and IP65-rated front panel
- Supports E-key for wireless module
- Supports expansion via M.2 slot
- Supports Windows Embedded and Android OS
- Supports VESA 75 x 75 mounting holes



### Introduction

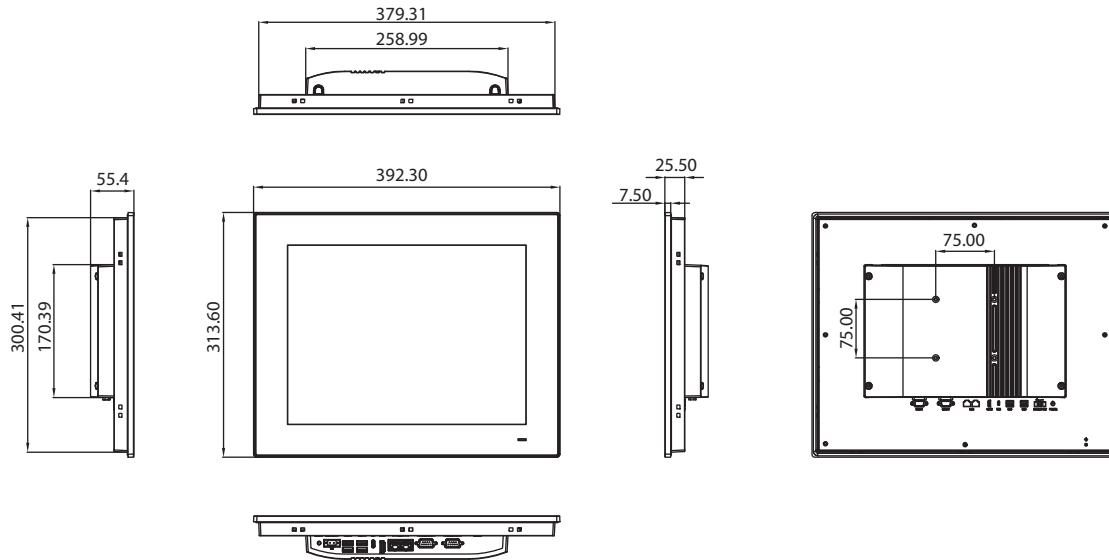
The PPC-315 EHL is an industrial panel PC equipped with 15" XGA TFT LED LCD, powered by low-power Intel J6412 processor yet high performance computing system. PPC-315 EHL adopts whole aluminum alloy enclosure, with rear cover assembled for easier maintain yet all in one piece through reliable fixation, realizes ultra slim compact fanless design. Despite satisfying USB 2.0&3.0 ports, PPC-315 EHL also provides type C that enables advanced compatibility in diverse industrial applications. Moreover, to provide enhanced function expansion, PPC-315 EHL embedded with M.2 M-Key and E-Key slots support for storage expansion and wireless module.

### Specifications

		PPC-315-RJ60A	PPC-315PJ60A
<b>System</b>	CPU	Intel® Celeron® J6412 quad core	
	Frequency	2.6 GHz	
	L2 Cache	2 MB	
	Memory	1 x SDRAM DDR4 3200 MHz (max. 32G)	
	Storage	1 x 2.5" SATA bay (optional; requires a bracket module for installation) 1 x M.2 slot: M key for storage (SATA only, 2242 & 2280)	
	Network (LAN)	2 x 10/100/1000 Mbps Ethernet (Intel I225-LM)	
	I/O	2 x Serial ports: 1 x RS-232, 1x RS-232/422/485 (Adjustable through BIOS) 2 x USB 2.0, 2 x USB 3.0 1 x Type C 1 x HDMI1.4	
	Expansion	1 x M.2 slot: E key for wireless module (Type: 2230)	
	Watchdog Timer	255 timer levels, set up by software	
<b>Physical Characteristics</b>	Dimensions	392 x 314 x 55 mm (15.4 x 12.4 x 2.2 in)	
	Weight	5 kg (11.02 lb)	
<b>OS Support</b>	OS Support	Microsoft® Windows 10(64-bit), Linux, Android 10	
<b>Power Consumption</b>	Input Voltage	12 ~ 30 V <sub>DC</sub>	
	Power Consumption	36.5W (Burn-in test 8.1 in Windows 10, 64-bit)	
<b>LCD</b>	Display Type	15" TFT LCD (LED backlight)	
	Resolution	1024 x 768	
	Viewing Angle	80 (left), 80 (right), 88 (up), 88 (down)	
	Luminance (cd/m <sup>2</sup> )	300	
	Contrast Ratio	2000	
	Backlight Lifetime	70,000 hr (min.)	
<b>Touchscreen</b>	Touch Type	ELO 5-wire resistive touch	Projected Capacitive Multi-touch
	Light Transmission	80±5% at 550 nm wavelength	88±2%
	Controller	USB interface	USB interface
	Durability (Touches)	Greater than 35 million touches in one location without failure	Cover glass > 7H
<b>Environment</b>	Operating Temperature	0 ~ 50 °C (32 ~ 122 °F)	
	Storage Temperature	-20 ~ 60 °C (-4 ~ 140 °F)	
	Relative Humidity	10 ~ 95% @ 40 °C (non-condensing)	
	Shock	Operating 10 G peak acceleration (11 ms duration), follow IEC 60068-2-27	
	Vibration	Operating Random Vibration Test 5 ~ 500Hz, 1Grms @with HDD; 2Grms @with SSD, follow IEC 60068-2-64	
	EMC	CE, FCC Class B, BSMI, UKCA	
	Safety	CB, CCC, BSMI, UL	
Front Panel Protection	IP65 compliant		

## Dimensions

Unit: mm

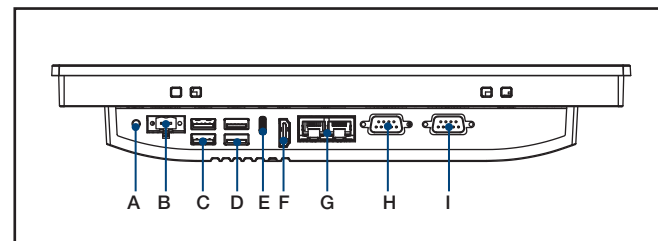


**Panel Cutout Dimensions: 382 x 303 mm (15.03 x 11.92 in)**

## Ordering Information

Part Number	Description
PPC-315-RJ60A	Intel Celeron J6412 Fanless Panel PC with 15" XGA LED backlight, resistive touch control, assembled in China
PPC-315-PJ60A	Intel Celeron J6412 Fanless Panel PC with 15" XGA LED backlight, Projected Capacitive Multi-touch control, assembled in China
PPC-315-RJ60AU	Intel Celeron J6412 Fanless Panel PC with 15" XGA LED backlight, resistive touch control, assembled in Taiwan
PPC-315-PJ60AU	Intel Celeron J6412 Fanless Panel PC with 15" XGA LED backlight, Projected Capacitive Multi-touch control, assembled in Taiwan
PPC-300EHL-HDD	Bracket module for 2.5" SSD/HDD installation
96PSA-A90W190T-3	A/D 100-240V 90W 19V C6 TERMINAL 2 PIN 62368
PPC-WLAN-C1E	M.2 Wi-Fi Module with Antenna cable support 2T2R
PPC-ARM-A03	ARM VESA Standard (A-CLEVER)
PPC-174T-WL-MTE	Wall mount kit
PPC-Stand-A1E	Stand
1700001524	Power cord 3P UL 10A 125V 1.8M
170203183C	Power cord 3P Europe (WS-010+083) 183cm
1700008921	Power cord 3P/3P 1.8M PSE
96CB-POWER-B-1.8MB	Power code 3P CCC(China) 1.8M

## I/O View



- A. Power Switch
- B. DC-In
- C. 2 x USB 2.0
- D. 2 x USB 3.0
- E. 1 x Type C
- F. 1 x HDMI
- G. 2 x LAN
- H. 1 x RS-232/422/485
- I. 1 x RS-232

Please note: If some optional modules are offered with the system, additional system certificates may be required in certain regions/countries. Please contact Advantech for certificate compliance.