

## Box PC Series-1A2 Intel® Celeron® J6412



- Intel® Celeron® J6412 (2.60 GHz)
- 4 to 16 GB RAM
- 4x COM, 6x USB, Wifi, Bluetooth
- 12-pin screw terminal: DC, RS232, RS485, 5x GPIO
- Die-cast aluminum housing
- Fanless and compact
- Operating temperature -10 °C up to +60 °C

<https://www.wachendorff-prozesstechnik.de/en/BPC002-A2>

### Description

#### WACHENDORFF Series-1 Box PC

These robust X86 Box PCs, equipped with Intel Celeron processors, have been specially developed for demanding automation applications such as edge computing. They offer a choice of 4, 8 or 16 GB RAM and various interfaces, including 4x COM, 6x USB, WLAN and Bluetooth. The industrial design made of aluminum with optimal heat dissipation ensures reliable operation, even under high load. In combination with our Box PCs, displays offer an interface to the machine that is detached from the actual computing unit. This enables central placement of the box PC and user-friendly positioning of the displays directly by the operator.

### Product details

Power supply:	Hollow plug 5,5 x 2,5 mm: 12 VDC up to 36 VDC Screw terminal: 12 VDC up to 36 VDC
Power consumption:	15W
Processor:	Intel® Celeron® J6412 (2,60 GHz)
RAM:	Max. 16GB
SSD/HDD:	Max. 1 TB Standard: mSATA Optional: M.2 NVMe
Interfaces:	USB: 4 x USB 2.0 Typ A, 2 x USB 3.0 Typ A Serial: 4x RS-232 DB-9 (RS-485/422 on request) Ethernet: 2x RJ-45 Gigabit Ethernet (galvanically isolated) Screw terminal: RS232, RS485, 5x GPIO WLAN: 1x IEEE 802.11a/b/g/n 1x Bluetooth Display: 1x HDMI, 1x VGA Audio: 1x Audio In/Out, 3,5 mm jack
Expansion slots:	no
Housing:	Die-cast aluminium housing
Mounting:	Wall mounting Desktop
Protection class:	IP30, at the side IP2X
Dimensions (WxHxD):	200 mm x 188,6 mm x 51,3 mm
Weight:	approx. 1.9 kg
Certifications:	CE, RoHS, FCC, REACH

Environmental conditions:	Operation: -10 °C to +60 °C, 95 %rH non-condensing Storage: -20 °C to +70 °C, 95 %rH non-condensing
Operating systems:	Windows® 10 IoT LTSC Windows® 11 IoT LTSC Linux
Scope of delivery:	1 x device 1 x installation guide
Customs tariff number:	847 15 000
Manufacturer:	Wachendorff Prozesstechnik GmbH & Co. KG

### Products Order no.

BPC002-A2	Box PC Series-1A <small>Intel® Celeron®</small>
PPC-PWRADAP_01_24VDC2.5A	External power supply unit for Celeron and Intel Core 6./7. Gen. Panel-PC, 230VAC to 24VDC with hollow connector and C14 plug
PPC-PWRCRD_01	Mains cable / connection cable E+F CEE 7/7 to C13 1.5 m

### Accessories Order no.

ETHSWG5C	5-way Ethernet switch, Gigabit, unmanaged
ETHSWG8C1	8-port Ethernet switch, Gigabit, unmanaged
KABETH10	Patch cable, RJ45 UTP CCA, CAT5e white, 0.3 m
KABETH11	Patch cable, RJ45 UTP CCA, CAT5e white, 1 m
KABETH12	Patch cable, RJ45 UTP CCA, CAT5e white, 2 m
IPC_DIO_2P	2-pin connector plug, digital input
PPC-Stand_01	Industrial monitor/display stand, VESA 100x100, black
PPC-Stand_02	Industrial monitor/display stand, VESA 100x100, silver
WLANANT20	Magnetic base antenna with SMA-R connector 2.4 GHz@2 dBi with 1.8 m cable
WLANANT22	Antenna with screw mounting and SMA-R connector 2.4 GHz@2 dBi, 2 m cable

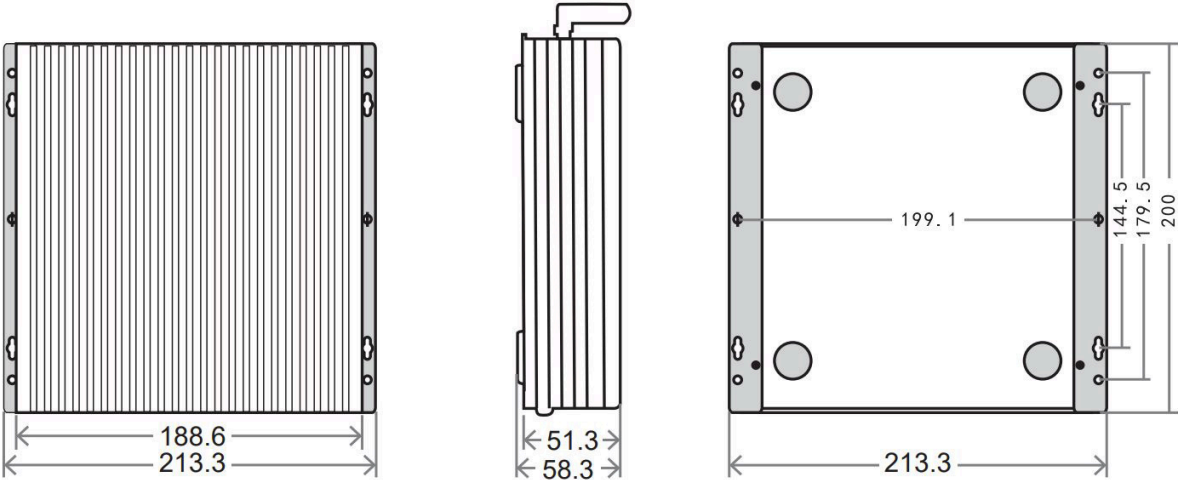
---

WLANANT55	Magnetic base antenna with RP-SMA connector 2.4 GHz@5 dBi with 1.8 m cable
-----------	---

---

**Drawings**

**Dimensions (mm)**





Wachendorff Prozesstechnik GmbH & Co. KG  
Industriestrasse 7 • 65366 Geisenheim  
Germany

Phone: +49 (0) 67 22 / 99 65 - 20  
E-Mail: [wp@wachendorff.de](mailto:wp@wachendorff.de)  
[www.wachendorff-prozesstechnik.de](http://www.wachendorff-prozesstechnik.de)

