

Main Features

- Rich gallery of symbols and objects
- Use the interface clearly and intuitive
- Develop projects with easy to reach functions and properties
- Support various automation protocols
- Multi-language support
- Allow users to visit anywhere and anytime
- Password supports alphanumeric input.
- Panel or VESA 75mm x 75 mm mount, IP65 front bezel
- ESD Protection : Level 4 (Contact Discharge 8KV, Air-Gap Discharge 15KV), Class A

Product Overview

nHMI is a visualization solution, and the compiled program can run the HMI interface more easily. Tabs in the UI make developing projects straightforward. You can easily access functions and properties with just a few clicks.

Highlight

- Multilanguage applications. Easily create and manage your applications in multiple languages to meet global requirements. Far east languages are supported. Tools available in nHMI Developer support easy third-party translations and help reducing development and maintenance costs of the application
- Data display in numerical, text, bar graph, analog gauges and graphic image formats
- Rich set of state-of-the-art HMI features: data acquisition, alarm handling, scheduler and timed actions (daily and weekly schedulers, exception dates), recipes, users and passwords, e-mail and RSS feeds, rotating menus
- Includes support for a wide range of communication drivers for factory and building automation systems
- Multiple drivers communication capability
- Off-line simulation of the HMI application with nHMI Developer
- Powerful scripting language for automating HMI applications. Script debugging improves efficiency in application development
- Rich gallery of symbols and objects
- Project templates

Specifications

CPU Support

- ARM 9 (400 MHz)

Main Memory

- 128MB SDRAM

Display

- 7" TFT, 800 x 480
- Luminance 300 (cd/m²)
- View angle 140/120 (H/V)
- Backlight Lifetime 20,000 hours
- Contrast ratio 500:1

Net Weight(Kgs)

- 0.68 Kg

I/O Interface

- 1 x USB 1.1 host Type A
- 1 x USB 2.0 device Type B
- 2 x RS232/422/485, COM1, COM2
- 1 x RS232/485, COM3
- 1 x 10/100 Mbit Ethernet Port
- 1 x SD Card Slot

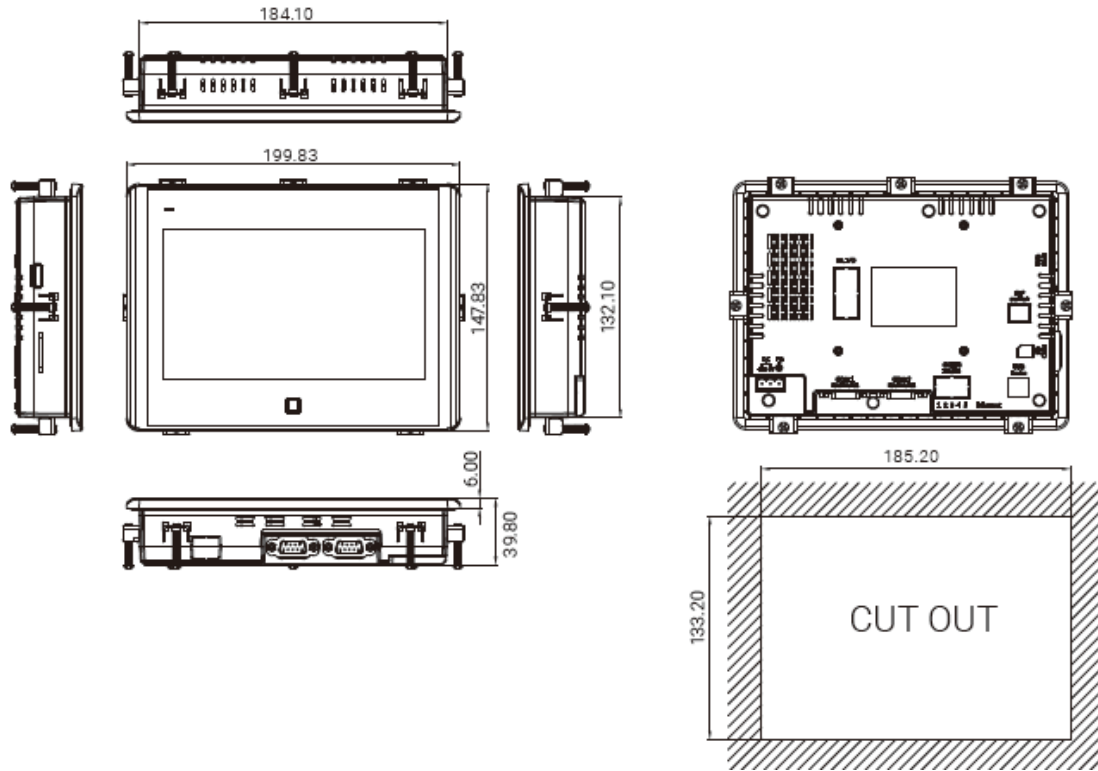
Touch Screen

- 4-wire resistive touch

Power

- 19.2 ~ 28.8V Isolated Power

Dimension Drawing



Power Requirements

- 19.2 ~ 28.8V Isolated Power

Dimensions

- 199.8mm (W) x 39.8 mm (D) x 147.8 mm (H)

Mounting

- Panel or VESA 75 mm x 75 mm mount

Cut-out

- 185.2 mm(W) x 113.2 mm(H)

Construction

- Painted Plastic IP65 front bezel

Environment

- Operating temperature:
Ambient with air flow: 0°C to 50°C
- Storage temperature: -20°C to 60°C
- Relative humidity: 10% to 90% @ 40°C, (non-condensing)
- SED protection:

Level 4 (Contact Discharge 8KV, Air-Gap Discharge 15KV), Class A

Certifications

- CE
- FCC
 - EN 61000-6-4
 - EN 61000-6-2

Ordering Information

- **nHMI-07L(P/N: 79NH007L01X00)**
7" TFT 800 x 480 fan-less HMI with ARM9 (400 MHz) CPU, 128MB RAM, 128M Flash, resistive touch screen, Ethernet, 19.2 ~ 28.8V isolated power, painted plastic chassis and IP65 front bezel