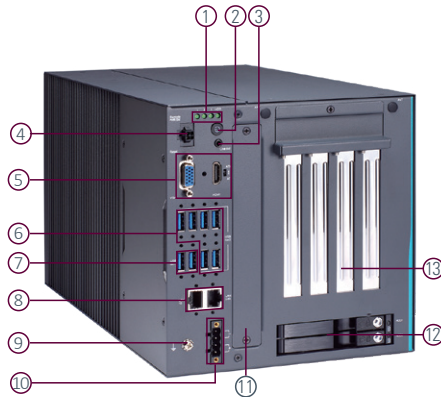


IPC970

Industrial System with LGA1200 Socket Intel® Xeon® or 10th Gen Intel® Core™ i7/i5/i3 Processor, Intel® W480E, Front-access I/O, and PCIe Slots



1. 1 x HDD/SSD access LED & 3 x User's LED
2. Power on/off button with LED
3. Line-out
4. Remote power switch & reset switch
5. VGA, HDMI & AT/ATX selectable switch
6. 6 x USB 3.2 Gen 2
7. 2 x USB 3.2 Gen 1
8. 2 x LAN
9. Ground terminal
10. 4-pin terminal block
11. Flexible system I/O window
12. 2 x 2.5" SSD/HDD bay
13. Expansion slots



Features

- Intel® Xeon® or 10th Gen Intel® Core™ i7/i5/i3 processor (Cometlake-S), up to 80W*
- Intel® W480E chipset
- Offers up to 400W of power for the accelerator card
- Supports M.2 Key E slot for Wi-Fi connection
- Supports power-on delay function
- Supports TPM 2.0
- Supports Intel® RAID
- Supports Intel® AMT

Specifications

Standard Color	Sliver black	
Construction	Aluminum extrusion heavy-duty cold-rolled steel	
Processor	CPU Level	Intel® Xeon® and 10th Gen Intel® Core™ i7/i5/i3 processors (Cometlake-S), up to 80W*
	System Chipset	Intel® W480E
System Memory	4 x DDR4-2933 MT/s ECC or non ECC U-DIMM socket, up to 128GB	
System I/O	Ethernet	1 x 2.5GbE LAN (Intel® I225-LM) 1 x GbE LAN (Intel® I219-LM) with Intel® AMT
	USB	6 x USB 3.2 Gen 2 (10G) 2 x USB 3.2 Gen 1 1 x USB 2.0 (internal, 180D Type-A for license key)
	Display	1 x VGA supporting a resolution of 1920 x 1200 1 x HDMI supporting a resolution of 4096 x 2304 @30Hz
	Audio	1 x Line-out
	Others	1 x power on/off button with LED (ATX) 1 x remote power switch 1 x AT/ATX selectable switch (default ATX mode) 1 x 4-pin terminal block
TPM	TPM 2.0	

Specifications

Expansion Interface	Slot 1-2: PCIe x8 (x4 signal) Slot 3: PCIe x16 Slot 4: Blank 1 x full-size PCI Express Mini Card slot with SIM slot (USB & PCIe interface) 1 x M.2 Key E 2234 socket
Storage	2 x SSD/HDD drive bay (7/9.5 mm height, external) 1 x SSD/HDD drive bay (optional, 7/9.5/15 mm height, internal) 1 x M.2 Key M 2280 socket (PCIe Gen 3 x4) for NVMe SSD
System Indicators	1 x HDD/SSD access LED 3 x user's LED
Power Input	Type: ATX/AT Input: 24 VDC (uMin=19V/uMax=30V)
Operating Temperature	-10°C to +60°C (+14°F up to +140°F) with W.T. HDD/SSD*
Storage Temperature	-20°C to +80°C (-4°F to +176°F)
Relative Humidity	10% to 90% relative humidity, non-condensing
Dimensions (W x D x H)	190 x 192 x 360 mm (7.48" x 7.56" x 14.17")
Weight (net/gross)	9.8 kg (21.61 lb)/7.3 kg (16.09 lb)
Certifications	CE (EN 61000-6-4/EN 61000-6-2)/FCC
OS Support	Windows 10, Windows 11, Windows 10 IoT, Windows 11 IoT, and Linux OS

*Please refer to the user manual for the list of CPU support and the operating temperature of the system.

Ordering Information

System

IPC970-10W-F5E1A (P/N: E26G970102)	Industrial system with Intel® W480 PCH, blank flexible I/O cover, and 3 PCIe slots, without Axiomtek logo
---------------------------------------	---

Flexible System I/O Module

AX93511 (P/N: E29R127101)	4 x RS-232/422/485 module (default RS-232)
AX93512	2 x RS-232/422/485 with isolated 1.5kVDC & 8-in/8-out with isolated 1.5kVDC DIO module (project-based support)
AX93516	4 x RS-232/422/485 with isolated 2kVDC module (project-based support)
AX93519	1 x GbE LAN (Intel® I210-AT) + 2 x RS-232/422/485 + 2 x USB 3.0 (USB 2.0 signal) module (project-based support)

Optional Accessory

2.5" SATA HDD/SSD	
DDR4-2933 MT/s ECC or non ECC U-DIMM	
E29R127138	Wall mount bracket kit
	Internal SSD/HDD bracket kit (project-based support)
	Memory holder bracket (project-based support)

Power Protection

DC Version

OVP (over voltage protection)
OCP (over current protection)
Reverse protection

Packing List

1 x IPC970 unit
1 x screw pack
4 x foot pad
1 x CPU grease
1 x terminal block
1 x remote power switch cable
1 x extension holder bracket kit
2 x HDD spacer
2 x graphics card power cable
1 x NVMe SSD bracket kit

Dimensions

