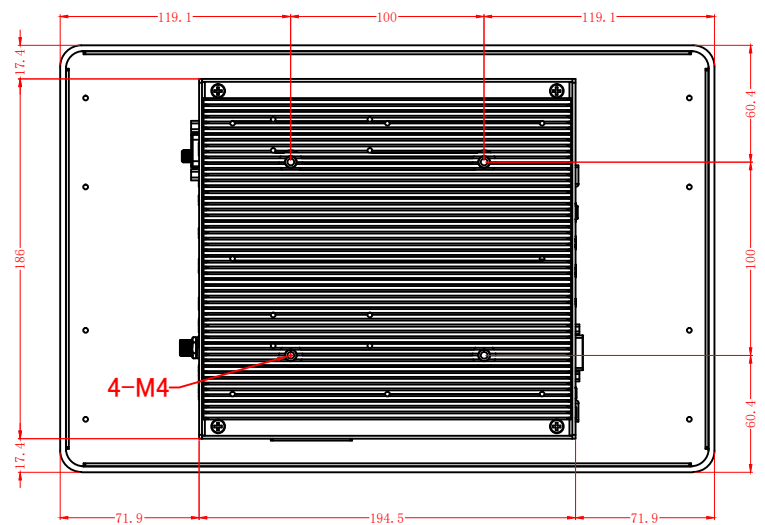
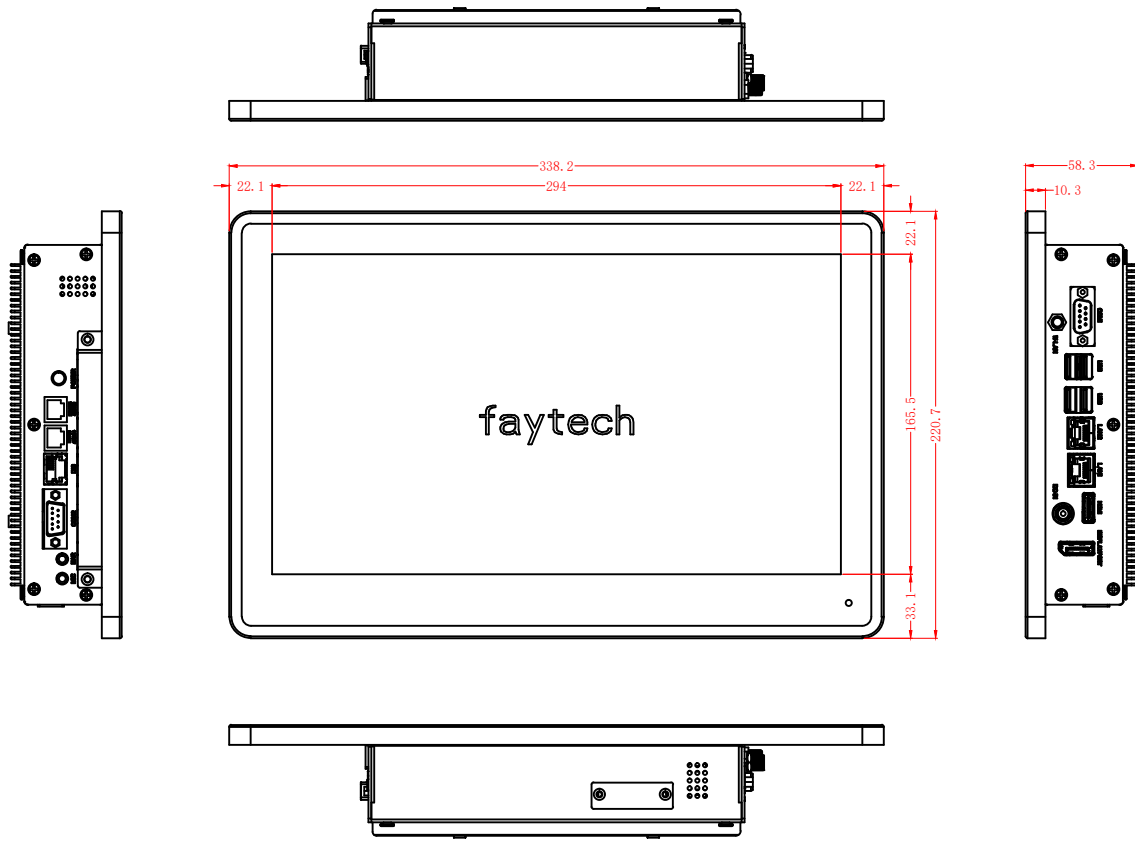

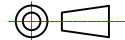


6		7		8	
No.	Rev.	Revision Record		Date	
△					

A
B
C
D
E
F

A
B
C
D
E
F



General Tolerance	ISO 2768-lc	 深圳市飞帆泰科技有限公司 SHENZHEN FEIFANTAI TECHNOLOGY CO., LTD			
UNIT	mm	Description		13.3inch-i5	
Scale	1:1	Designed	Noah	Date	2020-03-18
REV.	A0	Checked		Date	
		Approved		Date	

F

F

1 2 3 4 5 6 7 8