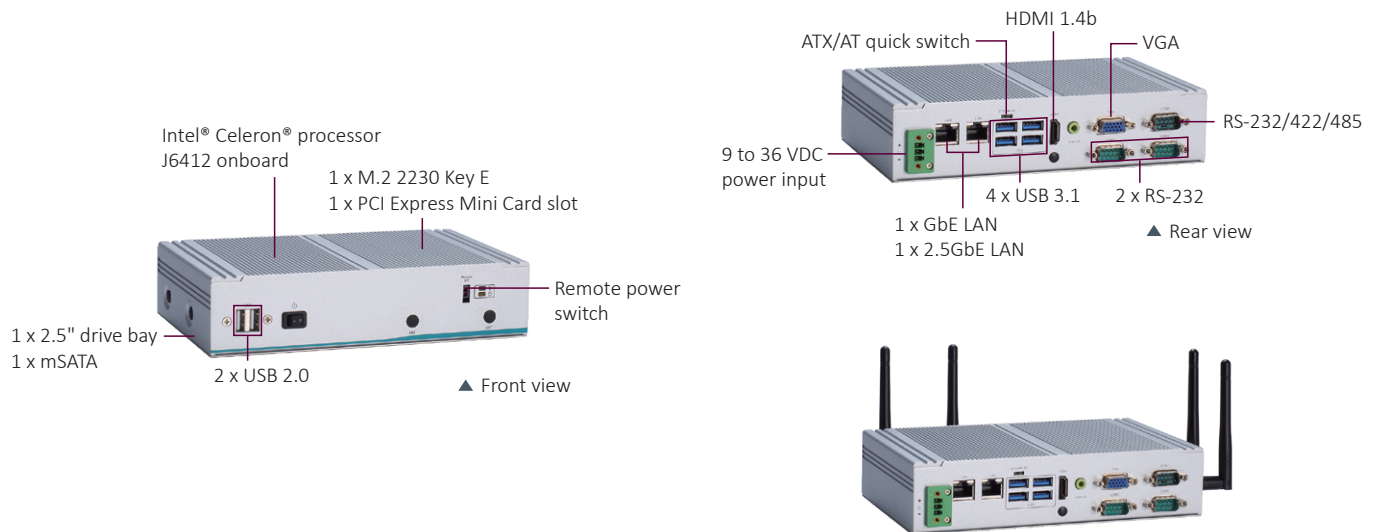


eBOX626A

Fanless Embedded System with Intel® Celeron® J6412 2.0 GHz, HDMI, VGA, 6 USB, 2 LAN, 3 COM, and 9 to 36 VDC



Features

- Intel® Celeron® processor J6412 quad-core onboard
- -20 °C to +60 °C operating temperature
- 1 DDR4-3200 SO-DIMM slot, up to 32 GB
- 1 HDMI and 1 VGA for dual-view display
- Trusted Platform Module (TPM) 2.0 onboard
- M.2 Key E for Wi-Fi/Wi-Fi 6 connection
- 9 to 36 VDC Wide range power input

Specifications

Standard Color	Silver
Construction	Aluminum extrusion and heavy-duty steel, IP40
CPU	Intel® Celeron® processor J6412, up to 10W
System Memory	1 x 260-pin DDR4-3200 SO-DIMM, up to 32GB
Chipset	SoC integrated
BIOS	AMI

Specifications

System I/O Outlet	1 x audio (Line-out) 1 x HDMI 1.4b (lockable) 1 x VGA 1 x RS-232/422/485 (COM1) 2 x RS-232 (COM2/3) 4 x USB 3.1 Gen 2 2 x USB 2.0 1 x 10/100/1000/2500 Mbps Ethernet (Intel® I226-LM) 1 x 10/100/1000 Mbps Ethernet (Intel® I210-AT) 1 x Phoenix type VDC power input connector 1 x ATX power switch 1 x ATX/AT quick switch 1 x remote power switch 4 x antenna opening
Watchdog Timer	255 levels, 1 to 255 sec.
Storage	1 x 2.5" SATA HDD drive bay (up to 9.5 mm height) 1 x mSATA (enabled in BIOS setting)
Expansion Interface	1 x full-size internal PCI Express Mini Card slot (mSATA/SIM) (USB + PCIe + SATA) 1 x M.2 2230 Key E (PCIe + USB)
TPM	TPM 2.0
System Indicator	1 x green LED for system power-on 1 x yellow LED for HDD/SSD active
Power Supply	9 to 36 VDC
Operating Temperature	-20°C to +60°C (-4°F to +140°F) (with W.T. SSD/DRAM)
Relative Humidity	10% to 95% relative humidity, non-condensing
Shock Vibration	IEC 60068-2-27 (with SSD: 50G, half-sine, and 11 ms duration)
Vibration Endurance	IEC 60068-2-64 (with SSD: 3Grms STD, random, 5 to 500 Hz, and 1 hr/axis)
Dimensions (W x D x H)	200 x 120 x 46 mm (7.87" x 4.72" x 1.81")
Weight (net/gross)	1.2 kg (2.43 lb)/1.8 kg (3.97 lb)
Certifications	CE, FCC Class A, and UKCA
EOS Support	Win10 IoT, Win11 IoT, and Linux

* W.T.: Wide Temperature. All W.T. supported products have to be sorted by Axiomtek.

Ordering Information

Standard

eBOX626A-EL-C1 (PN : E36K626A00)	Fanless embedded system with Intel® Celeron® J6412 2.0 GHz, HDM, VGA, 6 USB, 2 LAN, 3 COM, and 9 to 36 VDC
-------------------------------------	--

Optional

2.5" SATA HDD	64GB or above
2.5" SATA SSD	100GB or above
DDR4 SO-DIMM	8GB to 32GB
mSATA	64MB or above
E29R129100	Wall mount kit
E29R129114	DIN-rail kit
E29R129113	VESA mount kit
	Wi-Fi/LTE module

* Specifications and certifications may vary based on different requirements.

Packing List

- 1 x screws pack
- 3 x DRAM thermal pad
- 1 x DRAM thermal pad bracket
- 1 x remote power switch cable
- 4 x pre-install foot pad
- 1 x 3-pin terminal block connector

Power Protection

AC Version

- OVP (over voltage protection)
- UVP (under voltage protection)
- SCP (short circuit protection)

Dimensions

