

## Box PC Series-1B2 Intel® Core™ i3, i5, i7 - 12 generation



- Intel® Core™ i3, i5, i7 - 12 generation
- 4, 8, 16 or 32 GB RAM
- 4x COM, 6x USB, Wifi, Bluetooth
- 12-pin screw terminal: 1x RS232, 1x RS485, 5x GPIO
- Die-cast aluminum housing
- Fanless and compact
- Operating temperature -10 °C up to +60 °C

<https://www.wachendorff-prozesstechnik.de/en/BPC002-B2>

### Description

#### WACHENDORFF Series-1 Box PC

These robust X86 Box PCs, equipped with 12th generation Intel Core i processors, have been specially developed for demanding automation applications such as edge computing. They offer a choice of 4, 8, 16 or 32 GB RAM and various interfaces, including 6x COM, 6x USB, WLAN and Bluetooth. The industrial design made of aluminum with optimal heat dissipation ensures reliable operation, even under high load.

In combination with our box PCs, displays offer an interface to the machine that is detached from the actual computing unit. This enables central placement of the box PC and user-friendly positioning of the displays directly by the operator.

### Product details

|                     |   |
|---------------------|---|
| Power supply:       | Hollow plug 5,5 x 2,5 mm: 12 VDC up to 36 VDC<br>Screw terminal: 12 VDC up to 36 VDC  |
| Power consumption:  | 15W   |
| Processor:          | Intel® Core™ i3, i5, i7 - 12th Generation<br>I3-1215U<br>I5-1235U<br>I7-1255U   |
| RAM:                | Max. 32GB   |
| SSD/HDD:            | Max. 1 TB<br>Standard: M.2 NVMe<br>Optional: mSATA  |
| Interfaces:         | USB: 4 x USB 2.0 Typ A, 2 x USB 3.0 Typ A<br>Serial: 4x RS-232 DB-9 (RS-485/422 on request)<br>Ethernet: 2x RJ-45 Gigabit Ethernet (galvanically isolated)<br>Screw terminal: RS232, RS485, 5x GPIO<br>WLAN: 1x IEEE 802.11a/b/g/n<br>1x Bluetooth<br>Display: 1x HDMI, 1x VGA<br>Audio: 1x Audio In/Out, 3,5 mm Jack |
| Expansion slots:    | no  |
| Housing:            | Die-cast aluminium housing  |
| Mounting:           | Wall mounting<br>Desktop  |
| Protection class:   | IP30, at the side IP2X  |
| Dimensions (WxHxD): | 200 mm x 188,6 mm x 51,3 mm   |
| Weight:             | approx. 1.9 kg  |

|                        |  |
|------------------------|--|
| Certifications:        | CE, RoHS, FCC, REACH   |
| Ambient conditions:    | Operation: -10 °C to +60 °C, 95 %rH non-condensing<br>Storage: -20 °C to +70 °C, 95 %rH non-condensing |
| Operating systems:     | Windows® 10 IoT LTSC<br>Windows® 11 IoT LTSC<br>Linux  |
| Scope of delivery:     | 1 x device<br>1 x installation guide   |
| Customs tariff number: | 847 15 000   |
| Manufacturer:          | Wachendorff Prozesstechnik GmbH & Co. KG   |

### Products Order no.

|                        |  |
|------------------------|--|
| BPC002-B2              | Box-PC Series-1B <sup>Intel® Core®</sup>   |
| PPC-PWRADAP_03_24VDC5A | External power supply unit for Intel Core 12. Gen. Panel-PC, 230VAC to 24VDC, hollow connector and C14 Stecker |
| PPC-PWRCRD_01          | Mains cable / connection cable E+F CEE 7/7 to C13 1.5 m  |

### Accessories Order no.

|              |  |
|--------------|--|
| ETHSWG5C     | 5-way Ethernet switch, Gigabit, unmanaged                                    |
| ETHSWG8C1    | 8-port Ethernet switch, Gigabit, unmanaged                                   |
| KABETH10     | Patch cable, RJ45 UTP CCA, CAT5e white, 0.3 m                                |
| KABETH11     | Patch cable, RJ45 UTP CCA, CAT5e white, 1 m                                  |
| KABETH12     | Patch cable, RJ45 UTP CCA, CAT5e white, 2 m                                  |
| IPC_DIO_2P   | 2-pin connector plug, digital input  |
| PPC-Stand_01 | Industrial monitor/display stand, VESA 100x100, black                        |
| PPC-Stand_02 | Industrial monitor/display stand, VESA 100x100, silver                       |
| WLANANT20    | Magnetic base antenna with SMA-R connector<br>2.4 GHz@2 dBi with 1.8 m cable |

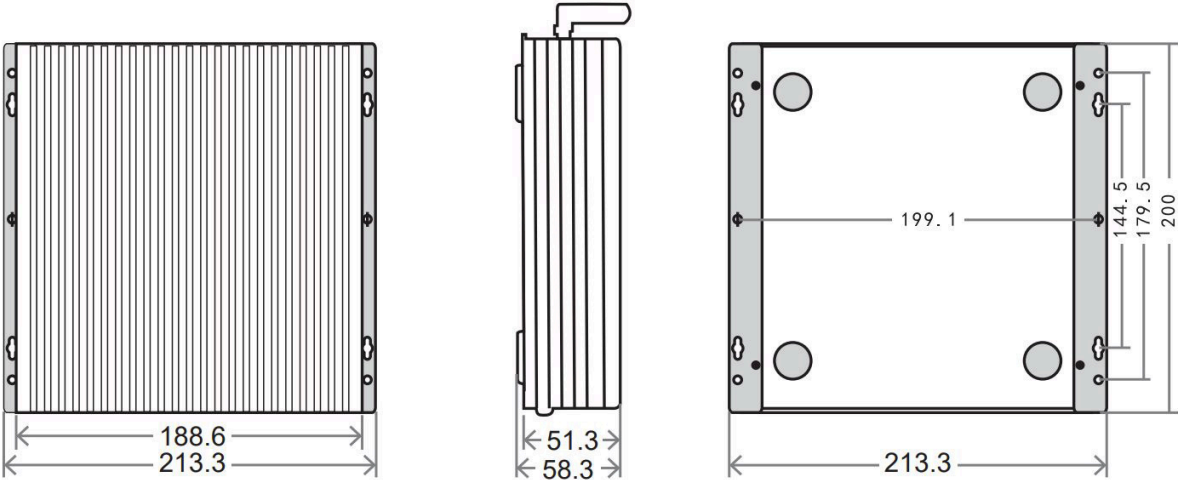
---

|           |   |
|-----------|---|
| WLANANT22 | Antenna with screw mounting and SMA-R connector<br>2.4 GHz@2 dBi, 2 m cable   |
| WLANANT55 | Magnetic base antenna with RP-SMA connector<br>2.4 GHz@5 dBi with 1.8 m cable |

---

**Drawings**

**Dimensions (mm)**





Wachendorff Prozesstechnik GmbH & Co. KG  
Industriestrasse 7 • 65366 Geisenheim  
Germany

Phone: +49 (0) 67 22 / 99 65 - 20  
E-Mail: [wp@wachendorff.de](mailto:wp@wachendorff.de)  
[www.wachendorff-prozesstechnik.de](http://www.wachendorff-prozesstechnik.de)

