

Box PC Series-1B1 Intel® Core™ i3, i5, i7 - 7 - 10 generation



- Intel® Core™ i3, i5, i7 - 7 - 10 generation
- 4 to 64 GB RAM
- 6x COM, 6x USB, Wifi, Bluetooth
- Die-cast aluminum housing
- Fanless and compact
- Operating temperature -10 °C up to +60 °C

<https://www.wachendorff-prozesstechnik.de/en/BPC002-B1>

Description

WACHENDORFF Series-1 Box PC

These robust X86 Box PCs, equipped with Intel Core processors, have been specially developed for demanding automation applications such as edge computing. They offer a choice of 4 to 64 GB RAM and various interfaces, including 6x COM, 6x USB, WLAN and Bluetooth. The industrial design made of aluminum with optimal heat dissipation ensures reliable operation, even under high load.

In combination with our box PCs, displays offer an interface to the machine that is detached from the actual computing unit. This enables central placement of the box PC and user-friendly positioning of the displays directly by the operator.

Product details

Power supply: Hollow plug 5,5 x 2,5 mm: 12 VDC up to 36 VDC
Screw terminal: 12 VDC up to 36 VDC

Power consumption: 15W

Processor: Intel® Core™ i3, i5, i7 - 7th - 10th Generation

I5-7200U
I7-7500U
I3-8145U
I5-8265U
I7-8565U
I3-10110U
I5-10210U
I7-10510U

RAM:	I3-8145U	4 bis 64 GB
	I3-10110U	4 bis 64 GB
	I5-7200U	4 bis 32 GB
	I5-8265U	4 bis 64 GB
	I5-10210U	4 bis 64 GB
	I7-7500U	4 bis 32 GB
	I7-8565U	4 bis 64 GB
	I7-10510U	4 bis 64 GB

SSD/HDD: Max. 1 TB
Standard: mSATA
Optional: M.2 NVMe

Interfaces: USB: 4 x USB 2.0 Typ A, 2 x USB 3.0 Typ A
Seriell: 6x RS-232/485 DB-9
Ethernet: 2x RJ-45 Gigabit Ethernet (galvanically isolated)
WLAN: 1x IEEE 802.11a/b/g/n
1x Bluetooth
Display: 1x HDMI, 1x VGA
Audio: 1x Audio In/Out, 3,5 mm jack

Expansion slots: no

Housing: Die-cast aluminium housing

Mounting: Wall mounting
Desktop

Protection class: IP30, at the side IP2X

Dimensions (WxHxD): 200 mm x 188,6 mm x 51,3 mm

Weight: approx. 1.9 kg

Certifications: CE, RoHS, FCC, REACH

Ambient conditions: Operation: -10 °C to +60 °C, 95 %rH non-condensing
Storage: -20 °C to +70 °C, 95 %rH non-condensing

Operating systems: Windows® 10 IoT LTSC
Windows® 11 IoT LTSC
Linux

Scope of delivery: 1 x device
1 x installation guide

Customs tariff number: 847 15 000

Manufacturer: Wachendorff Prozesstechnik GmbH & Co. KG

Products Order no.

BPC002-B1	Box-PC Series-1B <small>Intel® Core®</small>
PPC-PWRADAP_02_24VDC4A	External power supply unit for Intel Core 8./10. Gen. Panel-PC, 230VAC to 24VDC, hollow connector and C14 Stecker
PPC-PWRCRD_01	Mains cable / connection cable E+F CEE 7/7 to C13 1.5 m

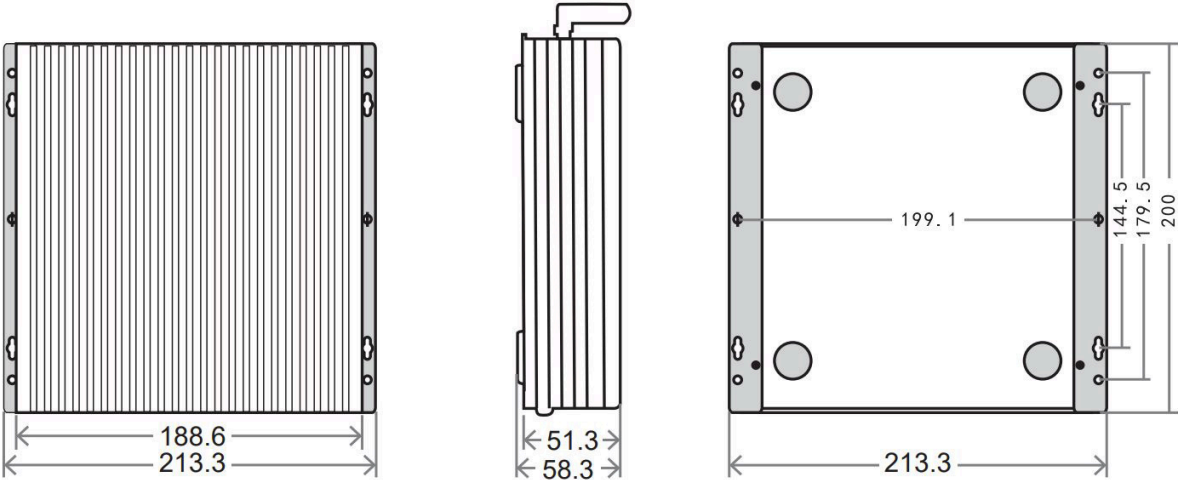
Accessories Order no.

ETHSWG5C	5-way Ethernet switch, Gigabit, unmanaged
ETHSWG8C1	8-port Ethernet switch, Gigabit, unmanaged

KABETH10	Patch cable, RJ45 UTP CCA, CAT5e white, 0.3 m
KABETH11	Patch cable, RJ45 UTP CCA, CAT5e white, 1 m
KABETH12	Patch cable, RJ45 UTP CCA, CAT5e white, 2 m
IPC_DIO_2P	2-pin connector plug, digital input
PPC-Stand_01	Industrial monitor/display stand, VESA 100x100, black
PPC-Stand_02	Industrial monitor/display stand, VESA 100x100, silver
WLANANT20	Magnetic base antenna with SMA-R connector 2.4 GHz@2 dBi with 1.8 m cable
WLANANT22	Antenna with screw mounting and SMA-R connector 2.4 GHz@2 dBi, 2 m cable
WLANANT55	Magnetic base antenna with RP-SMA connector 2.4 GHz@5 dBi with 1.8 m cable

Drawings

Dimensions (mm)





Wachendorff Prozesstechnik GmbH & Co. KG
Industriestrasse 7 • 65366 Geisenheim
Germany

Phone: +49 (0) 67 22 / 99 65 - 20
E-Mail: wp@wachendorff.de
www.wachendorff-prozesstechnik.de

