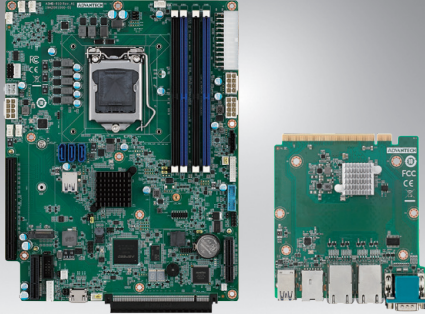


ASMB-610

LGA 1200 Intel® Xeon® W & 10th Gen. Core™ Proprietary Server Board with 4 x DDR4, 1 x PCIeX16, 2 x PCIeX4, 5 x USB 3.2, 3 x SATA 3, Quad LANs and IPMI

NEW



Features

- Proprietary server board with LGA 1200 Intel® Xeon® W & 10th Gen. Core™ i9/i7/i5/i3 processors
- Compatible with HPC-61 series chassis
- DDR4 2933/2666/2400 MHz ECC/Non-ECC UDIMM up to 128 GB
- One PCIe x16 slot or two PCIe x8 slots support FH/10.5" Length Cards
- Two PCIeX4 slots support low profile expansion cards
- 3x SATA 3 ports and 5x USB 3.2 ports
- One M.2 2280/2242 (SATA / PCIe compatible)
- Quad LAN with Intel I350
- Flexible IO board design

CE FCC

Note: Supported OS including Windows 10 (64-bit) and Server 2019 (64-bit) have been validated.

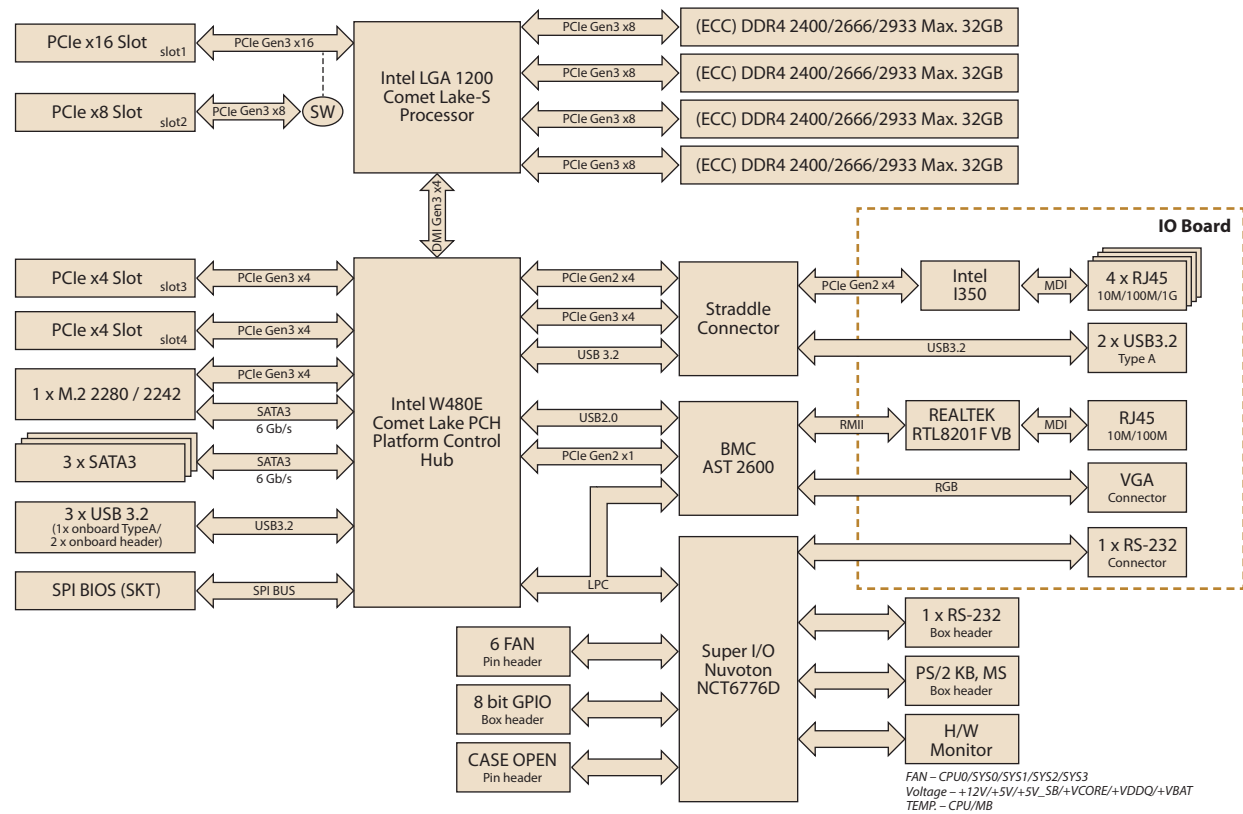
Specifications

Form Factor		Proprietary 205 x 265 mm (8.07" x 10.43")
Processor System	Socket	Intel LGA 1200
	CPU type	Intel® Xeon® W and 10th Generation Core™ i3/i5/i7/i9 series (TDP up to 65W)
Core Logic	Chipset	Intel W480E chipset
Memory	Total slots	4 (2 DIMM per channel)
	Capacity	128GB
	Memory type	DDR4 ECC/Non-ECC 2933/2666/2400 MHz UDIMM (288-pin)*
	Memory size	4 GB, 8 GB, 16 GB, 32GB
Expansion Slots	Total PCIe slots	4
	Left Riser Card Slot 1	FH/10.5" Length, PCIe x8 slot (0 or x8 link), signal from CPU
	Left Riser Card Slot 2	FH/10.5" Length, PCIe x16 slot (x8 or x16 link), signal from CPU
	Middle Riser Card Slot 3	HH/HL, PCIe x4 slot (x4 link), signal from PCH
	Internal Riser Card Slot 4	HH/HL, PCIe x4 slot (x4 link), signal from PCH
Graphics	VGA	Aspeed AST 2600
Storage	SATA controller	Intel® W480E: 3 x SATA 3 (6Gb/s) support software RAID 0,1,5,10
	SAS controller	-
Networking	GbE	4 x GbE (Intel I350)
Onboard I/O Connector	PSU connector	24-pin SSI power connector + 8-pin SSI 12V power connector
	USB connector	1 x USB3.2 ports (type A) + 2 x USB3.2 ports (onboard header)
	Fan header	6 (1 for CPU fan + 3 for system fan in front + 2 for system fan in right side)
	M.2	1 x M.2 2280 / 2242 (SATA/PCIe)
	SMBus	1
	Chassis intruder	1
	Front LAN LED	1
	Audio Header	-
	PS/2 Keyboard/Mouse header	1
	Serial port header	1
Rear I/O Connector	External serial port	1
	External USB port	2 (USB3.2)
	VGA port	1
	RJ-45	5 (1 port dedicated BMC)
	PS/2 Keyboard/Mouse	-
	Infiniband	-
Management Solution	Software	-
	Out of band remote management	Yes
Monitoring	CPU temperature	Yes
	System Monitoring	Yes
Watchdog Timer	Output	System reset
	Interval	Programmable 1 ~ 255 sec/min
Environment	Operating Temperature	Non-operating
		-40 ~ 85 °C
	Humidity	10% ~ 95% 10% ~ 95% (Non condensing)
Physical Characteristics	Dimension (L x H)	205 x 265 mm (8.07" x 10.43")

* ECC support please reference to CPU specification

* Some Xeon processors have no graphic support. Please check Intel specification for processor graphics availability

Block Diagram



Ordering Information

Part Number	Chipset	Memory	GbE/10GbE LAN	IPMI	Graphics
ASMB-610-00A1	W480E	4 x DDR4 Non-ECC/ECC UDIMM	4/-	Yes	AST 2600

Packing List

Part Number	Description	Quantity
2042061000	Startup manual	1
1700024327-11	SATA data cable	2
9692622V110	IO board with 4 x GbE, 2 x USB3.2, 1 x VGA, 1 x RS-232, IPMI	1
9692610V110	L-Riser card with 1 x PCIeX16 or 2 x PCIeX8 for FH/10.5L	1
9692610V120	M-Riser card with 1 x PCIeX4 for HH/HL	1
9692610V130	I-Riser card with 1 x PCIeX4 for HH/HL	1

Optional Accessories

Part Number	Description
PCA-TPM-00B1E	TPM 2.0 module

I/O View

