

ARK-3534D-00A1AB2

Intel® Core™ 13th Gen i7 Expansion Box PC

NEW



Features

- Pre-installed Intel® Core™ i7-13700TE processor
- Triple independent display: HDMI + HDMI + Optional Display
- Pre-installed 2 x DDR5-4800 16GB SO-DIMM memory
- 9-36V_{DC} wide range power input
- Up to 3 sets 2.5" hard drive bays, support Intel® SW RAID
- Support up to 4x GbE, 8x USB, 8x COM, 2x CANBus, 16bit DIO, TPM2.0
- SUSI API, WISE-DeviceOn, Trellix and Acronis bundled
- Pre-installed Ubuntu 24.04



WISE-DeviceOn

SUSI API



Specifications

Processor	CPU	i7-13700TE
	P-core Frequency	1.1-4.8GHz
	L3 Cache	30MB
	Cores	16
	TDP	35W
	Chipset	R680E
	BIOS	AMI EFI 256Mbit
Memory	Technology	DDR5 4800 MHz
	Max. Capacity	64 GB
	Socket	2 x 262-pin ECC/nonECC SO-DIMM (Pre-installed 2 x DDR5-4800MHz 16GB)
Graphics	Chipset	Intel® UHD Graphics 770
	Graphic Engine	DirectX 12, OpenGL 4.5 HW Encode: H.265/HEVC, H.264/MPEG-4 AVC, MPEG-2, JPEG/MJPEG and VP8. HW Decode: H.265/HEVC, H.264/MPEG-4 AVC, MPEG-2, VC-1/WMV9, JPEG/MJPEG, VP8 and VP9
	HDMI	2 HDMI port, HDMI 2.0 for HD video playback, 4096x2160@60Hz
	Optional 3rd Display module	DVI-D / DP / HDMI Display Port
	Triple Display	HDMI+HDMI + 3rd display module
Ethernet	LAN1	10/100/1000 Mbps Intel i219-LM GbE, support Wake On Lan
	LAN2/3/4	10/100/1000/2500 Mbps Intel i225-LM GbE, support Wake On Lan
Audio	Interface	Realtek ALC888S, High Definition Audio, Line-out/Mic-in (switch)
Others	Watch dog Timer	255-level timer interval, setup by software
	TPM	TPM 2.0 (by optional AMO-I029A)
I/O Interface	Serial Port	4 x RS-232/422/485 port with auto flow control, 2 x RS-232 (additional COM7/8 2 x RS-232 by optional cable)
	USB	8 x USB 3.2 (4 x Gen2, 4 x Gen1) 1 x Internal USB2.0 (Optional)
	DIO	16bit DIO (by optional cable)
Expansions	CANBus	2 ports by optional cable
	M.2	1 x M2. 2230 E key and 1 x M.2 2280 B key (pre-installed 1 x 1TB SSD) with SIM holder ^{#1}
	Add-on Card Slot	2 Slot PCI + 1 Slot PCIe4 (For PCIe-1221PS-00A1E if ARK-3534D-00A1AB2) + 1 slot PCIe x16 up to dual slot (for SKY-QUAD-2000EA-16)
	Maximum card size	110mm (H) x 180mm (L)
Storage	HDD	2 x 2.5" SATAIII 15mm height HDD bay support Intel SW RAID (Up to 3 x 2.5" SATAIII HDD bays)
	NVME	1 x PCIe2 (pre-installed 1TB SSD)
Software Support	Microsoft Windows	Windows 10 /11
	Linux	Pre-installed Ubuntu 24.04
Power Requirements	Power Type	AT/ATX
	Power Input Voltage	9-36V
	Power Adapter	AC to DC, 230W (Optional)

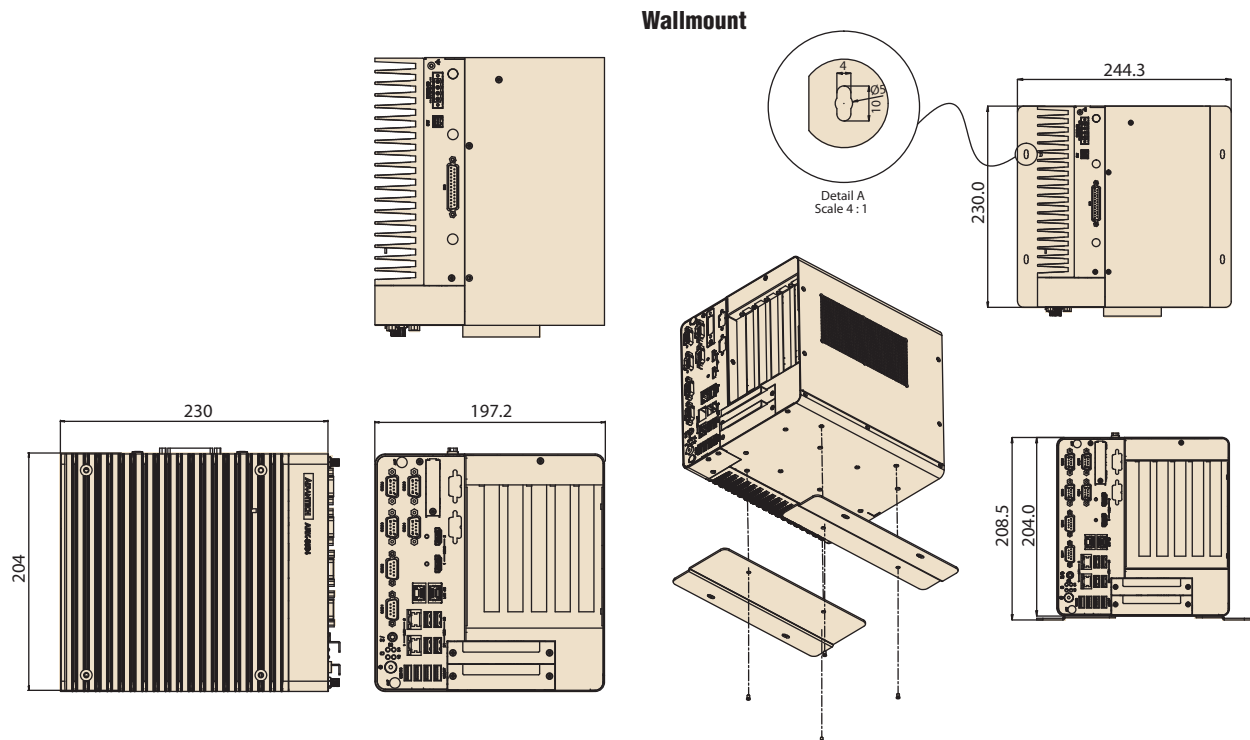
#1 SIM holder and M.2 slot are hardware interfaces for wireless communication integration only. System level RF certification is not available.

Specifications (Cont.)

Mechanical	Construction	Aluminum housing
	Mounting	Desk mounting
	Dimensions (W x H x D)	197.2 x 204 x 230 mm
	Weight	6.41 Kg
Environment	Operating Temperature	0 ~ 40° C with 0.7m/s air flow with HDD: 0 ~ 40° C with 0.7m/s air flow
	Storage Temperature	-40 ~ 85° C
	Relative Humidity	95% @ 40° C (non-condensing)
	Vibration During Operation	With SSD: 3 Grms, IEC 60068-2-64, random, 5 ~ 500 Hz, 1 hr/axis.
	Shock During Operation	With SSD: 30 G, IEC 60068-2-27, half sine, 11 ms duration
	EMC	CE/FCC Class B, CCC, BSMI
	Safety	CB, UL, CCC, BSMI

Dimensions

Unit: mm

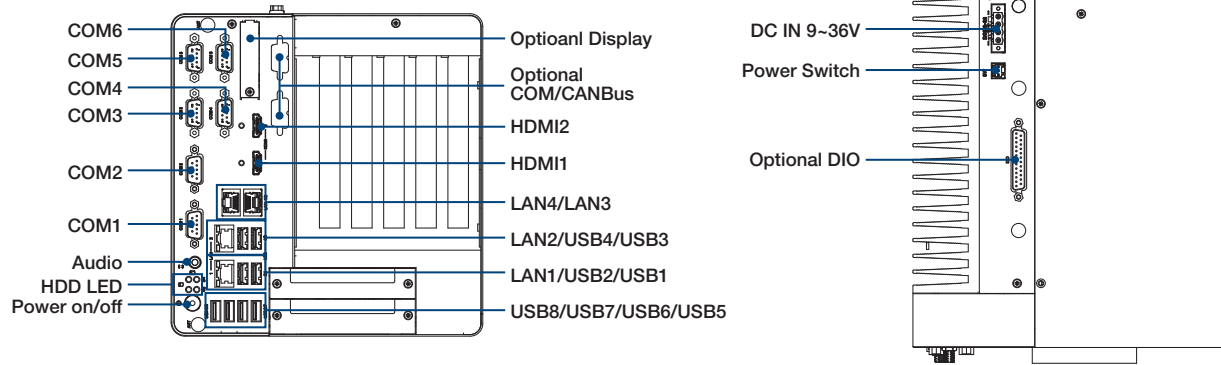


Ordering Information

Part No.	CPU	DDR5	Gbe	HDMI	Option 3rd display module	RS-232	RS-232/422/485	USB	M.2 B key	SIM	M.2 E Key	DC Input	Expansion
ARK-3534D-00A1AB2	i7-13700TE	32G	4	2	1	Up to 4	4	8	1TB SSD	1	1	9-36V	PCIex4 + 2PCI + PCIex16

PCIe x4 for PCIe-1221PS-00A1E & PCIe x16 for SKY-QUAD-2000EA-16

External I/O Mechanical Layout/Drawing



Packing List

Part Number	Description
-	ARK-3534D Unit
-	User Manual (Simplified Chinese)
-	China RoHS
-	Desk mounting kit
36WSWPDOBUND11	WISE-DeviceOn
36WSWPDOB0211	McAfee Application Control Lite/Acronis Backup 11.7 for Windows PC
PCIE-1221PS-00A1E	Dual 10G PersCard (10GBase-T) w.Intel X550
SKY-QUAD-2000EA-16	Quadro RTX 2000E Ada PCIe 16GB SSLP w/ATX BKT
XARK-DPS-150AB-15	ADP A/D 100-240V 150W 12V C14 LOCKABLE DC JACK

ARK-3534D Default SKU Option Items

Optional Item for Default SKU

Part Number	Description
96PSA-A230W24P4-3	AC to DC adapter, DC 24V 230W, -20 ~ 60 °C
1702002600	Power cable 3-pin 183cm, USA type
1702002605	Power cable 3-pin 183cm, EU type
1700032693-11	Power cable 3-pin 183cm, UK type
1700000237	Power cable, 3-Pin 183cm, PSE type
1700031864-01	16bits DIO Cable(CN : GPIO01)
1700026760-21	Internal USB Cable(CN: USB9 need additional 2 pcs of 1930008655)
1700029565-11	COM7/8 cable (add screws 193A200001*2)
1700030518-01	1 Port CANBus (add screws 193A200001*2)

ARK-3534D Optional HDD expansion Cable

Part Number	Description
1700033651-01	SATA cable for 3rd HDD/SSD (Screws 19310305C0*4pcs)

Optional Display Module

Part Number	Description
AMO-D001E	DVI-D module, support up to 1920x1080 @60Hz
AMO-D002E	DP module, support up to 4096x2160 @60Hz
AMO-D003E	HDMI module, support up to 1920x1080 @60Hz

Optional TPM Module

Part Number	Description
AMO-I029A	TPM 2.0 Infineon SLB9670V2.0