

Cellular Routers & Gateways for Industrial IoT & Enhanced Networking

5G / 4G LTE / 3G HSPA+ / UMTS / EDGE / GPRS

- Key features & Networking overview
- Platforms overview
- Detailed selection guide
- Management software
- Case studies



Newly
2023
updated

ADVANTECH

Enabling an Intelligent Planet

www.advantech.com

5G / 4G LTE / 3G HSPA+ / UMTS / EDGE / GPRS Cellular Routers & Gateways ... features and platforms overview...

Flexible, effective and secure networking

Advantech routers enhanced functionality incorporates self-diagnostics and an HW watchdog to ensure secure and consistent operation and ultra-reliable wireless connections. With multi-SIM card holders and automatic failover routers provide wireless redundancy for critical applications along with SMS/email messaging and control capability for remote alerts and reset. They support the most commonly used LAN/WAN network protocols. The goal is flexibility, effectiveness, and security in a large variety of applications.

Advantech routers are based ICR-OS operating system (Linux Kernel) that combines the simplicity of a web-based configuration with the flexibility of an open platform that allows the development of custom configuration scripts and RouterApps (software User Modules). ICR-OS serves also as a gate for router integration into additional monitoring and security software platforms – WebAccess/DMP, WebAccess/VPN, and R-SeeNet. Those platforms enhance router security of communication, remote management, and hardware/software monitoring while increasing significantly user comfort and stability in operated networks.



Networking

- DHCP: automatic IP addressing in LAN network
- NAT/PAT: IP address and port translation
- VRRP: virtual backup router function
- DynDNS client: access to the dynamic IP address
- VLAN 802.1Q: virtual LAN
- QoS: quality of service
- PPPoE Bridge: PPP over Ethernet Bridge mode
- NTP client, NTP server: time synchronization
- Dynamic routing protocols: BGP, OSPF, RIP, IS-IS, NHRP
- MODBUS RTU/TCP gateway and mapping: convert data from RTU to TCP/IP format
- Backup routes: back up of the primary connection with alternative connections to the Internet (mobile network) or enabling Multiple WANs mode
- Dual stack IPv4 and IPv6 support
- Load balancing: the weight for every router interface can be set



Multiple SIM for carrier failover

- Back-up by switching between up to 4 independent mobile carriers according to router model
- Switch when data limit is exceeded, when roaming is detected or by any other programmable option
- eSIM support










VPN Tunneling & Security

- IPSec, OpenVPN, PPTP, L2TP, EasyVPN, GRE, WireGuard
- Authentication by certificates, shared keys, name/password, RADIUS, 2FA
- HTTPS, SSH, SFTP, DMZ
- Firewall: filtering of addresses, ports, protocols
- TPM secure chip for v4 router platform (5G and LTE Advanced)
- PCI DSS compliance

Remote Router Supervision & Mass Network Management

- HTTP/HTTPS, Telnet/SSH for local and remote configuration and firmware updates via WAN, locale configuration and firmware updates via LAN
- Schedule automatic configuration and firmware updates from your FTP/HTTP servers, Backup & Restore configuration
- Up to 4 independent configuration profiles can be stored and remotely switched using scripts, SMS messages, I/O, etc.
- Additional management, monitoring and security software platforms WebAccess/DMP2, WebAccess/VPN and R-SeeNet



Hardware Platform v4	Hardware Platform v3	Hardware Platform v2i
High Speed 4G/5G Routers & Powerful Edge Computing Gateways	Powerful Industrial 4G Routers & IoT Gateways	Industrial 4G Routers & IoT Gateways
A lot of power for all upcoming challenges	Powerful and proven industrial design	Great value for a number of applications
		
Quad-Core CPU 1.2 GHz	CPU 1 GHz	CPU 600 MHz
RAM 1024 MB	RAM 512 MB	RAM 128 MB
5 × 10/100/1000 Ethernet, PoE, SFP, RS232, RS485, CAN, GPS, I/O, WIFI	2 - 5 × 10/100 Ethernet, PoE, RS232, RS485, GPS, I/O, WIFI, Bluetooth	1 - 4 × 10/100 Ethernet, RS232, RS485, I/O
 RouterApp supported - 838 MB space	 RouterApp supported - 128 MB or 838 MB space according to model specification	 RouterApp supported - 12 MB space
WebAccess/DMP₂ WebAccess/VPN Supported		
		

Diagnostics

- Status – Signal Strength, Data Usage, Detailed Long Term Statistics
- One CLICK report – Current Configuration, Factory Identification, Routing Table
- Log – System Log, Reboot Log, Kernel Log
- Remote Diagnostics (via SSH)
- SNMP: router diagnostics, communication with I/O and MBUS
- LED indication: signal strength, connection status, ports, customer's application LED

Event Engine and SMS & E-mail Info

- StartUp script & Up/Down script: possibility to customize rules based on digital inputs status, network parameters, data usage, timer, power, device temperature etc.
- Information about status, connection or disconnection and many other parameters
- SMS control: on/off connection, switching SIM, router profile, I/O
- SMS communication: AT commands (RS232 and TCP/IP), I/O or HTTP
- SNMP traps

Application Development

Based on Linux Kernel Advantech cellular routers & gateways combines the simplicity of a web-based configuration with the flexibility of an open platform that allows the development of custom configuration scripts and RouterApps (software User Modules).

- Open Linux, BASH, C/C++ supported
- Python (for v3 and v4 platform)
- Node-RED (for v3 and v4 platform)
- Docker



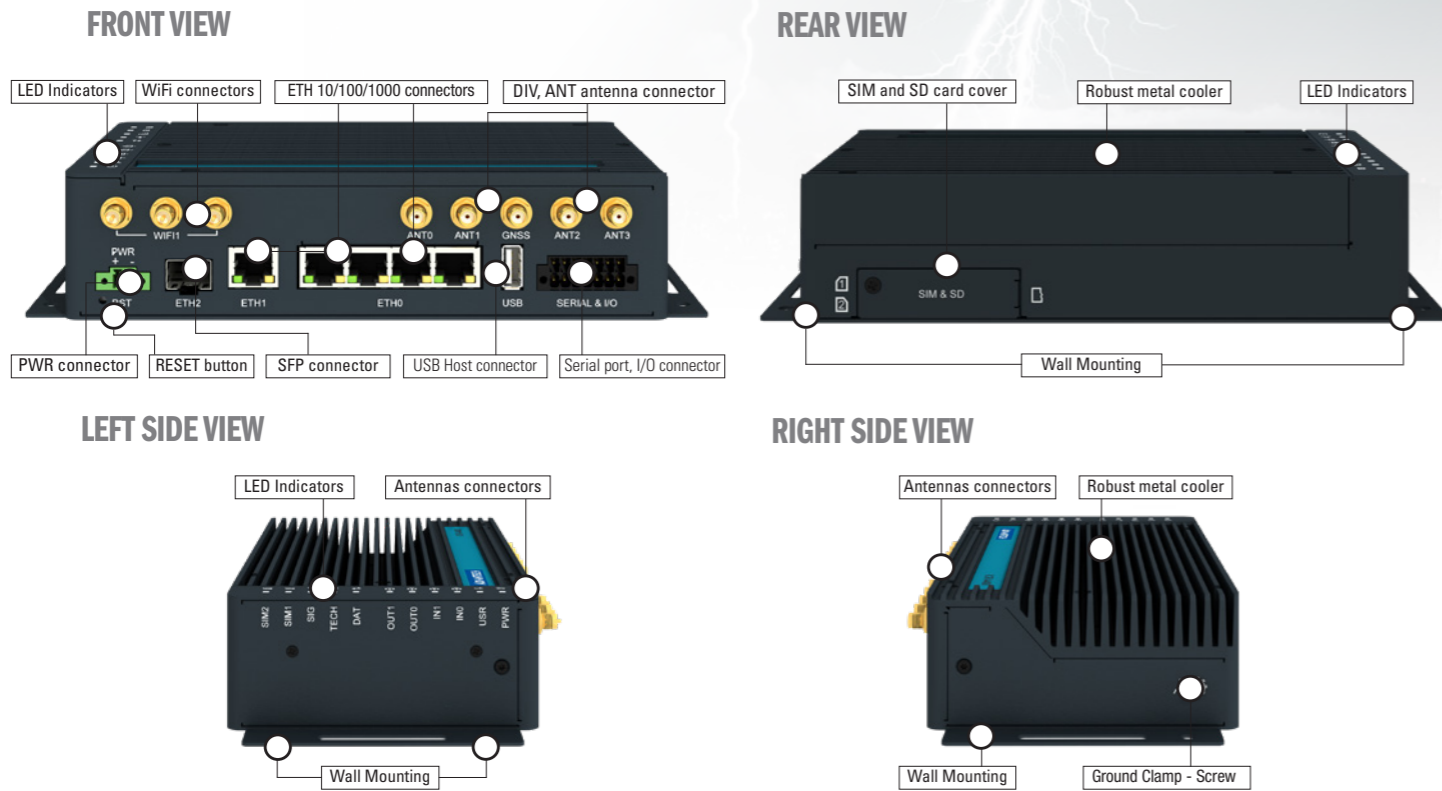
ICR-4400

Ultra High-Speed Router & Powerful Edge Computing Gateway



The new router platform “v4” serving as intelligence at the network edge with an extremely powerful **Cortex A72 CPU at 1200 MHz, 4 GB eMMC memory, 4 MB flash memory, and 1024 MB RAM**. The focus on high security underlines **TPM 2.0** secure chip inside and Tamper Button that ensures safe use in critical infrastructure systems. The **ICR-4400** router models are powered by the **ICR-OS** Linux operating system that provides a wide range of standard and enhanced networking features. A secure web interface allows users to configure and manage routers from remote locations, routers support multiple configuration profiles, automatic firmware updates, and many more. As **ICR-4400** is ready to operate in a standard and highly customized software environment as well it is truly born as a powerful edge computing gateway for today’s world. Operators are free to use standard web configuration, Linux scripts, AT commands and add new features by additional software applications called **Router Apps** (User Modules). There is an existing free library of **Router Apps** or the user may create its own app using **Advantech SDK**. The gateway can easily run applications like **Node-RED** or **Docker** (planned) that open the way to a multi-container world.

The **ICR-4400** is designed and manufactured for use in tough environmental conditions. Specifications include a wide operating temperature ranges from **-40 to +75 °C**. It accepts input voltage range from **9 V DC to 48 V DC** and is equipped with sleep mode for reducing electrical consumption. As a standard, **ICR-4400** offers to the user for connection **five Ethernet 10/100/1000 Mbps** (1 × independent and 4 × switch), optical connectivity when **SFP cage** (independent port) used, one **USB host 2.0, microSD reader**, serial lines **RS232** and **RS485, CAN Bus**, two binary inputs, and two binary outputs. The cellular router models contain two SIMs readers which are placed on the rear side of the device.



There is also the possibility to use one **eSIM** as the chip on the device in projects. **ICR-4400** has two mPCIe connectors that can be used for optional two WiFi modules. Electronics inside devices are well protected by robust metal casing for a wall mount (DIN mount is optional). **ICR-4400** is easy to be managed by using **WebAccess/DMP** tool - full-featured cloud-based management for provisioning and monitoring of routers simplifying operation mainly in mass deployments. Routers support also the connection to **WebAccess/VPN** that is a perfect way to create secure virtual private networks on the Internet.

ICR-4400 available models

Routers are now available in **4 production models** – 5G models **ICR-4453** and **ICR-4461**, LTE Advanced model **ICR-4434**, and **ICR-4401** without cellular connectivity onboard. **ICR-4453** and **ICR-4461** models development was motivated by the raising of **5G networks** globally. We responded by an **ultra-high-speed 5G NR** (New Radio) **router & powerful edge computing gateway** that is focused on global market challenges. The **5G „gigabit“ speed, low latency**, and guaranteed quality (SLA) of connectivity is a real step forward to a massive IoT and Enhanced mobile broadband (eMBB) applications - Mobile Internet access, Camera and security systems, industrial systems, and many other high data demanding applications. The router supports fallback via LTE (LTE-A Pro) and 3G networks for areas where 5G coverage is not well developed yet.

Key Product Features in glance:

- Quad-Core CPU with 1 GB RAM
- 2x SIM, eSIM Ready, TPM 2.0
- 5x Gigabit Ethernet (Optional 4x PoE PSE)
- SFP Fibre port (up to 10 Gbp/s), GNSS Receiver
- RS232, RS485, CAN BUS, 2x DI, 2x DO, USB Host, Micro SD Card
- Robust metal cover with wall mount options
- Wide operational temperature range
- Optional Dual-Band Wi-Fi

ICR-4453

- 5G NR Cellular Connectivity, Sub-6 GHz
- 3GPP Release 15, Support both NSA and SA modes
- EMEA, NAM

ICR-4461

- 5G NR Cellular Connectivity, Sub-6 GHz
- 3GPP Release 15, Support both NSA and SA modes
- Global, NAM

ICR-4434

- LTE-A Cat.12 worldwide connectivity with 3G fallback



The next model is **ICR-4434** - high speed **4G router & powerful edge computing gateway** focused on the global market. The **LTE-A Cat.12** worldwide connectivity with 3G fallback brings an ideal technology mix for high-demand data transfer in IoT/M2M applications. Due to the high-speed data transfer of up to **600 Mbps (download)** and up to **150 Mbps (upload)**, this router is an ideal solution for specialized M2M devices and IIoT. It serves well also for the wireless connection of traffic and security camera systems, individual computers, LAN networks, industrial systems, and various self-service terminals.

The **ICR-4401** provides the fast and stable connection to customer networks where using wired interfaces is required only. It might be interesting for example from the security points of view where the router can separate LAN's in the customer network and provide at the same time excellent interoperability with other Advantech ICR routers using the same **ICR-OS** firmware and advanced security and monitoring tools.

ICR-2700 Libratum, ICR-2800 Successors of v2 Routers



Product Features:

- LTE Cat.4 with 3G/2G fallback
- 1.3 GB eMMC storage to host customer SW applications
- 2x SIM with cover, eSIM ready, GNSS (ICR-2800 only)
- 2x Serial RS232/RS485 (ICR-2800 only)
- 2x Ethernet 10/100, USB Host 2.0
- Optional Metal or Plastic case
- DIN Rail mounting
- Wide operational temperature range
- Backup real time clock
- Sleep mode

ICR-2700 Libratum and **ICR-2800** are fully compatible enhanced successors of Advantech's balanced-features cellular routers LR77V2 and LR77 v2 Libratum. Interfaces offer even more features and improvements such as a USB port, more detailed LED indication, and mainly more powerful CPU and amply of data storage to ensure a long lifecycle (software updates) with broad software customization possibilities for the user. Routers has also a TPM 2.0 chip (Trusted Platform Module) onboard verifying router integrity to provide trusted solutions as a response to increasing cybersecurity demands in many industrial and public sectors. Routers have the same dimensions as their v2 platform predecessors.

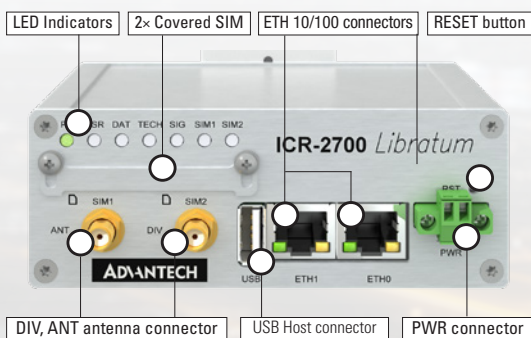
The hardware of routers is the same for both routers and includes **600 MHz CPU based on ARM architecture** and **128 MB of RAM**. Along with **4 GB** memory and **897 MB for Router Apps** and **512 MB** for customer data you get the device you might use as a cellular communication device or IoT gateway that moves the intelligence at the edge of your network. The cellular routers are equipped with the most popular interfaces that include 2 x Ethernet 10/100 ports with two independent LANs/IP addresses, 1 x USB 2.0 host port, and 2 x plate covered SIM card holders for automatic failover to an alternate service provider. **ICR-2800** extends the application possibilities of **ICR-2700** for serial interfaces and a large number of digital IOs.

Routers are powered by well-known Linux-based Advantech's operating system ICR-OS. A secure web interface allows users to configure and manage both routers from remote locations. Routers support real-time data encryption and establishing of VPN tunnels using IPsec, WireGuard, OpenVPN, GRE, etc. It supports standard and advanced networking features like DHCP, NAT, NAT-T, DynDNS, NTP, VRRP, control by SMS, and numerous other functions.

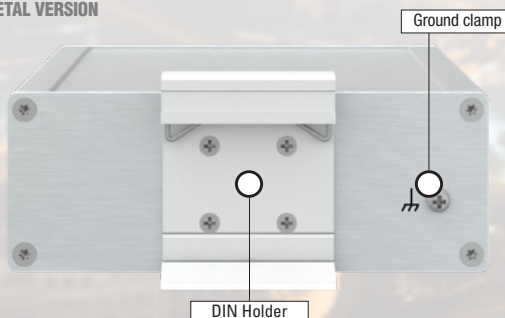
Both routers are ready to easily install individually and in mass deployments scenarios too by using a full-featured configuration and monitoring software tool WebAccess/DMP. Safe remote VPN access to customer devices and PCs connected to routers through Internet can be administrated by additional software WebAccess/VPN.

ICR-2700 Libratum

FRONT VIEW METAL VERSION

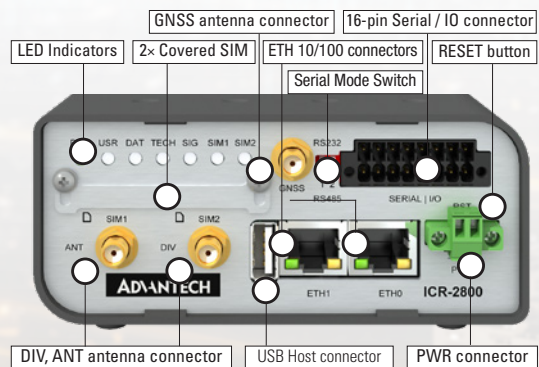


REAR VIEW METAL VERSION

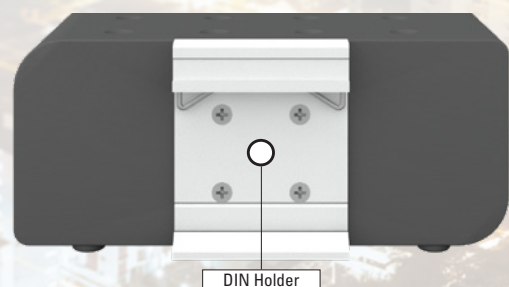


ICR-2800

FRONT VIEW PLASTIC VERSION



REAR VIEW PLASTIC VERSION



ICR-2000, ICR-2400, ICR-2500, ICR-2600 Entry-Level 4G Routers



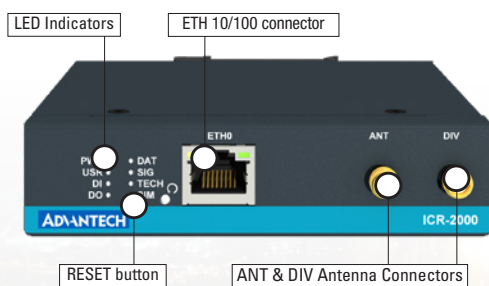
Product Features:

- LTE Cat. 4 with 3G/2G fallback
- up to 2x SIM for redundancy
- up to 4x Ethernet 10/100 Mbps
- optional 1x RS232, 1x RS485
- 1x DI, 1x DO
- Wide operational temperature range
- Wall and DIN mount options
- Linux based OS & SW customization

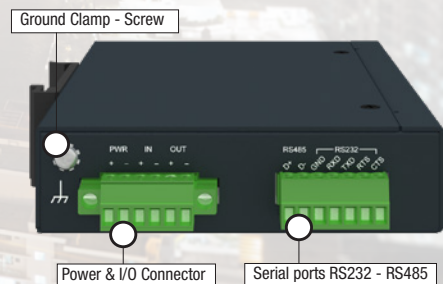
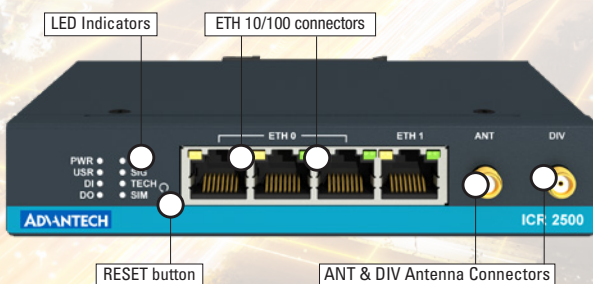
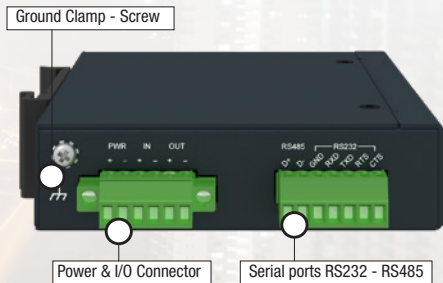
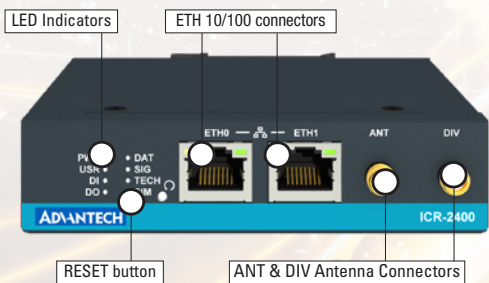
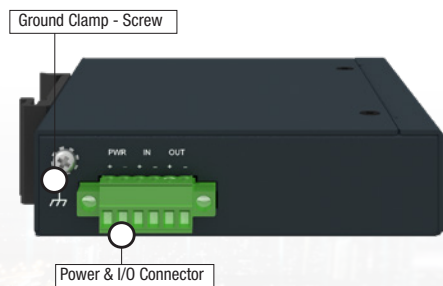
Industrial cellular LTE router models **ICR-2000**, **ICR-2400**, **ICR-2500** and **ICR-2600** are designed for wireless communication in cellular 4G/LTE Cat.4 networks with fall back to older 3G/UMTS/HSPA+ and 2G/GPRS/EDGE cellular networks. **ICR-2000**, **ICR-2400**, **ICR-2500** and **ICR-2600** are designed for different LTE categories (Cat. 4, Cat M1/NB-IoT, Private LTE bands, 450 MHz). Depended on a specific router model providing LTE connectivity for the diverse needs of modern communication systems.

The differences between the models are in a number of 10/100 Ethernet ports and serial lines for connection. The router **ICR-2000** is equipped with one 10/100 Ethernet port and one digital input and output (I/O). The router **ICR-2400** is equipped with two independently configurable 10/100 Ethernet ports (LAN or WAN), 1x serial port RS232, 1x RS485, and with one digital input and output (I/O). The router **ICR-2500** is equipped with four 10/100 Ethernet ports, and with one digital input and output (I/O). In compering with **ICR-2500**, the **ICR-2600** has an extra RS232/RS485 serial port. All routers support establishing of a VPN tunnel and various protocols to ensure safe communication. Routers provide diagnostic functions which include automatic monitoring of wireless and wired connections, automatic restart in case of connection loss, and a hardware watchdog that monitors the state of the router. Routers are based on the **ICR-OS** operating system (Linux platform) that enables wide possibilities of programming customer SW applications in Python, and C/C++. There is also possible to benefit from the existing **Router Apps** (User modules) library with ready-to-use software developed to enhance specific router functionality including industrial protocol conversions and support of IoT platforms such as MS Azure, Cumulocity, and others.

FRONT VIEW



LEFT SIDE VIEW



ICR-3200

Industrial IoT 4G LTE Router & Gateway



Product Features:

- 4G LTE Cat.4, Cat. M1 VPN Gateway for Industrial IoT applications
- Powerful CPU with 1.3 GB storage to host customer SW applications
- 2x SIM with cover, eSIM ready
- 2x Ethernet 10/100, 1x RS232, 1x RS485 and I/O
- Optional Wi-Fi 802.11ac using MIMO technology
- Optional Bluetooth v5.1 (class 1)
- Optional GNSS receiver
- Robust metal cover with DIN and Wall mount options
- Operational temperature range from -40 °C to +75 °C
- Backup real time clock
- Sleep mode & Power ignition



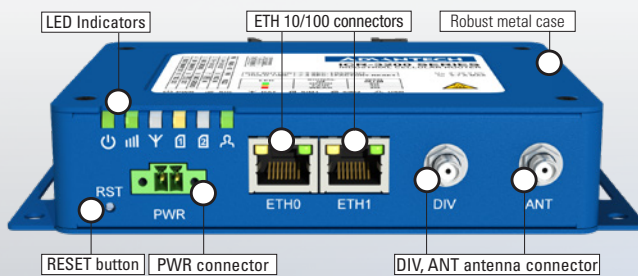
The **ICR-3200** LTE gateway is the perfect way to connect IP or serial devices to a cellular network. Industrial M2M and IoT applications include kiosks, industrial PCs, HMIs, traffic controllers, meters, UPS systems, and much more. With LTE Cat.4 upload speeds of up to **50 Mbps** and download speeds of up to **150 Mbps**, the router provides ample bandwidth for high data demand applications such as CCTV or public Wi-Fi hotspots. LTE Cat M1 version of the router use a new cellular technology specifically designed for the needs of applications targeting the Internet of Things (IoT) or machine-to-machine (M2M) communications.

In addition to its two independent or switched Ethernet ports, **serial ports RS232** and **RS485**, ICR-3200 has built-in digital I/O connectivity, backup real-time clock and sleep mode support. The device has two SIM readers protected by metallic cover for carrier failover redundancy. As an addition the router is ready to use internal eSIM. Optional built-in GNSS chipset provides information about the accurate position of the router. An optional built-in Wi-Fi module and Bluetooth v5.1 (class 1) modules are also available, with 802.11a,b,g,n,ac modes.

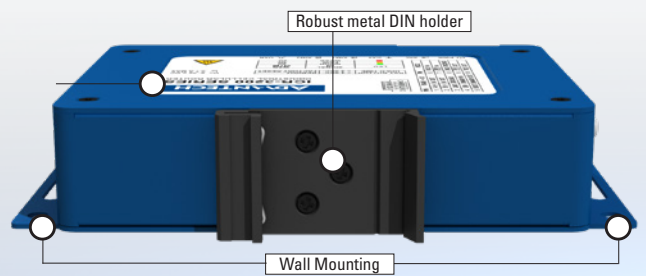
The router supports VPN tunnel creation using various protocols to ensure safe communications. The router provides diagnostic functions which include automatic monitoring of the wireless and wired connections, automatic restart in case of connection losses, and a hardware watchdog that monitors the router status. The ICR-3200 places intelligence at the network edge with an extremely powerful **Cortex A8 CPU at 1 GHz, 512 MB RAM** and **4 GB eMMC FLASH** memory in pSLC mode for a long-lifetime and critical industrial applications. 1.3 GB of memory space is allocated for customer SW applications and data.

ICR-3200 is easy to install using **WebAccess/DMP**, a full featured configuration and monitoring tool. Our VPN portal **WebAccess/VPN** makes it easy to build private network. The router also supports additional traffic and health monitoring software **R-SeeNet**.

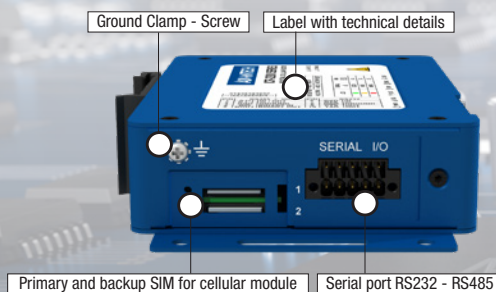
FRONT VIEW



REAR VIEW



LEFT SIDE VIEW



RIGHT SIDE VIEW



SmartFlex, SmartMotion

... more power, more features, more ideas



Product Features:

- Powerful CPU to support high demand customer applications
- Extended operational temperature range from -40 °C to +75 °C
- 10-60 V DC, reverse polarity voltage protection
- Flexible port options for SmartFlex router family
- Twin cellular module capability for SmartMotion router family
- GPS and GLONASS support
- MicroSD card holder
- Low power mode for solar and battery power applications
- PoE PD, PoE PSE, In/Out, USB Host
- Advanced security features (VPN, firewall etc.)

The **SmartFlex** and **SmartMotion** cellular routers provide secure Internet connectivity for devices and LANs via cellular networks. Routers provide **transfer speeds up to 50 Mbit/s** and **download speeds of up to 100 Mbit/s** meeting the high demand required for video transfer.

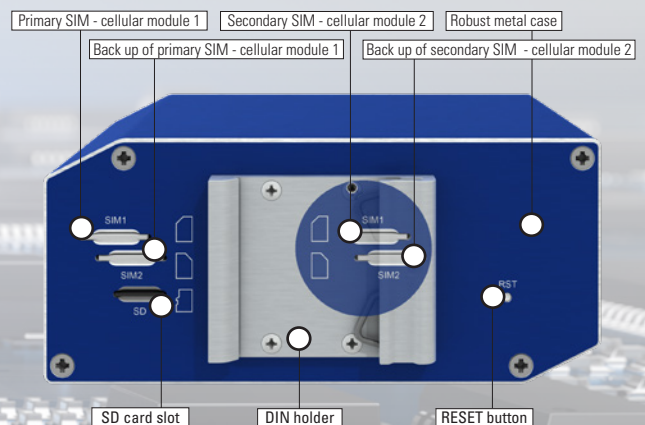
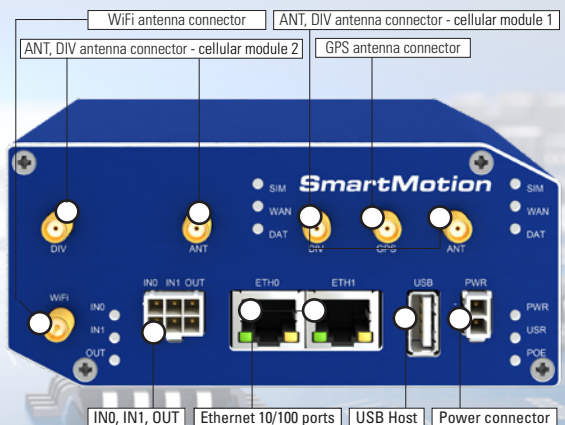
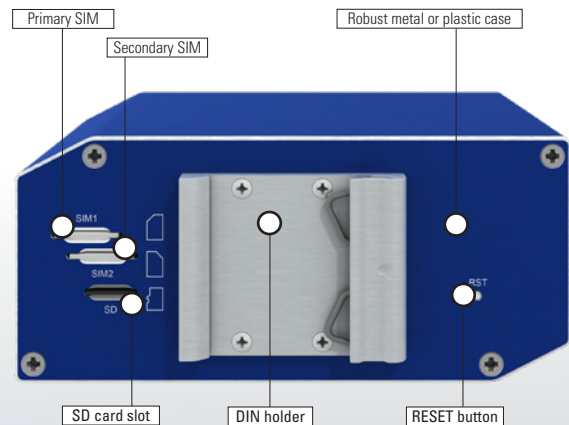
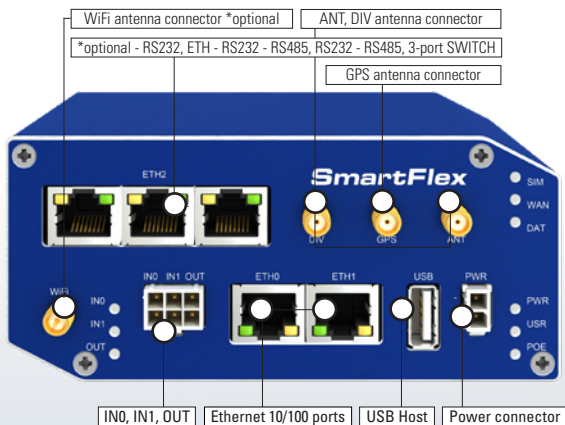
The **SmartFlex** and **SmartMotion** place intelligence out at the network edge with an extremely powerful **Cortex A8 CPU at 1GHz, 256 MB flash memory, 512 MB RAM, and 128KB M-RAM** providing full support for **4G/LTE speeds** and applications.

A secure web interface allows users to configure and manage routers from remote locations. Upgrade of configuration or firmware from the operator's central server allowing simultaneous mass reconfiguration of every router on the network.

The **SmartFlex** and **SmartMotion** standard hardware configuration include 2x Ethernet 10/100 ports with 2 independent LANs/IP addresses. The standard configuration also includes 1x USB host port, 1x microSD card holder, 2x SIM cardholders (4 SIM card holders for SmartMotion) for automatic failover to an alternate service provider/providers, 2x binary inputs (I/O), 1x binary output (I/O) and onboard GPS (GPS missing on SmartMotion model ST355).

For **SmartFlex** there are available optional hardware boards that extend flexibility in the applications: optional board one offers extra 3x ETH 10/100 ports (the router can be configured with up to 5 total Ethernet ports and 3 independent LANs/IP addresses than) or optional board two with 1x ETH 10/100 – 1x RS232 – 1x RS485 (isolation strength up to 2.5kV) or optional board three with 1x RS232 – 1x RS485 or RS232. Both routers are based on ICR-OS operating system with full features onboard.

Routers can be connected to software platforms **WebAccess/DMP, WebAccess/VPN** and **R-SeeNet**.



<p>Number of interfaces and enhancements</p> <p>Platform v4</p> <p>Ultra High-Speed 5G Router & Powerful Edge Computing Gateway</p> <p>Quad-Core CPU 1.2 GHz RAM - 1024 MB eMMC - 4096 MB (838 MB for Router Apps, 512 MB for customer data) ICR-OS, SW customization, Router App, Python, Node-RED, Docker, Third Party Apps</p>
<p>Platform v3</p> <p>Powerful Industrial 4G/LTE Routers & IoT Gateways</p> <p>CPU 1 GHz RAM - 512 MB MRAM - 128 KB NOR Flash - 256 MB (SmartFlex, SmartStart, SmartMotion, ICR-3800) (128 MB for Router Apps, 128 KB for customer data)</p> <p>eMMC - 4096 MB (ICR-3200, BB-SL305) (838 MB for Router Apps, 512 MB for customer data) ICR-OS, SW customization, Router App, Python, Node-RED</p>
<p>Platform v2i</p> <p>Industrial 4G/LTE Routers</p> <p>CPU 600 MHz RAM - 128 MB NOR Flash - 64 MB (12 MB for Router Apps, 2 MB for customer data) ICR-OS, SW customization, Router App</p>
<p>Platform v2i - Successors of v2</p> <p>RAM - 128 MB, eMMC - 4096 MB (838 MB for Router Apps, 512 MB for customer data) ICR-OS, SW customization, Router App</p>
<p>Platform lite</p> <p>CPU 580 MHz</p> <p>Flash RAM - 32 MB RAM - 128 MB Linux OS, No software customization</p>

Entry Level Routers Basic Interfaces	Industry Popular Port Options	Enhanced & Flexible
1 - 2x ETH, RS232	2-4x interfaces, ETH, RS232, RS485, I/O, WIFI, 1 - 2 SIM	2-10x interfaces, ETH, RS232, RS485, USB, CAN, I/Os, WIFI
		<p>ICR-4400 Series</p> <p>5G / LTE-A Cat.12 5x Gig ETH, SFP, USB, SD card, 1x RS232, 1x RS485, 1x CAN bus, 2x DI + DO, GPS, Optional MIMO WiFi, Optional 4x PoE PSE ICR-4453 - EUROPE, NAM (5G) ICR-4461 - Global, NAM (5G) ICR-4434 - Global (LTE-A Cat.12)</p>
<p>SmartStart series</p> <p>LTE Cat.4 2x SIM, 1x ETH, 1x RS232, DI+DO, Optional WiFi BB-SL305 - EMEA</p>	<p>ICR-3200 series</p> <p>LTE Cat.4 2x SIM, 2x ETH, 1x RS232, 1x RS485, DI+DO, Optional MIMO WiFi, Bluetooth and GPS ICR-3231 - EMEA ICR-3241 - NAM ICR-3232 - AUS</p> <p>LTE Cat. M1 & NB IoT 2x SIM, 2x ETH, 1x RS232, 1x RS485, DI+DO ICR-3211B - NAM, EMEA</p>	<p>SmartFlex series</p> <p>LTE Cat.3 / Cat.4 2-5x ETH, USB, SD card, Optional Isolated serial RS232, RS485 ports, GPS, Optional WiFi, Optional PoE PSE, PoE PD BB-SR303 - EMEA BB-SR304 - EMEA, APAC, LATAM BB-SR305 - NAM BB-SR308 - AUS BB-SR307 - LTE 450 BB-SR309 - Korea BB-SR310 - Global</p>
<p>ICR-2000 series</p> <p>LTE Cat.4 1x SIM, 1x ETH, DI+DO ICR-2031 - EMEA ICR-2041 - NAM</p>	<p>ICR-2400 series</p> <p>LTE Cat.4 2x SIM, 2x ETH, DI+DO, 1x RS232, 1x RS485 ICR-2431 - EMEA, ICR-2441 - NAM ICR-2432 - LATAM ICR-2437 - EMEA, LTE 450 ICR-2436 - Private LTE</p> <p>LTE Cat. M1 & NB IoT 2x SIM, 2x ETH, DI+DO, 1x RS232, 1x RS485 ICR-2412 - EMEA, LTE 450</p>	<p>ICR-2500 series</p> <p>LTE Cat.4 2x SIM, 4x ETH, DI+DO ICR-2531 - EMEA</p> <p>ICR-2600 series</p> <p>LTE Cat.4 2x SIM, 4x ETH, 1x RS232, 1x RS485, DI+DO ICR-2631 - EMEA</p>
<p>ICR-2700 Libratum</p> <p>LTE Cat.4 2x SIM, 2x ETH, USB ICR-2734 Libratum - EMEA</p>	<p>ICR-2800 series</p> <p>LTE Cat.4 2x SIM, GNSS, 2x ETH, USB, 2x RS232/RS485 ICR-2834 - EMEA</p>	
<p>ICR-1600 series</p> <p>2x SIM, 2x ETH, Optional WiFi, GPS ICR-1601 - EMEA</p>		

LAN Wired Routers	Dual LTE module routers for critical applications	Railway Router EN 50155
<p>2-10x interfaces, ETH, RS232, RS485, USB, CAN, I/Os, WIFI</p> <p>ICR-4400 LAN</p> <p>Wired 5x Gig ETH, SFP, USB, SD card, 1x RS232, 1x RS485, 1x CAN bus, 2x DI + DO, Optional MIMO WiFi, Optional 4x PoE PSE ICR-4401 - Global</p>	<p>3x interfaces ETH, USB, 4 SIM</p> <p>SmartMotion series</p> <p>LTE Cat.3 Dual Module, 2x ETH, 4x SIM, USB, SD card, GPS, Optional WiFi, Optional PoE PSE, PoE PD BB-ST352 - EMEA, LTE 450 BB-ST355 - EMEA</p>	<p>Rolling stock certified router</p> <p>ICR-3800 series</p> <p>LTE Cat.4 2x ETH, USB, SD card, GPS, Optional PoE PD ICR-3831 - EMEA</p>
<p>SmartFlex LAN</p> <p>Wired 5x ETH, USB, SD card, DI+DO, Optional WiFi, Optional PoE PSE, PoE PD BB-SR300 - Global</p> <p>Wired 2x ETH, 1x RS232, 1x RS485, DI+DO, Optional MIMO WiFi, Bluetooth ICR-3201 - Global</p>		



<p>ICR-2700 series</p> <p>Wired 2x ETH, USB ICR-2701 - Global</p>

CERTIFICATIONS:

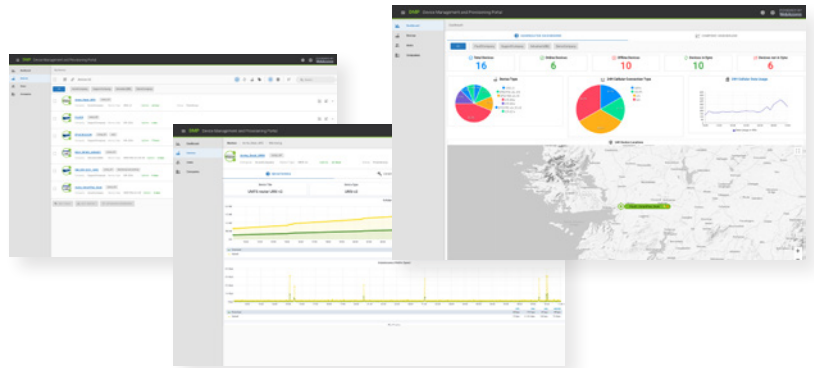
Cellular Routers & Gateways

WebAccess/DMP₂

Remote device provisioning, monitoring and management platform.

Product Features

- Performance at Scale
- Extensible Architecture
- AssureAuth PKI
- Multi Tenancy
- AssureSync Configuration Management
- Secure Device Health Monitoring
- Built for Interoperability
- Fully API Enabled



WebAccess/DMP Generation 2 is an advanced Enterprise-Grade platform solution for provisioning, monitoring, managing and configuring Advantech's routers and IoT gateways. It provides a zero-touch enablement platform for each remote device.

With **WebAccess/DMP**, secure zero-touch pre-provisioning and pre-configuration is simple, regardless of how large your deployment is: from one device to thousands. The platform supports full multi-tenancy, with the possibility of permissions-enabled power-user oversight across tenancies.

Performance at Scale

WebAccess/DMP Generation 2 has been built for scale and performance. The backend service architecture includes high-availability broker clusters, with load-balancing and elastic scale enablement. Rest assured that your needs will be met, as you grow and scale your business.

Extensible Architecture

The platform has been designed for **extensibility**. Using **leading-edge micro-services** enabled architectural best practices, together with **leading-edge elastic scale technologies**, load balancing and brokerage services, the platform will scale-out as necessary. The **user-interface** is built on our publicly **available API**, via our publicly available API Gateway, which enables real-time extensibility to available functionality, and the ability to integrate functionality with your existing services and infrastructure seamlessly: plug in, build-out.

AssureAuth PKI

Security is **built-in** by design: we have built a full **Public Key Infrastructure** (PKI) stack into the product suite: your connected devices are securely provisioned, certified and authenticated.

Multi Tenancy

Every User must belong to at least one Tenant. Every User may belong to one or more Tenancies. Every Tenant has an "Admin" User, who decides on how to grant user-permissions. For each User, for each Tenancy they belong to, unique user permissions may be granted.

AssureSync Configuration Management

WebAccess/DMP Generation 2 has incorporated **industry best-practice Digital Twin Device Model technology** and combined it with **real-time user-interface configuration** status indicators. It is possible to granularly configure every possible configuration item on every device, as a Desired State. Every device will report its **actual configuration**, for every configuration item, which will be stored as a Reported State. Our **AssureSync** Configuration Management engine will detect differences between Desired and Reported states, and automatically reconcile differences.

Edge Intelligence App management

Deploy one or many of our pre-prepared **RouterApps** (also known as "**user modules**") directly from WebAccess/DMP, to one or many of your remote devices. Manage the Apps and versions you deploy: you can "pin" a specific Router App version, for each of your selected devices, as a Desired State, and you can manage the configuration settings for each Router App, for each device it's deployed onto.

Use the device's SDK to **build your own Edge Intelligence Apps**, then use the WebAccess/DMP API to publish and deploy your own Router Apps, at scale: WebAccess/DMP enables you to build your own required platform-side user-interface automatically.

Router Apps that you create yourself will be managed through our AssureSync configuration management engine, just like our native Router Apps.

Secure Device Health Monitoring

Every remote **device has build-in secure health-monitoring status indicators**, that are reported to WebAccess/DMP, and stored in a **Time-Series database**: by default you get **2-months of history data**, which you can zoom-in on and analyse at will, in real-time.

Location Monitoring is also available, and can be enabled to show you precise GPS based geographic-location for each of your remote devices (devices equipped with a GNSS module).

Built for Interoperability

WebAccess/DMP Generation 2 is Fully API Enabled: in fact, we built our entire user-interface application using the publicly-available secure REST based API, via our publicly available API gateway, which you can find at <https://api.wadmp.com>

This means that you have the power of interoperability with your existing infrastructure: integrate the available services that we provide with the services you wish to observe or consume.

Alerts and Auditing

Keep your finger on the pulse - get an Alert when somebody tries to change a password on your device, it is going offline, or the cellular signal level is not enough. Trackback on what happened over your ICR asset with the Auditing feature, know who and when made changes.

SMART DECISIONS BEGIN

with Intelligent Management Software

R-SEENET

Monitoring & Management Software

R-SeeNet is the software system used for monitoring Advantech routers. It continuously collects information from individual routers in the network and records the data into a database. Then it creates visual forms and reports for the network administrator.

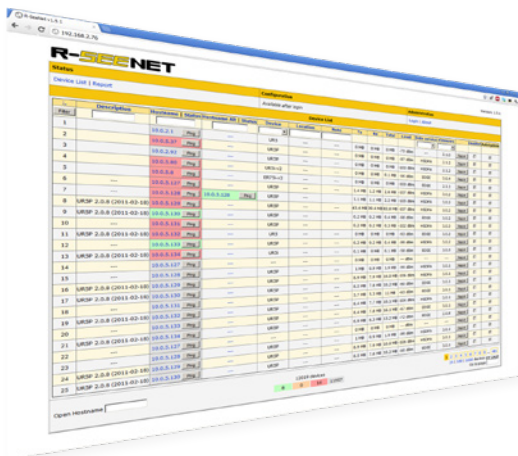
R-SeeNet consists of two parts:

- **R-SeeNet Server**
A server application that can be programmed to automatically send SNMP queries (Simple Network Management Protocol) to each router defined in the network. The application retrieves status information from the routers and records it in the database.
- **R-SeeNet PHP**
A web-based application that accesses to the database and provides the user or network administrator with information about the status of individual routers as well as the status of the entire network.

Available Data

Everything you need to know about your network's current status as well as a historical view of the information transferred today, yesterday, this week, this month and last month.

- Signal strength
- Data traffic
- Response time
- Router availability
- Number of mobile connections
- Number of channels connected
- Visual reports, tables and graphs
- Up to 2 months of past data for each router



WebAccess/VPN

Advanced Secure Networking Platform

WebAccess/VPN is an advanced VPN management solution for safe interconnection of Advantech routers and LAN networks in public Internet. Connection among devices and networks can be regional or global and can combine different technology platforms and various wireless, LTE, fixed and satellite connectivities.

WebAccess/VPN provides an easy and secure connectivity platform for applications such as branch connection, remote access, machine monitoring in industry sectors like Utilities & Energy, Automation, Predictive maintenance, Industrial IoT for any end device types such as Computers, PLCs, RTUs, Cameras, Terminals...

Product features:

- Secure Private Networks in Internet
- Encrypted & Reliable Communication
- Centrally defined VPN topology
- Managed LAN, 1:1 NAT modes
- Firewall & Access Control
- User-friendly Management
- Easy Deployment
- Extensive Platform Compatibility

WebAccess/VPN makes it easy to set, scale and supervise secure networks of Advantech routers and other devices in Internet environment.

WebAccess/VPN solves network security issues and provides secure connections for individual LANs.

All communication going through the **VPN Portal** is encrypted and hidden from potential intruders.

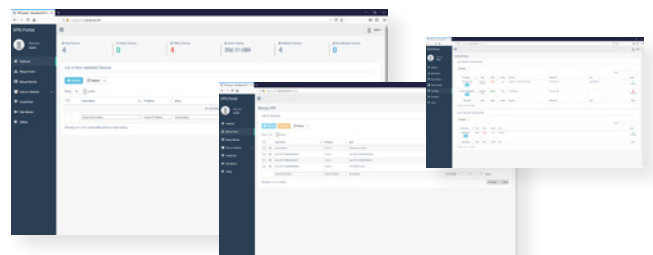
The architecture of **WebAccess/VPN** withstands common attack vectors. The network traffic runs through OpenVPN tunnels.

Independent of mobile operators. No need for public or static IPs. No need for private APN or DDNS.

Each device connected to the router within **VPN network** has a fixed private IP address for transparent communication.

User-friendly Management helps admins and users to configure and control routers in their defined LANs.

WebAccess/VPN is compatible with SCADA systems, Linux, Windows, Smart phones, Tablets etc. & existing network topologies such as Cellular, Fibre, Satellite, ADSL.



TRANSPORTATION SYDNEY FERRIES



Region: AUS
Product: ICR-3200
Application: Real-time monitoring of position Sydney Ferries

- Multicast support - PIM-SM
- GPS functionality - NMEA reporting
- Functionality IPtables
- VPN Functionality
- **R-SEENET** monitoring SW

ENERGY POWER DISTRIBUTION MANAGEMENT



Region: EMEA
Product: ICR-3200, SmartFlex, SmartMotion
Application: SCADA connectivity for power distribution company

- Scalable LTE routers in terms of interfaces with the same SW environment
- Centralized management tool **WebAccess/DMP₂**
- IEC101/104 protocol conversion provided by LTE router
- Compatibility with current SNMP monitoring system Zabbix
- Two IPsec VPN connections to two geographically separated firewalls due to redundancy
- Support SCEP (Simple Certificate Enrollment Protocol) as a key part of robust cyber security

INDUSTRIAL EQUIPMENT MANUFACTURES MONITORING OF ELEVATORS



Region: NAM
Product: ICR-3211B - 4G LTE Cat. M1, **WebAccess/VPN**
Application: Remote monitoring of lifts using LTE Cat. M1 cellulars routers

- Capability addresses the challenge of getting a reliable cell signal in basements and other in-building locations
- The built-in supercapacitor provides enough power for a "last gasp" message to be sent when the main power is lost
- The ICR-3211B supports the required software development tool Python3 Cloud Monitoring needed for integration with its own web-based applications

E-MOBILITY ELECTRIC CAR CHARGING STATIONS



Region: EMEA
Product: SmartFlex
Application: Cellular connection for car charging stations

- SD card holder on router device
- Galvanically isolated Ethernet and serial ports RS232/RS485
- Open platform to host third party software
- Wide temperature range
- Over voltage protection

HEALTH CARE MEDICAL DEVICE CONNECTIVITY



Region: NAM
Product: SmartFlex
Application: Surgical Machine, remote monitoring/control

- Multiple communication interface built-in
- Global cellular connectivity
- Use of global roaming SIM card
- Custom made **RouterApp**

TRANSACTION MANAGEMENT 3G/4G CONNECTION FOR LOTTERY TERMINALS



Region: EMEA
Product: ICR-2500, LR77 v2 Libratum
Application: On-line transactional networks for national lotteries

- Dual SIM failover capability
- Support of Multicast
- DMVPN / GRE tunnels support
- Automatic mass update of configuration and firmware update
- Management and monitoring **WebAccess/DMP₂**

AUTOMATION MONITORING OF BOILER SYSTEM



Region: ASIA
Product: SmartStart
Application: Monitoring of boiler system in hospitals, hotels and campuses environments

- Node-RED support
- Network edge data processing
- Dashboard Display for remote monitoring
- Alarm notification

SECURITY SECURING OF AIRSPACE



Region: NAM, EMEA
Product: SmartFlex
Application: Secures the World's Airspace with multi-edge computing

- PoE PSE powering of connected camera
- SmartFlex's on-board Wi-Fi provides a local connection for on-site technicians
- Serial interface RS232
- **WebAccess/VPN**

Regional Service & Customization Centers

China	Kunshan 86-512-5777-5666	Taiwan	Taipei 886-2-2792-7818	Netherlands	Eindhoven 31-40-267-7000	Poland	Warsaw 00800-2426-8080	USA	Milpitas, CA 1-408-519-3898
--------------	-----------------------------	---------------	---------------------------	--------------------	-----------------------------	---------------	---------------------------	------------	--------------------------------

Worldwide Offices

Greater China

China	
Toll Free	800-810-0345
Beijing	86-10-6298-4346
Shanghai	86-21-3632-1616
Shenzhen	86-755-8212-4222
Chengdu	86-28-8545-0198
Hong Kong	852-2720-5118

Taiwan	
Toll Free	0800-777-111
Taipei & IoT Campus	886-2-2792-7818
Taichung	886-4-2372-5058
Kaohsiung	886-7-392-3600

Middle East and Africa

Israel	072-2410527
--------	-------------

Asia

Japan	
Toll Free	0800-500-1055
Tokyo	81-3-6802-1021
Osaka	81-6-6267-1887
Nagoya	81-0800-500-1055

Korea	
Toll Free	080-363-9494
Seoul	82-2-3663-9494

Singapore	
Singapore	65-6442-1000

Malaysia	
Kuala Lumpur	60-3-7725-4188
Penang	60-4-537-9188

Thailand	
Bangkok	66-02-2488306-9

Vietnam	
Hanoi	84-24-3399-1155

Indonesia	
Jakarta	62-21-751-1939

Australia	
Toll Free	1300-308-531
Melbourne	61-3-9797-0100

India	
Bangalore	91-80-2545-0206
Pune	91-94-2260-2349

Europe

Netherlands	
Eindhoven	31-40-267-7000
Breda	31-76-523-3100

Germany	
Toll Free	00800-2426-8080/81
Munich	49-89-12599-0
Düsseldorf	49-2103-97-855-0

France	
Paris	33-1-4119-4666

Italy	
Milan	39-02-9544-961

UK	
Newcastle	44-0-191-262-4844
London	44-0-870-493-1433

Spain	
Madrid	34-91-668-86-76

Sweden	
Stockholm	46-722-293423

Poland	
Warsaw	48-22-31-51-100

Russia	
Moscow	8-800-555-01-50
St. Petersburg	8-800-555-81-20

Czech Republic	
Ústí nad Orlicí	420-465-52-44-21

Ireland	
Galway	353-91-792444

Americas

North America	
Toll Free	1-888-576-9668
Cincinnati	1-513-742-8895
Milpitas	1-408-519-3898
Irvine	1-949-420-2500
Ottawa	1-815-434-8731

Brazil	
Toll Free	0800-770-5355
São Paulo	55-11-5592-5367

Mexico	
Toll Free	1-800-467-2415
Mexico City	52-55-6275-2727



ADVANTECH

Enabling an Intelligent Planet

www.advantech.com

Please verify specifications before quoting. This guide is intended for reference purposes only. All product specifications are subject to change without notice. No part of this publication may be reproduced in any form or by any means, electronic, photocopying, recording or otherwise, without prior written permission of the publisher. All brand and product names are trademarks or registered trademarks of their respective companies. © Advantech Co., Ltd. 2019