

# PPC-315SW RPL PPC-318SW RPL PPC-321SW RPL

## 15.6"/18.5"/21.5" Fanless Panel PC with Intel® 13th Gen Core™ i7/i5/i3 Processor



### Features

- True-flat touchscreen with Industrial-grade LCD panel
- High-performance, fanless 13th generation Intel® Core™ i processor
- Slim Compact, fanless design with aluminum alloy enclosure
- IP66-rated front panel
- Supports dual displays (1 x external DP)
- 1 x M.2 M Key 2242/2280 (SATA or NVMe PCIe x 4) for storage, support SATA RAID 0,1
- 2 x 2500BASE-T Ethernet Supports Time-Sensitive Network(TSN) technology
- Supports VESA 75
- Support TPM2.0 hardware security
- Support iDoor
- Support PCI or PCIe



### Introduction

PPC-300SW RPL equipped Intel 13th Gen Core i7/i5/i3, providing high computing performance with a slim & compact design and robust aluminum alloy enclosure. It also leverages M.2 M key NVMe PCIe to accommodate extremely high data rate and low latency advantage. PPC-300SW RPL features 4 x USB, 2 x series ports and 1 x DP for flexible access and connection. The addition optional of PCIe/PCI slots or idoor for fieldbus or proprietary card extensions increases the compatibility of the system for various applications. The PPC-300SW RPL series is an excellent solution to enable quick data capture, processing and data digitalization in various industrial applications.

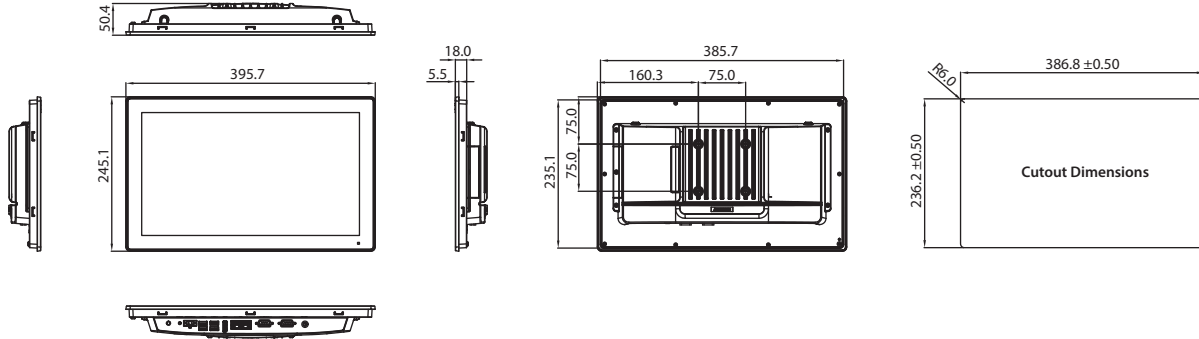
### Specifications

<b>System</b>	CPU	i3-1315UE	i5-1335UE	i7-1365UE
	Core	6	10	10
	Frequency	1.20 GHz upto 4.5GHz with Turbo	1.30 GHz upto 4.5GHz with Turbo	1.70 GHz upto 4.9GHz with Turbo
	Cache	10 MB	12 MB	12 MB
	Memory	1 x SODIMM, DDR5 4800MHz, max. 32GB		
	Storage	1 x 2.5" SATA bay* 1 x M.2 M Key 2242/2280 (SATA or NVMe PCIe x 4), support SATA RAID 0,1		
	Network (LAN)	2 x 10/100/1000/2500 Mbps Ethernet (Intel I226 LM)		
	I/O	2 x RS-232/422/485 3 x USB3.2.1 x USB2.0 2 x USB2.0 (optional)* 1 x DP 1 x line out 1 x TPM 2.0		
	Expansion	1 x M.2 B key 2242 or 3042/3052 (SATA, PCIe x1 ,USB 3.0 & SIM slot)*** 1 x M.2 E Key 2230 (PCIe & USB 2.0) 1 x iDoor (optional)* 1 x PCI or PCIe x1 (optional)**		
Watchdog Timer	255 timer levels; setup by software			
Speaker	1 x 2W			
<b>LCD</b>	Display Type	15.6" TFT LCD (LED backlight)	18.5" TFT LCD (LED backlight)	21.5" TFT LCD (LED backlight)
	Max. Resolution	1920 x 1080	1366 x 768	1920 x 1080
	Viewing Angle	89 (left), 89 (right), 89 (up), 89 (down)	85 (left), 85 (right), 80 (up), 80 (down)	89 (left), 89 (right), 89 (up), 89 (down)
	Luminance (cd/m <sup>2</sup> )	350	450	250
	Contrast Ratio	800	1000	1000
	Backlight Lifetime	50000hr (min.)	50,000hrs (min.)	50,000hrs (min.)
	<b>Touchscreen</b>	Touchscreen type	5 wire resistive touch or Multi-touch projected capacitive	
Light Transmission		80%±3% (Res) or >86% (P-cap)		
Controller		USB interface		
<b>Physical Characteristics</b>	Dimensions	395.7 x 245.1 x 50.4 mm (15.6 x 9.7 x 2.0 in)	464.5 x 285.5 x 53.4 mm (18.3 x 11.2 x 2.1 in)	529.6 x 321.3 x 53.4 mm (20.9 x 12.6 x 2.1 in)
	Weight	4.3 kg	5.3 kg (11.53 lb)	6.35 kg (13.91 lb)
<b>OS Support</b>	OS Support	Windows 10 LTSC, Windows 11, Linux		
<b>Power Consumption</b>	Input Voltage	24V <sub>DC</sub> ± 30%		
	Power Consumption	85W	80W	70W
<b>Environment</b>	Operating Temperature	-10 ~ 50 °C (32 ~ 122 °F)		
	Storage Temperature	-20 ~ 60 °C (-4 ~ 140 °F)		
	Relative Humidity	95% @ 40 °C (Non-Condensing)		
	Shock	Operating 10 G Peak Acceleration (11 ms Duration), Follows IEC 60068-2-27		
	Vibration	Operating Random Vibration Test 5-500Hz, 2Grms @with SSD, Follows IEC 60068-2-64		
	EMC	CE, FCC Class B, BSMI, EN60601-1-2, UKCA		
	Safety	CB, UL, CCC, UKCA		
	Front Panel Protection	IP66 compliant		

## Dimensions

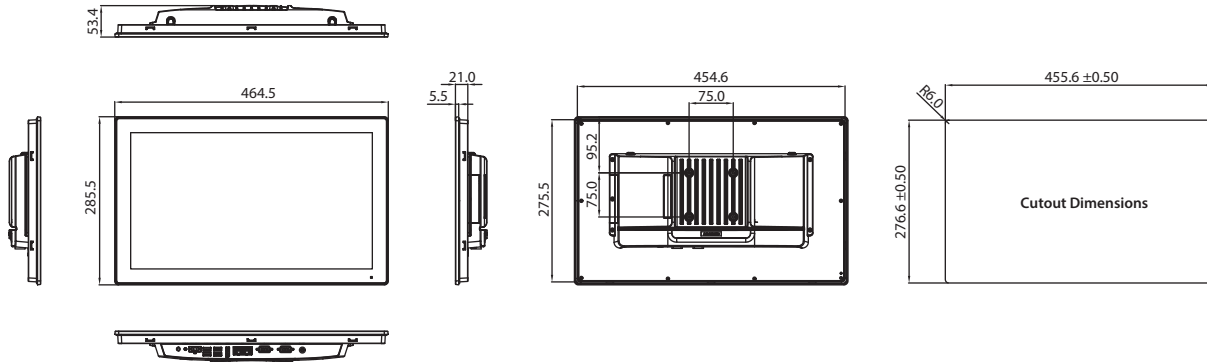
Unit: mm

### PPC-315SW



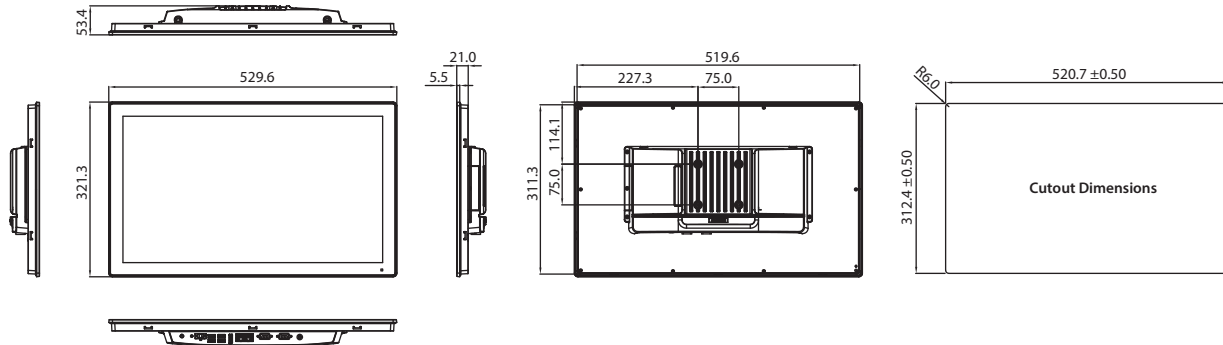
**Panel Cutout Dimensions: 386.8 x 236.2 mm (15.23 x 9.30 in)**

### PPC-318SW



**Panel Cutout Dimensions: 455.6 x 276.6 mm (17.94 x 10.89 in)**

### PPC-321SW



**Panel Cutout Dimensions: 520.7 x 312.4 mm (20.5 x 12.3 in)**

## Ordering Information

Part Number	Description
PPC-315SW-PDI3A	15.6" PPC w/Intel i3-1315UE, P-Cap
PPC-315SW-PDI5A	15.6" PPC w/Intel i5-1335UE, P-Cap
PPC-315SW-PDI7A	15.6" PPC w/Intel i7-1365UE, P-Cap
PPC-315SW-RDI5A	15.6" PPC w/Intel i5-1335UE, Res.
PPC-318SW-PDI3A	18.5" PPC w/Intel i3-1315UE, P-Cap
PPC-318SW-PDI5A	18.5" PPC w/Intel i5-1335UE, P-Cap
PPC-318SW-PDI7A	18.5" PPC w/Intel i7-1365UE, P-Cap
PPC-318SW-RDI5A	18.5" PPC w/Intel i5-1335UE, Res.
PPC-321SW-PDI3A	21.5" PPC w/Intel i3-1315UE, P-Cap
PPC-321SW-PDI5A	21.5" PPC w/Intel i5-1335UE, P-Cap
PPC-321SW-PDI7A	21.5" PPC w/Intel i7-1365UE, P-Cap
PPC-321SW-RDI5A	21.5" PPC w/Intel i5-1335UE, Res.
96PSA-A120W24T2-4	Power adapter 100-240V 120W 24V
1702002600	Power Cable UL/CSA (USA) 180D 125V10A 1.83M
1702002605	Power Cable 90D 220V EUROPEAN 250V/6A 1.8M
1700000237	Power Cord PSE 3P 12A 125V 183cm
96CB-POWER-B-1.8MA	Power code 3P CCC(China) 1.8M
PPC-174T-WL-MTE	Wall mount kit for PPC series
PPC-STAND-A1E	Stand for PPC series
PPC-ARM-A03	ARM VESA Standard for PPC series
PPC-WLAN-D2	M.2, WiFi6 +BT5.2, 2T2R, w/Antenna
98R3P300010	PPC-300 RFID, Read only 13.56MHz&125k
98R1P300S00	Add-on box for PCI or PCIe expansion (include PCI / PCIe riser card)**
98R1P300S10	Additional ports module (2 x USB 2.0)*

\* iDOOR , additional ports or 2.5" SATA bay can't be installed in the same time since they share the same space.

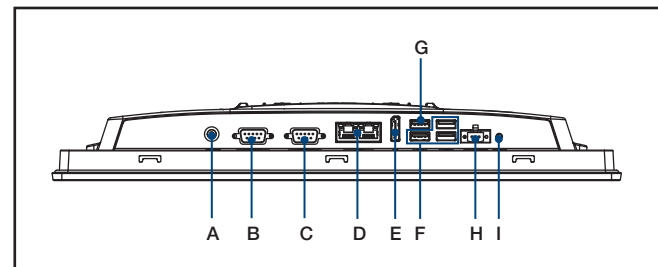
\*\* PCIe riser card supports PCIe x1 singal, but the slot is PCIe x4(PCle x1 compatible).

\*\*\* For Storage,choose either the B key or the 2.5" SATA bay.

## Support iDoor Modules

Part Number	Description
PCM-34R1TP-AE	1 port Gigabit Ethernet, Intel® I225, 2.5Gb/s, TSN
PCM-34R2GL-AE	2 ports Gigabit Ethernet, Intel® I350
PCM-34D2R4-AE	2 ports Isolated RS-422/485, DB9
PCM-34D2R2-AE	2 ports Isolated RS-232, DB9
PCM-34D4R4-AE	4 ports non-isolated RS-422/485, DB37 cable
PCM-34D4R2-AE	4 ports non-isolated RS-232, DB37 cable
PCM-37D24DI-AE	4 channels isolated digital I/O with counter, DB37
PCM-23C1CF-BE	1 slot Cfast iDoor for CFast

## I/O View



- A. Line out
- B. COM1: RS-232/422/485
- C. COM2: RS-232/422/485
- D. 2 x LAN
- E. DP
- F. 3 x USB 3.2
- G. 1 x USB 2.0
- H. DC-In
- I. Power Button

Please note: If some optional modules are offered with the system, additional system certificates may be required in certain regions/countries. Please contact Advantech for certificate compliance.