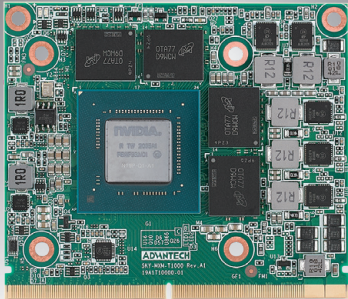


# SKY-MXM-T1000

## MXM 3.1 Type A NVIDIA® Quadro® Embedded T1000 with DP 1.4a

NEW



### Features

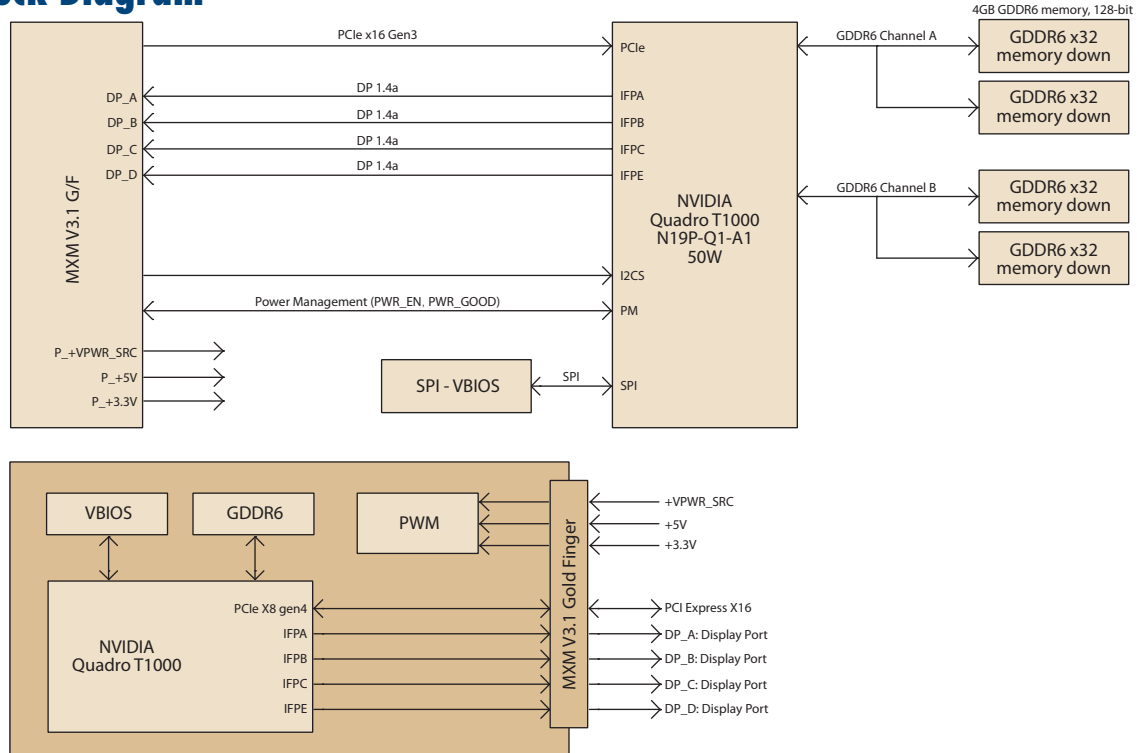
- NVIDIA® Quadro® T1000 with MXM 3.1 TYPE A form factor(82 x 70 mm)
- Up to 896 CUDA cores , 2.6 TFLOPS
- GDDR6 4GB memory, 128-bit, bandwidth 192 GB/s
- Up to 4 x DisplayPort 1.4a outputs
- Long life cycle, supports 5 years availability

CE FCC

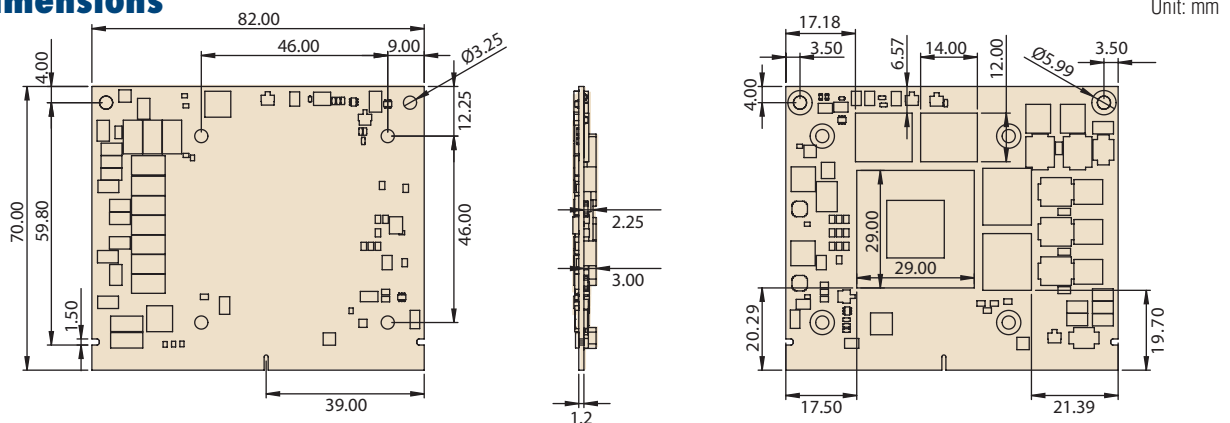
### Specifications

|                   |                                |   |  |
|-------------------|--------------------------------|---|--|
| Processor System  | GPU                            | Quadro® T1000   |  |
|                   | Graphic Architecture           | NVIDIA® Turing™ TU117   |  |
|                   | CUDA Parallel-Processing Cores | 896 CUDA® cores   |  |
|                   | GPU Base/Boost Clock           | 1395 MHZ / 1650 MHZ   |  |
|                   | FP32 Performance               | 2.6 TFLOPS  |  |
| Memory            | Technology                     | GDDR6 4GB memory  |  |
|                   | Interface Width                | 128-bit   |  |
|                   | Bandwidth                      | 192 GB/s  |  |
| Graphics          | DP                             | 4 x DisplayPort 1.4a, 4K at 120Hz or 8K at 60Hz (Requires DSC)<br>Support HDMI 2.0 via DP dual-mode, 4K at 60Hz |  |
| Bus               | PCI express 3.0                | MXM 3.1, PCI Express Gen3 x16 supports  |  |
| Power Consumption | Max Power Consumption          | 50W   |  |
| Environment       | Temperature                    | Operating   | Non-Operating                                  |
|                   |                                | 0 ~ 55 °C (dependent on CPU and cooler solution)  | -40 ~ 85 °C                                    |
|                   | Humidity                       | 40 °C @ 85% relative humidity (non-condensing)  | 60 °C @ 95% relative humidity (non-condensing) |
| Physical          | Dimensions                     | 82 (W) x 70 (D) mm  |  |
|                   | Form Factor                    | MXM 3.1 Type A  |  |
| OS                | Microsoft                      | Windows 10, 64-bit  |  |
|                   | Linux                          | Linux Drivers, 64-bit   |  |

### Block Diagram



### Dimensions



### Ordering Information

| Part Number        | GPU Memory | GPU Base/Boost Clock | FP32 Performance | Max Power Consumption | Display Connectors | Supported Features |
|--------------------|------------|----------------------|------------------|-----------------------|--------------------|--------------------|
| SKY-MXM-T1000-4SDB | 4GB GDDR6  | 1395 MHZ / 1650 MHZ  | 2.6 TFLOPS       | 50W                   | DP 1.4 * 4         | Discrete Mode      |
| SKY-MXM-T1000-4SHB | 4GB GDDR6  | 1395 MHZ / 1650 MHZ  | 2.6 TFLOPS       | 50W                   | DP 1.4 * 4         | MS Hybrid Mode     |

### Optional Accessory

| Part Number    | Description         |
|----------------|---------------------|
| 1970004906T001 | T1000 Heat Spreader |
| 1970004581T010 | T1000 Cooler        |