

IDP31-150

100% flat fronted touch, industrial grade monitors. Ultra thin profile, smooth rounded corners, bezel-less, and rugged glass fronted for a totally contemporary outlook



Features

- Regular brightness 500 cd/m² / 1200 cd/m²
- Ambient light sensors function (specific model)
- True flat surface – contemporary Proflat style
- Wide view-angle for portrait and landscape mode
- Built-in speakers (specific model)
- Thin profile, enclosure – no need for additional enclosures or metalwork
- Versatile mounting methods for front mounting and VESA mounting
- Anti-Reflective surface treatment for sunlight readable enhancement (customized request)
- RS-232 port for remote control (customized request)
- IP rating for water and dust protection

Introduction

The IDP31-150 Proflat monitor responds to a demand for contemporary styling in demanding applications such as public signage, front of house information, medical and point-of-sale. The product features a truly-flat, easy to clean and maintain glass surface with long term product availability. IDP31-150 can be used in either portrait or landscape mode and is cleverly packaged in such a way that no further mechanical parts are needed other than a VESA mount to create a display system. The use of a metal chassis provides a rugged and stable platform to build solutions for the widest range of applications.

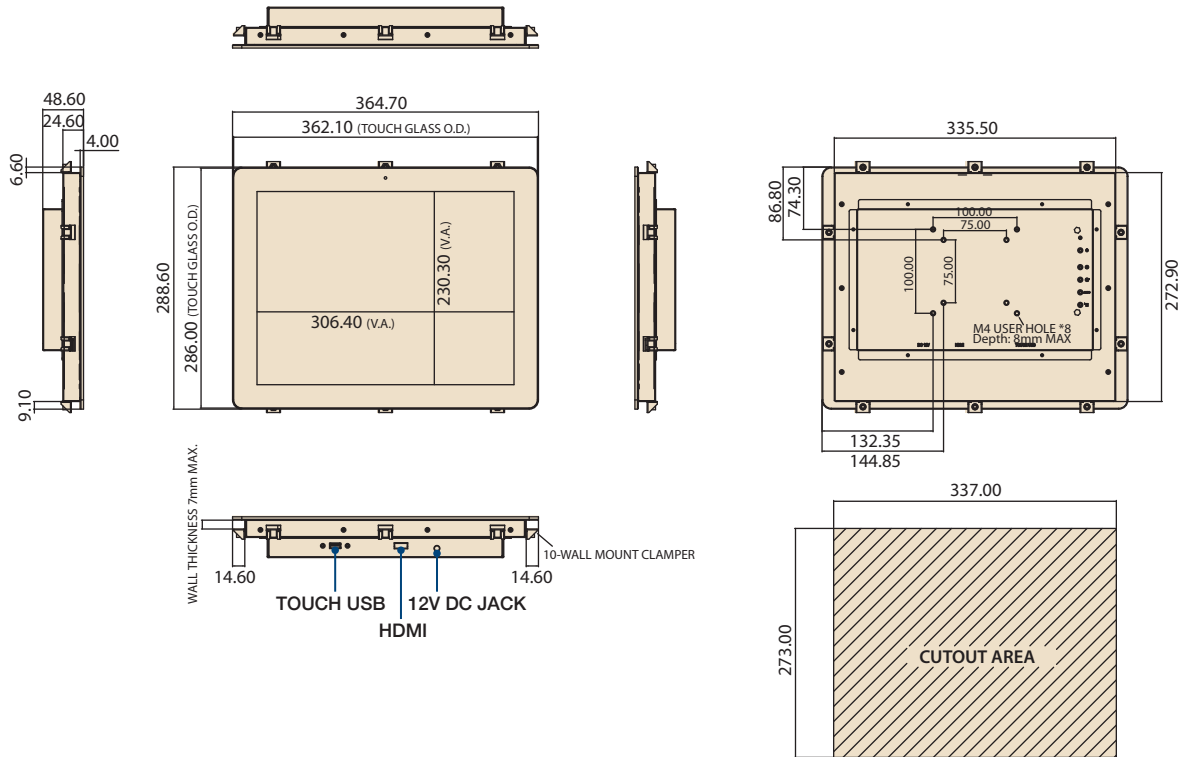
Specifications

Display Features	Spec			Notes
Model	IDP31-150P50HIA1	IDP31-150PK2HIA1	IDP31-150P50HIB1	
Backlight	LED (NTSC 60%)	KSF LED (NTSC (92%)	LED (NTSC 72%)	Light source
Resolution	1024x768	1024x768	1024 x 768	XGA
Display mode	Normally Black (IPS based)	Normally Black (IPS based)	Normally Black (MVA)	
Brightness	500 cd/m ²	1200 cd/m ²	500 cd/m ²	Measured at typical operating voltage
Viewing Angle	89°/89°/89°/89°	89°/89°/89°/89°	88°/88°/88°/88°	Left/Right/Up/Down
Max Colors	16.7M	16.7M	16.7M	
Contrast Ratio	1000:1	1000:1	2500:1	
Response Time	25ms	25ms	16 ms	Maximum
Backlight Lifetime	50,000 hours	50,000 hours	50,000 hours	Typical time to half brightness in room temperature operation
Touchscreen Type	Projected Capacitive	Projected Capacitive	Projected Capacitive	10 points
Surface Hardness	6H	6H	6H	Pencil hardness
Surface Treatment	Anti-Finger Print	Anti-Finger Print	Clear	Minimum
Operating Temperature	-20 ~ 70 °C	-20 ~ 70 °C	-20 ~ 70 °C	Surface temperature
Storage Temperature	-30 ~ 80 °C	-30 ~ 80 °C	-30 ~ 80 °C	
Humidity	40 °C, 90% RH	40 °C, 90% RH	40 °C, 90% RH	Non-condensing
Input/Output	HDMI x 1; 12 V _{DC} Jack x 1; USB x 1	HDMI x 1; 12 V _{DC} Jack x 1; USB x 1	HDMI x 1; VGA x 1; DVI-D x 1 Audio x 1 (audio output 3W) 12 V _{DC} Jack x 1; USB x 1	USB is reserved for the connection to enable touch only
OSD	Keys: Menu/Sel, Right/UP, Left/Down, Exit, Monitor Power on/off Key Functions: Brightness, Contrast, Screen Settings, Color Temp, Language, ABL Control	Keys: Menu/Sel, Right/UP, Left/Down, Exit, Monitor Power on/off Key Functions: Brightness, Contrast, Screen Settings, Color Temp, Language, ABL Control	Keys: Menu, Up, Down, Auto Adjust, Monitor Power on/off Key Functions: Brightness, Contrast, Screen Settings, Color Temp, Language OSD settings, HDMI/VGA/DVI, Recall, Auto Adjust	
Power Consumption	12.5W	20W	14W	
Power Input	12V _{DC} ± 5%	12V _{DC} ± 5%	12V _{DC} ± 5%	With barrel connector 5.5 x 2.5 mm
Mounting	VESA/Panel mount	VESA/Panel mount	VESA mount	
IP Rating	Front IP67	Front IP67	Front IP54	
Net Weight	3.5kg	3.5kg	5kg	
Ambient Light Sensors	5% min. of brightness	5% min. of brightness	NA	

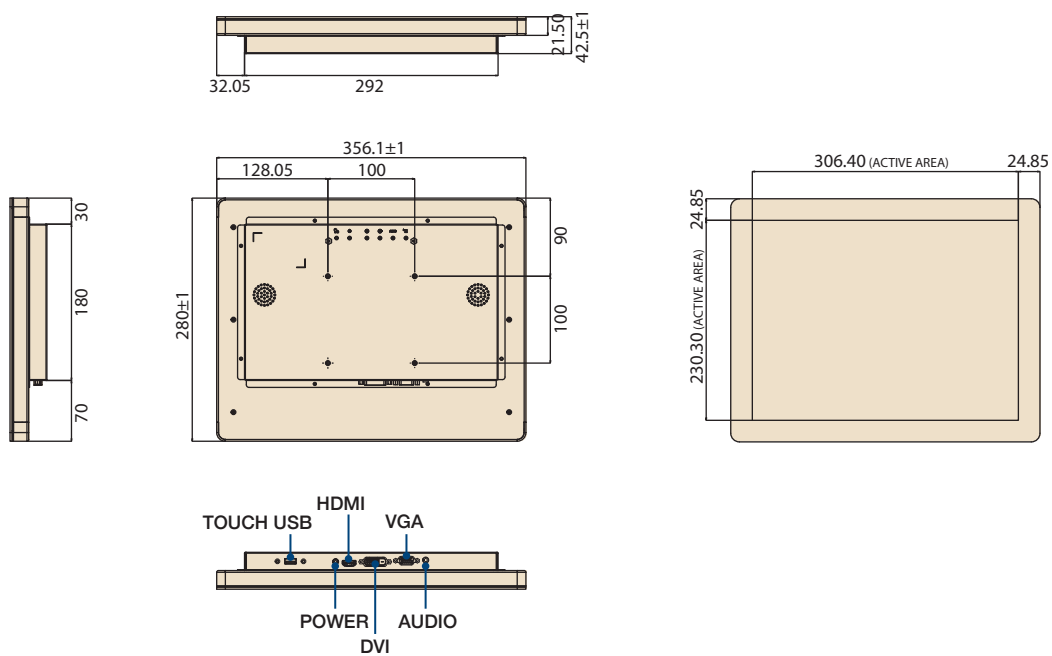
Dimensions

Unit: mm [inch]

IDP31-150P50HIA1 / IDP31-150PK2HIA1



IDP31-150P50HIB1



Ordering Information

Model Name	Description
IDP31-150P50HIA1	500CD/m ² , HDMI input, Ambient light sensor function
IDP31-150PK2HIA1	1200CD/m ² , HDMI input, Ambient light sensor function
IDP31-150P50HIB1	500CD/m ² brightness, VGA & DVI & HDMI input

Packing List

IDP31-150P50HIA1 / IDP31-150PK2HIA1

Part Number	Description
1700002215	1 x M cable USB-A(M)/USB-A(M) 180CM
1700027186-01	1 x HDMI cable 1.5 meter
1992610005	1 x Cable clamp
1962055040	8 x Clamper
1992602010	2 x Cable tie
1990020706S000	2 x USB cable clip
1931030602	2 x Screw M3_6L
1933030500	1 x Screw of cable clamp
1930002205	8 x Screw M4_30L

IDP31-150P50HIB1

Part Number	Description
1700002215	1 x M Cable USB-A(M)/USB-A(M) 180CM
1700021332-11	1 x VGA cable 15P(M) 1.8 meter

Optional Items

Part Number	Description
1702002600	3-Pin power cord (USA)
1700000596	3-Pin power cord (China)
1700018705	3-Pin power cord (EU)
1700018704	3-Pin Power Cord (UK)
1700000237-31	3-Pin power cord with PSE (Japan)
1700000243-11	M cable DVI 19P(M)/DVI 19P(M) 191cm
96PSA-A60W12R1-3	Adapter 100-240V _{AC} , 12V _{DC} /5A, PLUG 90°
1700027186-01	HDMI cable 1.5 meter
1700023591-01	HDMI cable 1.2 meter