



Connect, Visualize, Control.  
Secure OT that scales.

DATASHEET

# TOSI 375

## The all-around Plug & Go™ connectivity device



Introducing Tosi® 375 - Your workhorse for any industry. If you are in a business that needs a compact, all-in-one solution that can work nearly anywhere in the world, Tosi® 375 is for you! With its fixed ethernet interface, WiFi, or internal LTE module complemented with external antennas, you can enjoy stable remote access wherever you are. No technical expertise is needed – just plug and play!

Security at the forefront. The same top-notch Tosi® cybersecurity technology you are familiar with is packed, ensuring your connections are always safe and protected.

Enjoy the convenience of four LAN ethernet ports for effortlessly connecting additional network devices, enabling smooth operations. Digital I/O extends the VPN management out of device boundaries for versatile OT applications, adapting to your specific needs.

Building a secure and reliable infrastructure has never been this simple.



### Connect

Plug & Go™ deployment at any OT site - encrypted tunnels without network changes.



### Visualize

Every gateway brings full OT site visibility to Tosi Control - one console, entire fleet.



### Control

Built-in firewall, zero-trust, and AES-256 encryption - control who accesses what.

## PERFORMANCE

- Up to 10 Mbps VPN throughput, end-to-end encryption between Tosi devices
- Four LAN ethernet ports for conveniently connecting managed network devices
- Digital I/O support

## RELIABILITY

- Built-in global LTE modem with external antennas provides great coverage globally
- Integrated WiFi as connectivity method or access point for wireless devices on site
- TosiOnline automatic reconnection of dropped connections

## INDUSTRIAL DESIGN

- All managed interfaces are on the faceplate
- Industrial type power connector
- Robust and fanless enclosure
- DIN rail attachment

# TOSI 375 TECHNICAL DATA

Product codes: **TBN375, TBL375**

Certifications: CE, FCC, cULus, RCM

## PORTS

- 1 x RJ-45 WAN connection, 10/100 Mbps, auto-negotiation (MDI / MDI-X)
- 4 x RJ-45 LAN connection, 10/100 Mbps, auto-negotiation (MDI / MDI-X)
- 1 x USB 2.0, type A

## CONNECTIONS

- 2-pin industrial DC power socket
- 6-pin 3.5mm digital IO socket (6-pin serial interface not supported in software)
- 5-35V DC, reverse polarity protection, voltage surge/transient protection
- 1 x RP-SMA for WiFi
- 2 x SMA for LTE
- DIN rail mounting in the back
- Maximum power consumption 10W

## CONNECTION FEATURES

- 3-way WAN priority
- Proxy server support
- WAN access with static addressing or DHCP
- Network Time Protocol (NTP) server
- Automatic LAN network discovery
- LAN access with mixed static addressing and DHCP server
- Management web UI access via http/https
- Modbus server
- Static routes
- Works in all Internet connections (operator independent)
- Works with dynamic, static and private IP addresses
- Built-in firewall, NAT
- Up to 50 concurrent VPN connections
- Aggregate VPN throughput up to 10 Mbps
- Single VPN throughput up to 10 Mbps

## 4G MODULE

### TBL375

- Cellular module: Quectel EG25-G
- Region: GLOBAL
- LTE Cat-4
- Up to 150 Mbps DL, 50 Mbps UL

## FREQUENCY BANDS

- LTE FDD: B1, B2, B3, B4, B5, B7, B8, B12, B13, B18, B19, B20, B25, B26, B28
- LTE TDD: B38, B39, B40, B41
- WCDMA: B1, B2, B4, B5, B6, B8, B19

## WLAN

- IEEE 802.11 b/g/n, 2.4 GHz, max. 54 Mbps
- Encryptions WEP, WPA-PSK, WPA2-PSK, WPA-PSK/WPA2-PSK mixed mode
- Frequency 2.412 – 2.462 GHz, 11 channels
- Access point or client mode
- Output power 20 dBm max

## I/O SPECIFICATIONS

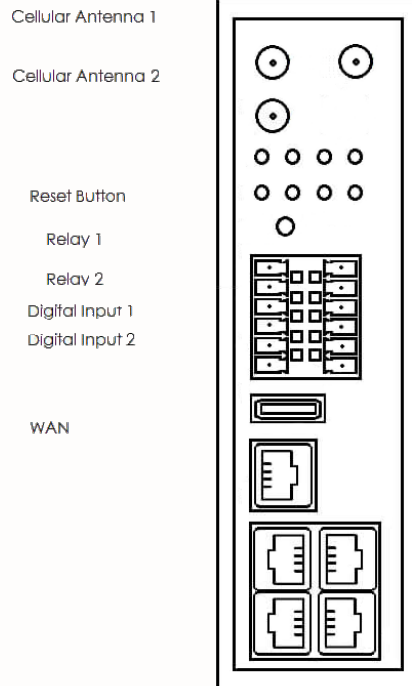
- 2 x digital input, 0~30V, 0~2V low level, about 2V high level
- 2 x digital output, relay, up to 5A and 30 VDC/250VAC output
- Software configurable I/O state

## INCLUDED ACCESSORIES

- Power supply unit
  - Input 100 – 240 VAC 50/60Hz
  - Output 12 V, 1.5 A, max 18 W
- 2 x LTE antennas (SMA male) magnetic mount (1m)
- 1 x WiFi antenna (RP-SMA male)
- 2 x 6-pin digital I/O terminal block
- 1 x 2-pin power terminal block
- DIN rail mount
- Ethernet cable (cat5e, 1m)

## PHYSICAL PROPERTIES

- 145 mm x 114 mm x 45 mm / 5.71" x 4.49" x 1.77" (W x H x L)
- Protection class IP30
- Weight 630 g / 1.39 lbs (net weight article)
- Storage temperature -35 °C ... +75 °C / -31 °F ... +167 °F
- Operating temperature -35 °C ... +75 °C / -31 °F ... +167 °F
- Power supply operating temperature 0 °C ... +40 °C / 32 °F ... +104 °F



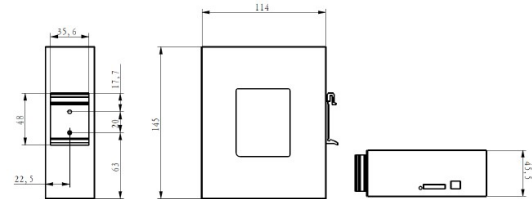
WiFi Antenna

LED Indicators

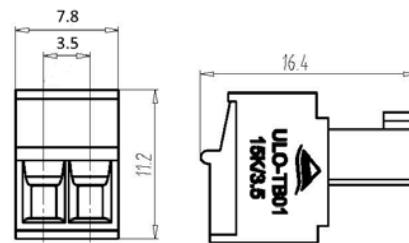
USB Port

LAN

Dimensions(mm)



Power plug



### US HQ

1212 Corporate Drive  
Suite 170  
Irving, Texas 75038

### GLOBAL HQ

Elektronikkatie 2a  
7th floor  
90590 Oulu, Finland

[CONTACT US](#)

in  