

# UNO-2372G V2

Compact Modular Box PC with  
Intel® Celeron® Processor, 2 x GbE,  
4 x USB, 4 x COM, 2 x M.2, 1 x mPCIe,  
1 x HDMI 1.4, 1 x DP 1.4

NEW



Single-stack

Double-stack



## Features

- Intel® Celeron® J6412 quad-core processor with 8GB DDR4 memory
- Compact, robust, fanless and scalable system with high stability
- 2 x GbE, 4 x USB 3.0, 4 x RS-232/422/485, 1 x HDMI 1.4b, 1 x DP 1.4
- Optional 2nd layer for up to 1 x iDoor extension or customize for domain applications
- Scalability for Wi-Fi/LTE/ cellular/ NVME drive / with I/O port flexibility
- Built-in TPM2.0 for hardware-based security
- Display port supports 4K Ultra HD
- Supports 30+ iDoor combination to expand wireless connectivity, industrial fieldbus or more I/O
- Supports NVME storage w/ high data-transmission efficiency

## Introduction

Advantech's UNO-2000 series of embedded automation computers are highly rugged, fanless systems. The modular design offers vigorous computing performance and flexible scalability with various I/O ports to support IoT Connectivity. The UNO-2372G V2 features high processing capacity, 4K resolution display ports, optimized I/O ports, and expansion options to support wire/ wireless IoT edge data transmission and processing. With an optional second expansion stack which supports Advantech's iDoor technology, system functionalities can be easily extended to satisfy specific application requirements.

## Specifications

### General

- **Certification** CE, FCC, UL, CCC, BSMI
- **Dimensions (W x D x H)** 150 x 105 x 35 (5.8" x 4.2" x 1.4") for single stack  
150 x 105 x 65 (5.8" x 4.2" x 2.6") for single stack w/  
expansion stack UNO-2372G V2 version
- **Form Factor** Small
- **Enclosure** Aluminum housing
- **Mount Options** Stand, wall, VESA (optional), DIN rail (optional)
- **Weight (Net)** Single-stack model: 0.8 kg (1.8 lb)  
Double-stack model: 1.0 kg (2.2 lb)
- **Power Requirement** 10 ~ 36 V<sub>DC</sub>
- **Power Consumption** 19W (Typical), 54W (Max)
- **OS Support** Microsoft® Windows 10, Windows 11, Advantech  
Linux (Ubuntu 20.04 Desktop/ Server)
- **Software Compatibility** WISE-Edge365

### Hardware

- **BIOS** AMI UEFI (64 Mbit)
- **Watchdog Timer** Programmable timer with 255 intervals (1 ~ 255 sec)
- **Hardware Security** TPM2.0
- **Processor** Intel® Celeron® J6412 quad-core, 2.0 GHz (max. turbo  
2.6 GHz)
- **Memory** Built-in 8 GB DDR4, 3200MHz, supports up to 32 GB  
(1 slot)
- **Graphics Engine** Intel® UHD Graphics for 10th Gen Intel® Processors
- **Ethernet** Realtek® Ethernet Controller RTL8119I-CG
- **LED Indicators** Power, RTC battery, LAN (active, status), and HDD
- **Expansion/Storage** 1 x mPCIe (PCIe/USB2.0),  
1 x M.2 B key (USB3.0) supports 3042/ 3052, 5G/ 4G/  
LTE/ Wifi  
1 x M.2 M key (PCIex2/SATA) supports 2242 NVME,  
SSD  
1 x 2.5" SSD SATA drive bay (support SSD/HDD height  
up to 9.5mm)

### I/O

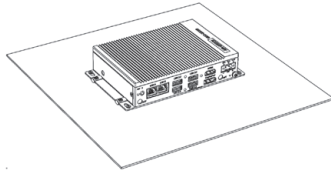
- **Serial Ports** 4 x RS-232/422/485, DB9, 50 ~ 115.2kbps
- **LAN** 2 x RJ45, 10/100/1000 Mbps IEEE 802.3u  
1000BASE-T Fast Ethernet
- **USB** 3 x USB 3.2 GEN2, 1 x USB2.0
- **Displays** 1 x HDMI 1.4 (3840 x 2160 @30 Hz)  
1 x DP 1.4 (4096 x 2160 @60 Hz)
- **Power Connector** 1 x 2-pin terminal block
- **Audio** Line-out

### Environment

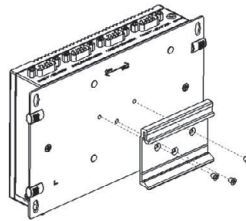
- **Operating Temperature** -20 ~ 60 °C/-4 ~ 140 °F @ 5 ~ 85% RH with 0.7m/s  
airflow
- **Storage Temperature** -40 ~ 85 °C/-40 ~ 185 °F
- **Relative Humidity** 10 ~ 95% RH @ 40 °C/104 °F, non-condensing
- **Shock Protection** Operating, IEC 60068-2-27, 50G, half sine, 11ms
- **Vibration Protection** Operating, IEC 60068-2-64, 2Grms, random,  
5 ~ 500Hz, 1hr/axis (mSATA)  
Operating, IEC 60068-2-64, 0.75Grms, random,  
5 ~ 500Hz, 1hr/axis (HDD)
- **Ingress Protection** IP40 (Base unit)  
IP20 (Expansion stack)

## Installation Scenario

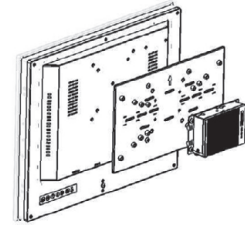
Stand/Wall Mount



DIN-Rail Mount (Optional)



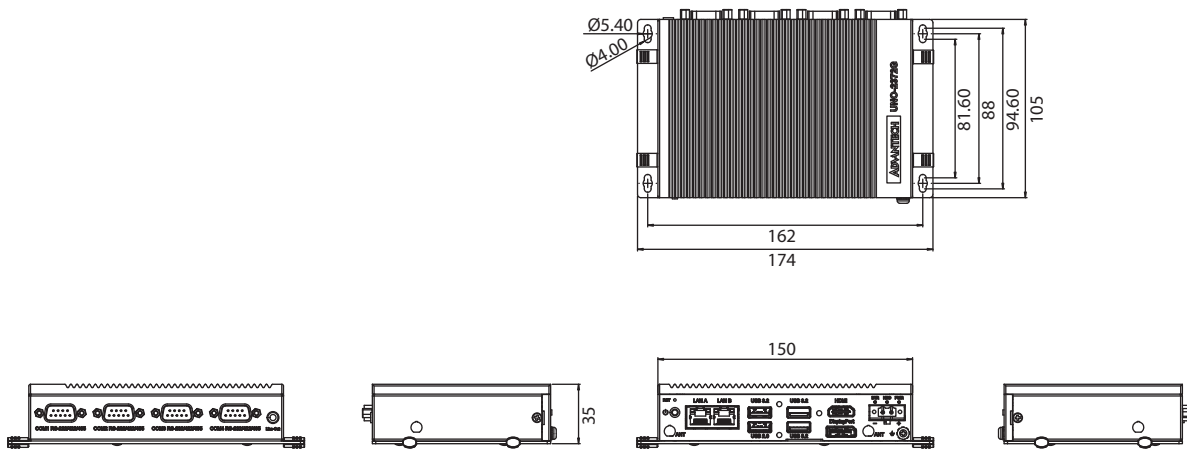
VESA Mount (Optional)



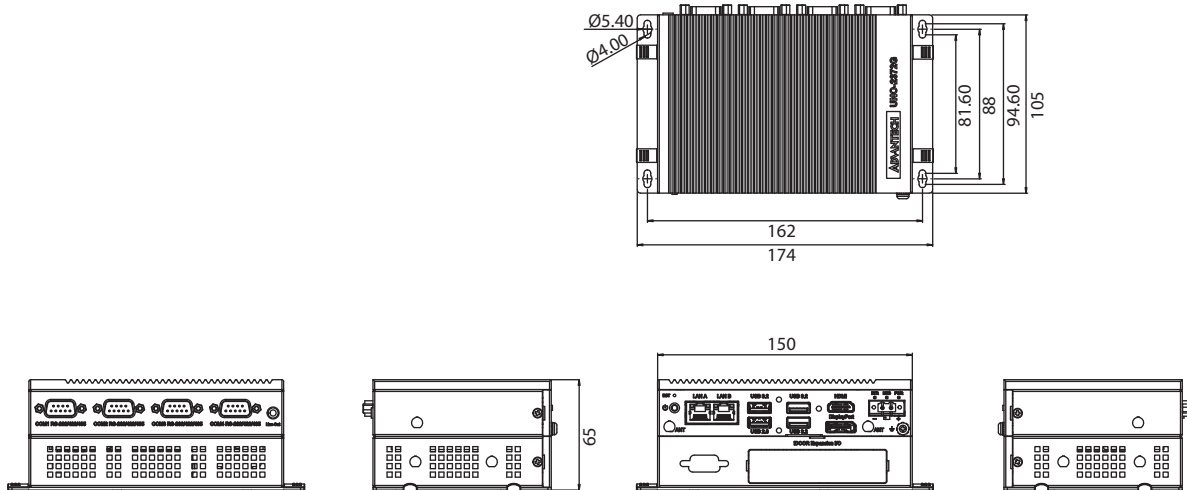
## Dimensions

Unit: mm

UNO-2372G V2 Single stack



UNO-2372G V2 Single stack + Expansion stack

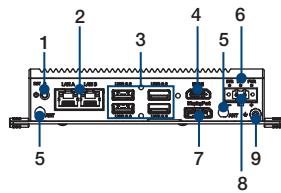


## Ordering Information

Ordering P/N	CPU	Memory	M.2	mPCIe slot	iDoor	USB	COM	LAN	Antenna hole
UNO-2372G-J231AE	Intel Celeron J6412	8G DDR4	M key *1 B key *1	1	1 (with 2nd stack UNO-2372G-EKCE)	4	4	2	4 (Base unit)

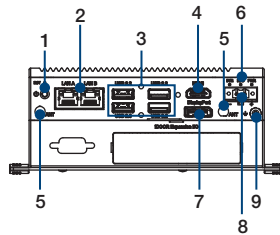
## Front I/O

### Single Stack



1. Power button
2. RJ45 LAN
3. 3 x USB 3.2 GEN1, 1 x USB2.0
4. HDMI 1.4
5. Reserved antenna

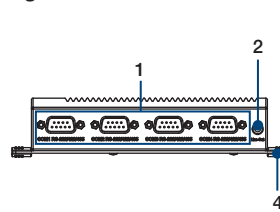
### Double Stack



6. Power, Battery, HDD LEDs
7. DisplayPort 1.4
8. Power connector
9. Chassis grounding

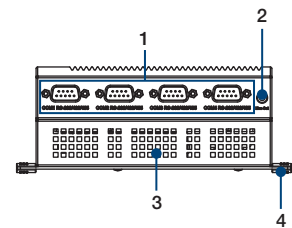
## Rear I/O

### Single Stack



1. RS-232/422/485
2. Line-out

### Double Stack



3. iDoor expansion slot
4. Rubber stopper

## iDoor Modules

Supported by "single stack" models with extension stack

- **PCM-24R2GL-AE** 2-Port Gigabit Ethernet, mPCIe, RJ45
- **PCM-24D2R2-BE** 2-Port Isolated RS-232 mPCIe, DB9
- **PCM-24D4R4-BE** 4-Port Non-Isolated RS-422/485 mPCIe, DB37
- **PCM-27D24DI-AE** 24-Channel Isolated Digital I/O w/ counter mPCIe, DB37
- **PCM-24D2R4-BE** Isolated RS-422/485, DB9 x 2, (USB type)
- **PCM-24D4R2-BE** Non-Isolated RS-232, DB37 x 1 (USB Type)
- **PCM-24U2U3-BE** 2-Port USB 3.0, mPCIe
- **PCM-23S34G-CE** EG25G LTE/HSPA+/GPRS, mPCIe, Ant
- **PCM-26D2CA-CE** 2-Port CANBus, mPCIe, DB9 x 2 (PCIe Type)
- **PCM-26D2CA-CE** 2-Port CANBus, mPCIe, DB9 x 2 (USB Type)
- **PCM-24S2WF-CE** 802.11 a/b/g/n/ac 2T2R w/BT4.1, Intel AC9260

Contact Advantech for more compatible iDoor solutions

## Optional Accessories

- **96PSA-A60W24T2-3** A/D 100 ~ 240V 60W 24V C14 cord end terminal power adapter
- **1702002600** Power cable, US plug, 1.8 m (industrial grade)
- **1702002605** Power cable, EU plug, 1.8 m (industrial grade)
- **1702031801** Power cable, UK plug, 1.8 m (industrial grade)
- **1700000596** Power cable, China/Australia plug, 1.8 m (industrial grade)
- **UNO-2000G-DMKAE** UNO-2000 DIN-rail kit
- **UNO-2000G-VMKAE** UNO-2000 VESA mount kit
- **UNO-2000-LKAE** Cable locking kit, 10 units per pack
- **UNO-REPWR-AE** Remote power and reset control kit for UNO

## Embedded OS

- **20704WX1ES0011** Img Win10 LTSC V6.08 B029 UNO-2372G\_V2 Entry

Please note: If some optional modules are offered with the system, additional system certificates may be required in certain regions/countries. Please contact Advantech for certificate compliance.

# Extended Module

## UNO-2372G-EKCE

Second stack module for supporting 1 \*iDoor on UNO-2372G V2



### Specifications

General	
Ports	1 x iDOOR (Chassis only)
Dimensions	150 x 155 x 35 mm
Weight	200g
Antenna hole	4

### Ordering Information

P/N	Description
UNO-2372G-EKCE	UNO-2372G V2 2nd stack expansion module