

10" Resistive Touch PC

FT10N3350RES

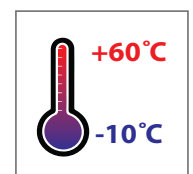


- Intel® Celeron® N3350 DualCore CPU
- 4GB RAM memory, 128GB Industrial SSD
- Supports Windows 10 & Linux (32Bit, 64Bit)
- Anti-glare front with 3H surface hardness
- 5-Wire Resistive touch technology
- High-quality black aluminum housing
- Standard and 3-Pin power connector (screwable)
- Integrated W-LAN
- 2 year guarantee

faytech's Resistive Touch PC series stands out among competition with its fanless silent operation and robust aluminum housing with stable VESA 100 fixation bolts.

The touch PC is powered by faytech's industrial Apollo Lake mainboard. It is driven by the Intel® Celeron® N3350 DualCore processor with up to 2.40 GHz clock frequency. This version is equipped with 4GByte RAM, 128G SSD and Intel's HD Graphic chipset, supporting Full HD, DirectX 11.1 and OpenGL 4.0.

These faytech PCs are the perfect choice for a wide variety of applications including POS systems, control panels in industrial fields, in kiosk systems, office/residence automation, digital signage and in areas like shopping malls, classrooms, hotels and many more.



| | |
|----------------------------------|-------------------------------------|
| Product name | 10" Resistive Touch PC |
| Model number / EAN number | FT10N3350RES / 6920734009718 |

| | |
|------------------------|--|
| IP Rating | |
| IP40 Front / IP40 Back | |

| | |
|---|--------------|
| LCD Panel | |
| Screen diagonal (Inch/cm) | 9.7/24.64 |
| Display active screen size (cm) | 19.70×14.70 |
| Aspect ratio | 4:3 |
| Physical resolution | 1024×768 |
| External Maximum showable resolution - HDMI, DP | 1920×1200 |
| Colours displayed | 16.7M |
| Brightness (cd/m ²) | 350 |
| Contrast | 800:1 |
| Typical reaction time Tr / Tf (ms) | 10/15 |
| Visual Angle horizontal / vertical (°) | 170/170 |
| Backlight / Backlight Lifetime (hours) | LED / 20,000 |

| | |
|-------------------------------|-------------------------|
| Operation / Mechanical | |
| Operating Temperature (°C) | -10 ~ +60 |
| Humidity Range (RH) | 10% - 90% |
| Net weight (kg) | 2.30 |
| Gross weight (kg) | 3.00 (incl. cartontage) |
| Housing material | Aluminum |
| Housing (cm) L × W × H | 25.90 × 20.60 × 5.35 |
| Mounting | VESA 100 |

| | | |
|--|-----------------------------------|-----------------------|
| Internal Connectors (occupied) | | |
| 1x SO-DIMM, max. 4GB, DDR3L 1333/1600/1867 non-ECC Single channel memory | | |
| 3x RS232/RS485 COM connectors switchable in BIOS | | |
| 2x LCD Backlight control/LCD panel voltage box | | |
| 1x 5V/12V SATA power connector | 1x 12V DC power connector (2-pin) | |
| 1x 4-pin SATA power connector | 1x S/PDIF output pin header | |
| 1x 8-bit Digital I/O interface | 1x Line-out / Mic-in header | |
| 1x Front Panel box header | 1x Serial ATA 6Gb/s | |
| 1x MIPI CSI connector | 1x LVDS box header | 2x USB 3.0 box header |

| | |
|----------------------|--|
| PC System | |
| CPU | Intel® Celeron® DualCore N3350 |
| Graphic GPU | Intel® HD Graphics |
| Audio | Realtek ALC3236 Audio CODEC |
| Memory | 4GB DDR3L non-ECC |
| Storage (switchable) | faytech Industrial 128GB SSD |
| Network | 2x Realtek PCIe GB LAN 8111G (1x optional with POE); W-LAN |
| Driver Support | Win10; Linux; 32Bit/64Bit |
| Preinstalled OS | Linux Ubuntu |

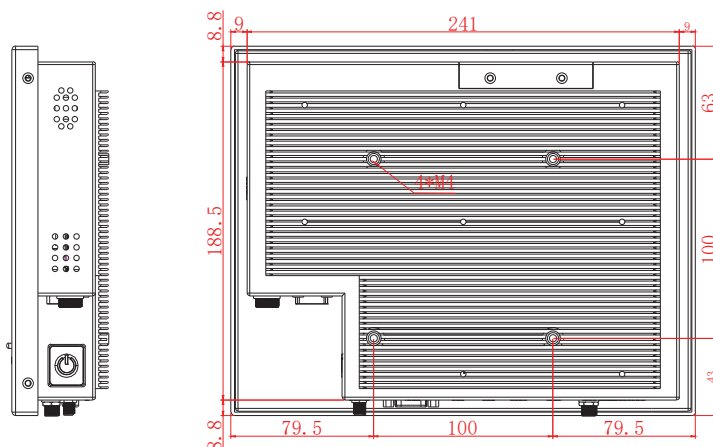
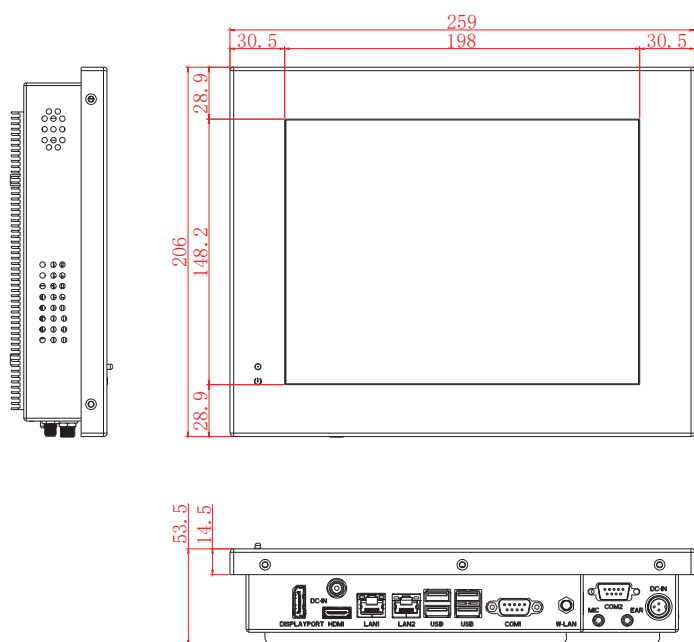
| | |
|-----------------------|--|
| Touch Panel | |
| Touch Technology | 5-Wire Resistive |
| Touch Connector | USB |
| Touch Life (Contacts) | 10 million in 1 location without failure |
| Surface Hardness | 3H |
| Surface Treatment | Anti-glare |

| | |
|--------------------------|--|
| Power | |
| Power Indicator | Green LED |
| Power Supply | 100-240V ACDC active switching; 12V DC-Out |
| Working Power (V) | 12 |
| Power Consumption (W) | 14 |
| Stand-By Consumption (W) | <1 |

| | |
|--|------------|
| External Connectors | |
| 1x 12V DC-In (screwable) | |
| 1x 12V 3-Pin DC-In (screwable) | |
| 1x W-LAN antenna connector (RP-SMA male) | |
| 2x USB 3.0 | 2x USB 2.0 |
| 1x HDMI | 1x DP |
| 1x MIC-In & EAR-Out | |
| 2x COM port Full-PIN - RS232/485; 5V/12V | |
| 2x 10/100/1000Mbit RJ45 Ports | |
| 1x 2.5" module slot, changeable SSD included | |

| | |
|---|--|
| Expansion Slots | |
| 1x mSATA full size (occupied by SSD) | |
| 1x M.2 E-Key Slot (occupied by Wifi card) | |
| 1x SATA connector | |
| 1x External PCIe x1 Straddle connector | |

| | |
|----------------------------------|--|
| Included in the Delivery | |
| Power Supply (see Power section) | |
| W-LAN antenna (RP-SMA female) | |
| Short Installation Manual | |



Tolerance: ± 0.8mm

Corporate Headquarters

faytech AG

Bischhäuser Aue 10
37213 Witzenhausen
Germany

support@faytech.com
contact@faytech.com
www.faytech.com

China: +86 755 8958 0612
Germany: +49 5542 30374 10
USA: +1 646 205 3214
India: +91 11 49707436
Japan: +070 4127 5167