

PWS-472

5" Industrial-Grade Handheld Terminal with ARM® Cortex™-A53 Quad-Core Processor



Features

- ARM® Cortex™-A53, quad-core, 1.3 GHz processor with Android 5.1
- 5" HD (1280 x 720) capacitive touchscreen
- Lightweight design (295 g)
- IP65 rated for protection from water and dust
- Wide operating temperature range (-20 ~ 60 °C)
- Wi-Fi, Bluetooth, GPS, BeiDou, and 4G LTE communication capabilities
- 13-megapixel auto-focus camera and optional 1D/2D barcode scanner



Introduction

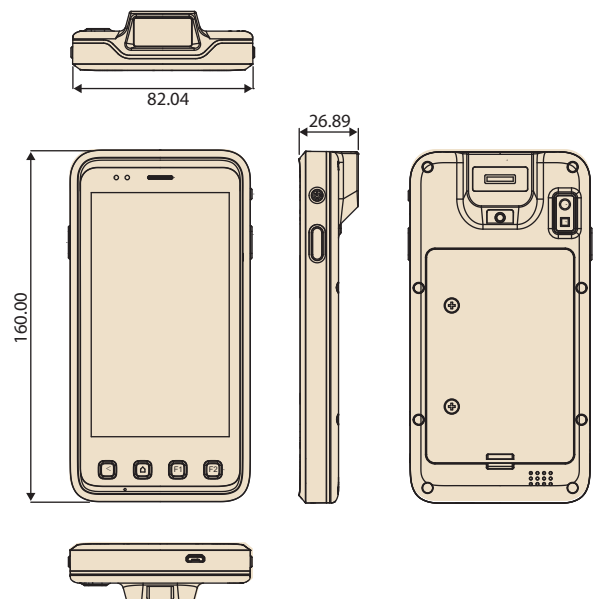
PWS-472 is an industrial-grade handheld terminal equipped with an ARM® Cortex™-A53, quad-core, 1.3 GHz processor and a 5" HD (1280 x 720) capacitive touchscreen. The inclusion of Wi-Fi (802.11 a/b/g/n), Bluetooth, GPS, and WWAN communication technologies ensures high connectivity, while the 1D/2D barcode scanner and 13-megapixel camera with auto-focus provide convenient data collection tools. To withstand operation in harsh environments, PWS-472 is IP65 rated for protection from water and dust ingress, making it ideal for retail, warehouse, and manufacturing applications.

Specifications

| | | |
|------------------------|------------------------|---|
| System | Processor | ARM® Cortex™-A53, quad-core, 1.3 GHz |
| | Memory | 2 GB |
| | Operating System | Android 5.1 |
| Storage | Flash | 16 GB |
| | SD Card | MicroSD (up to 32 GB) |
| Display | Type | 5" LCD |
| | Resolution | 1280 x 720 HD |
| | Brightness | 350 cd/m ² |
| Touchscreen | Type | Capacitive touch |
| | Construction | GFF |
| Multimedia | Speaker | 1 x Internal 1W speaker |
| | Microphone | 1 x Internal microphone |
| Camera | Rear | 1 x 13 MP camera with LED flash and auto focus |
| Sensors | | E-compass, g-sensor, light sensor |
| I/O | I/O Ports | 1 x Micro USB 2.0 client (via charging cable) 1 x Standard SIM |
| | Buttons | 1 x Power button |
| | | 2 x Scanner trigger buttons 4 x Function keys |
| Wireless Communication | WLAN/Bluetooth | IEEE 802.11 a/b/g/n Bluetooth V4.1 BLE |
| | NFC | Compatible with ISO 15693, ISO 14443A/B, MIFARE® |
| | WWAN | LTE: B1, B3, B38, B39, B40, B41 |
| GNSS | Satellite System | GPS, GLONASS, Galileo, and BeiDou |
| Power System | Voltage Input | 5V, 2A |
| | Battery | 3.7V 3200mAh lithium-polymer battery (swappable) |
| Mechanical | Dimensions (W x D x H) | 82.04 x 160 x 26.89 mm (3.22 x 6.29 x 1.05 in) |
| | Weight | 295 g (0.650 lbs) with battery |
| Environment | Operating Temperature | -20 ~ 60 °C/-4 ~ 140 °F (0 ~ 40 °C/32 ~ 104 °F when charging) |
| | Storage Temperature | -30 ~ 70 °C/-22 ~ 158 °F |
| | IP Rating | IP65 |
| | Safety | CB, CCC, BSMI |
| | Certifications | CE, FCC, CCC, BSMI, KC |

Dimensions

Unit: mm



Ordering Information

| Part Number | Configuration | | | | | | | | | | | |
|--------------|---------------|-----|--------|---------|-------------|-------|-----|------|-----|-----|-----------|-------------|
| | CPU | LCD | Memory | Storage | Rear Camera | Wi-Fi | BT | GNSS | 4G | NFC | 1D/2D BCR | OS |
| PWS-472-C10E | Cortex-A53 | 5" | 2 GB | 16 GB | Yes | Yes | Yes | Yes | Yes | Yes | Yes | Android 5.1 |
| PWS-472-C20E | Cortex-A53 | 5" | 2 GB | 16 GB | Yes | Yes | Yes | Yes | Yes | Yes | N/A | Android 5.1 |

Packing List

| Description |
|--|
| 1 x 3.7V 3200mAh lithium-polymer battery |
| 1 x AC/DC adapter |
| 1 x USB to micro USB cable |
| 1 x Hand strap |

PWS-472 UHF RFID Reader

5" Industrial-Grade Handheld Terminal with
ARM® Cortex™-A53 Quad-Core Processor and
UHF RFID Reader



Features

- ARM® Cortex™-A53, quad-core, 1.3 GHz processor with Android 5.1
- 5" HD (1280 x 720) capacitive touchscreen
- Communication capabilities includes Wi-Fi, Bluetooth, GPS, and BeiDou
- Built-in 13-megapixel auto-focus camera and 1D/2D barcode scanner
- Long-range UHF RFID capabilities (compatible with EPC C-1 G-2/ISO 18000-6C)
- User-friendly trigger button
- IP54 rated for protection from water and dust
- Wide operating temperature range (-20 ~ 60 °C)

Introduction

PWS-472 UHF RFID reader is designed for wireless long-range data collection. Compliant with EPC C-1 G-2/ISO18000-6C standards, the industrial-grade design is ideal for diverse warehouse, manufacturing, and logistics applications.

Specifications

| | | |
|------------------------|------------------------|---|
| System | Processor | ARM® Cortex™-A53, quad-core, 1.3 GHz |
| | Memory | 2 GB |
| | Operating System | Android 5.1 |
| Storage | Flash | 16 GB |
| | SD Card | MicroSD (up to 32 GB) |
| Display | Type | 5" IPS LCD |
| | Resolution | 1280 x 720 HD |
| | Brightness | 350 cd/m ² |
| Touchscreen | Type | Capacitive touch |
| | Construction | GFF |
| Multimedia | Speaker | 1 x Internal 1W speaker |
| | Microphone | 1 x Internal microphone |
| Camera | Rear | 1 x 13 MP camera with LED flash and auto focus |
| Sensors | | E-compass, g-sensor, light sensor |
| I/O | I/O Ports | 1 x Micro USB 2.0 client (via charging cable) 1 x Standard SIM |
| | Buttons | 1 x Power button |
| | | 2 x Scanner trigger buttons 4 x Function keys |
| Wireless Communication | WLAN/Bluetooth | IEEE 802.11 a/b/g/n Bluetooth V4.1 BLE |
| | UHF RFID | Standard support: EPC C-1 G-2/ISO18000-6C Frequency range: 840 ~960 MHz Output power: 30dBm |
| GNSS | Satellite System | GPS, GLONASS, Galileo, and BeiDou |
| Power System | Voltage Input | 5V, 1A |
| | Battery | 3.7V 9600mAh lithium-polymer battery (swappable) |
| Mechanical | Dimensions (W x D x H) | 160 x 150 x 80 mm (6.29 x 5.9 x 3.14 in) |
| | Weight | 650 g (1.43 lbs) with battery |
| Environment | Operating Temperature | -20 ~ 60 °C/-4 ~ 140 °F (0 ~ 40 °C/32 ~ 104 °F when charging) |
| | Storage Temperature | -30 ~ 70 °C/-22 ~ 158 °F |
| | IP Rating | IP54 |

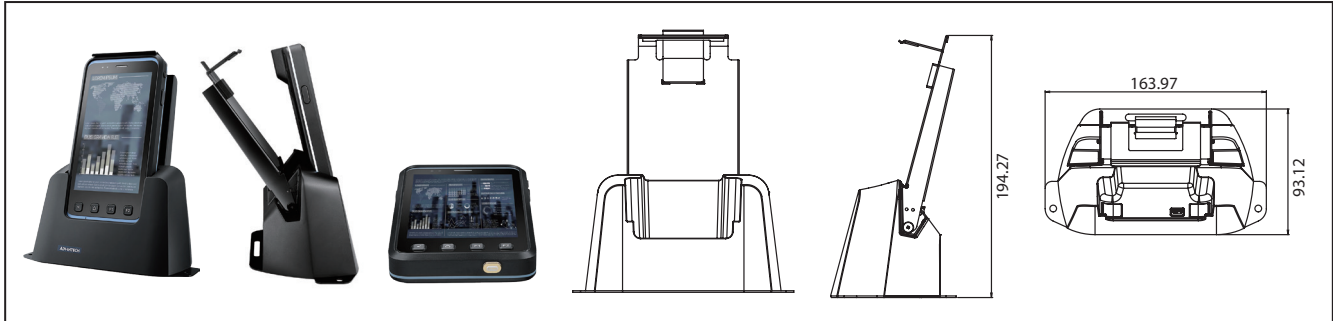
Ordering Information

| Part Number | Configuration | | | | | | | | | | | | |
|--------------|---------------|-----|--------|---------|----------|-------|----|------|----|-----|----------|---------------|-------------|
| | CPU | LCD | Memory | Storage | Rear CAM | Wi-Fi | BT | GNSS | 4G | NFC | UHF RFID | 1D/2D Barcode | OS |
| PWS-472-C30E | Cortex-A53 | 5" | 2 GB | 16 GB | V | V | V | V | X | X | V | V | Android 5.1 |



PWS-472 Peripherals

Docking Station



Features

- Suitable for desktop and vehicle-mount installation
- Compliant with SAE J1455 standards for shock and vibration tolerance
- Dock with battery charger only
- Magnetic connector design for easy docking/undocking
- Power input: 5V/1A
- Operating temperature: -20 ~ 60 °C
- Dimensions: 163.97 x 93.12 x 194.27 mm (6.45 x 3.66 x 7.64 in)
- Weight: 450 g (0.99 lb)

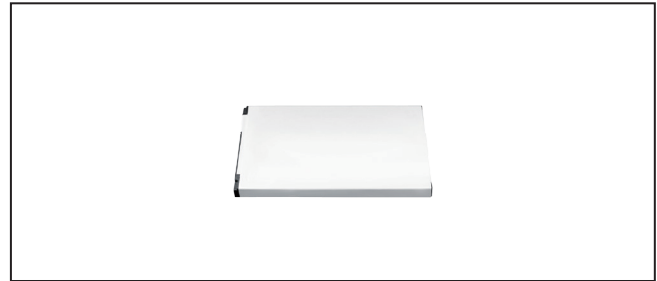
Tablet Holster



Features

- Easy-access active pen /stylus holder
- Dimensions: 220 x 156 x 115 mm (8.66 x 6.14 x 4.52 in)
- Weight: 145 g (0.31 lb)
- Can be worn on the shoulder or waist

Spare Battery



Features

- Capacity: 3.7V/3200mAh
- Dimensions: 83 x 42 x 9 mm (3.26 x 1.65 x 0.35 in)
- Weight: 64 g (0.14 lb)

Multi-Bay Battery Charger



Features

- Charging time: 3 hr
- Charge status LED indicators
- Operating temperature: 0 ~ 40 °C
- Power input: 19V/3.42A, external adapter included
- Screw holes for table-top/wall-mount installation
- Dimensions: 250 x 112 x 20.7 mm (9.84 x 4.4 x 0.81 in)
- Weight: 420 g (0.92 lb)
- Supports up to 4 external batteries

Ordering Information

| Part Number | Description |
|--------------------|---|
| PWS-470-VCRADLE00E | Docking station with battery charger only |
| PWS-472-BAT100E | 3.7V/3200mAh lithium-polymer battery |
| PWS-472-BAG100E | Tablet holster |
| PWS-472-MBC100E | Multi-bay battery charger |
| 1654013554-01 | Micro USB magnetic male connector |