

106 KEY LED BACKLIT KEYBOARD WITH 50mm LASER TRACKBALL

IP67 sealing



This „Duralight“ 106 key backlit keyboard has a multi-functional layout with separate numerical- and control keypads and integrates a large 50mm laser optical trackball.

MAIN FEATURES

- User-friendly layout with separate numerical-, control- and function keypads
- High brightness LED's with fibre optics
- Illumination of the key legends and contour, the trackball contour and even customer logo's or trademarks (optional)
- Low power LED's warrant for a long life
- No external power supply necessary, keyboard port power sufficient
- Dimmable backlighting at 8 levels by two dedicated keys
- Intelligent luminosity setting of “numlock” and capslock” LED's
- White backlighting as standard, other colours on request
- Customized backlight control by an external DC voltage , PWM signal or potentiometer is available on request
- Removable ball for easy cleaning

Panel mount version :

- Aluminium carrier
- Front panel mounting by means of M3 threaded studs.
- Added silicon sponge seal for perfect sealing into the user's panel
- The rear side components are protected by a covering metal plate
- Version with bezel : In case the keyboard can not be counter sunk mounted we recommend this version
- Dimensions / weight :
version with bezel : 447,5 x 167,5 x 50 mm / 1,3 kg
version without bezel : 432 x 152 x 50 mm / 1,2 kg

GENERAL TECHNICAL SPECIFICATIONS

Sealing	: IP67 sealed
Keys	: 106 short travel switches, tactile feel switches with 0,3 mm travel and 2,55 N operating force
Pointing Device	: 50 mm laser optical trackball, grey ball
Output	: 1.8 m shielded USB cable
Power requirements	: Directly from USB port
Operating temp.	: -15°C to +60°C
Front layer	: Black polyester front layer with embossed keys, scratch and chemical resistant

Enclosed version :

- The keyboard is mounted in a robust, steel enclosure
- Industrial epoxy coating (mid-grey)
- Dimensions / weight : 475 x 211 x 73 mm / 3,5 kg

CUSTOMIZATION

Possible customization includes adapted backlighting controls, addition of company logo or specific function keys, different layouts, different colour, all this without having to reapply for certification!



ORDER INFO

LAYOUT	PANEL MOUNT WITH BEZEL	PANEL MOUNT	ENCLOSED
US Qwerty	KSMX106 B1 USB-WLED	KSMX106 F1 USB-WLED	KSMX106 S1 USB-WLED
RU Cyrillic	KSMX106 B7 USB-WLED	KSMX106 F7 USB-WLED	KSMX106 S7 USB-WLED
GE German Qwertz	KSMX106 B49 USB-WLED	KSMX106 F49 USB-WLED	KSMX106 S49 USB-WLED



DIMENSIONAL DRAWING

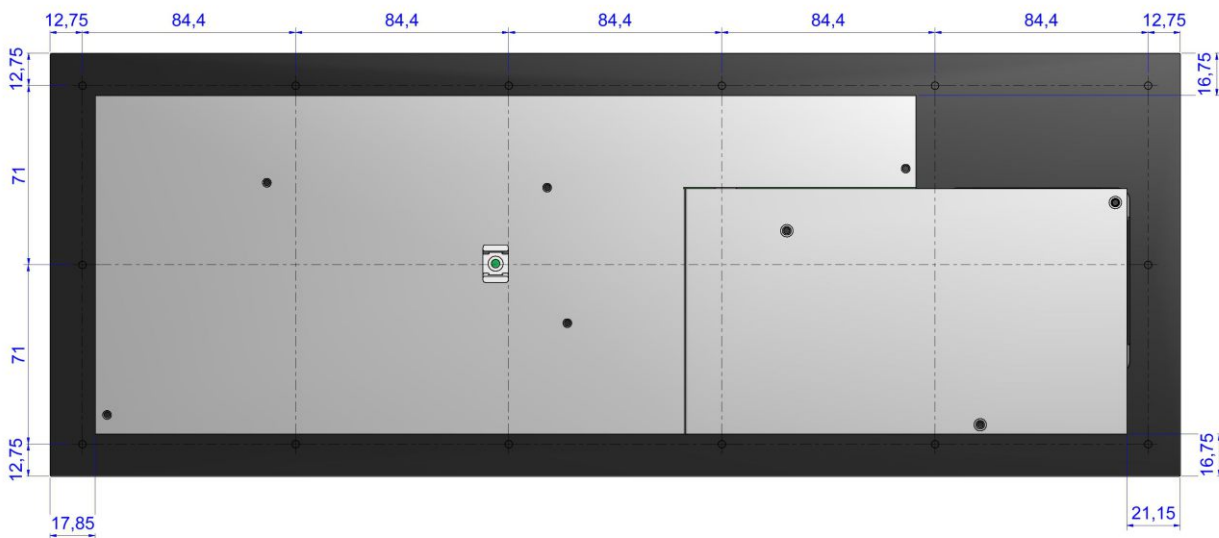
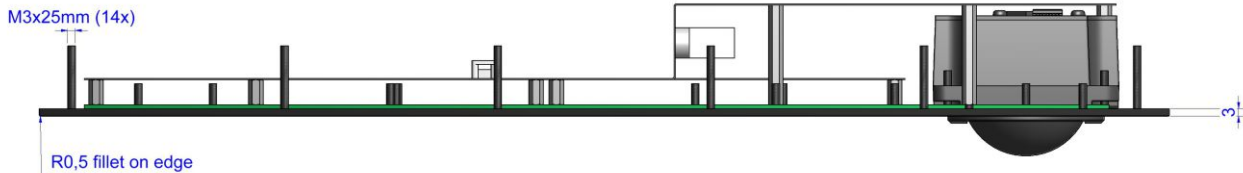
panel mount version with edge protection bezel - KSMX106B



COLOURS

Keyboard & Key Background : PANTONE Black 2 C 2X

Key edges & key legends : white Translucent



DIMENSIONAL DRAWING

panel mount version without bezel - KSMX106F

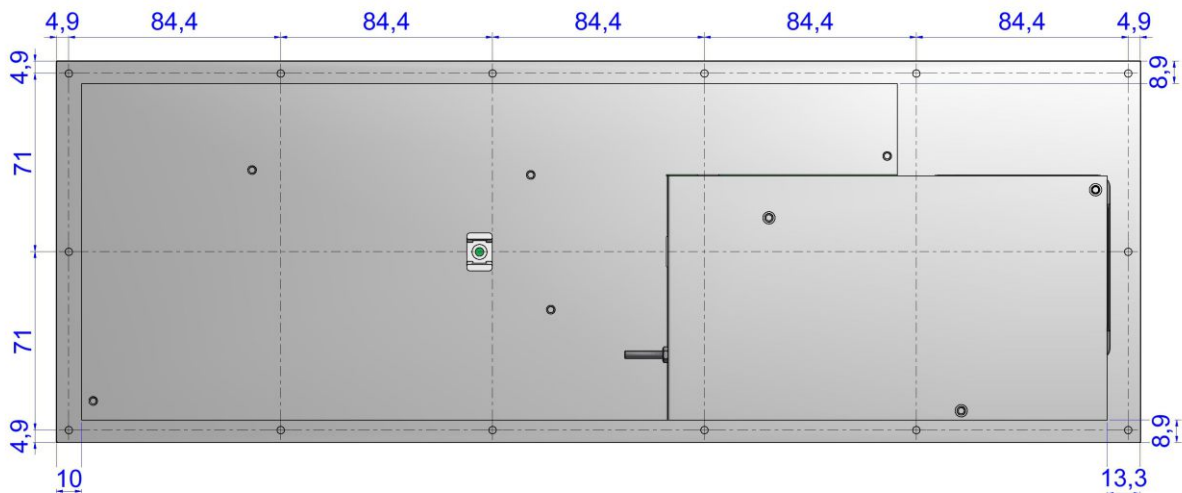
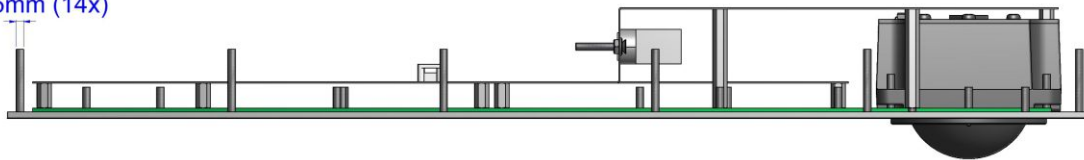


COLOURS

Keyboard & Key Background : PANTONE Black 2 C 2X

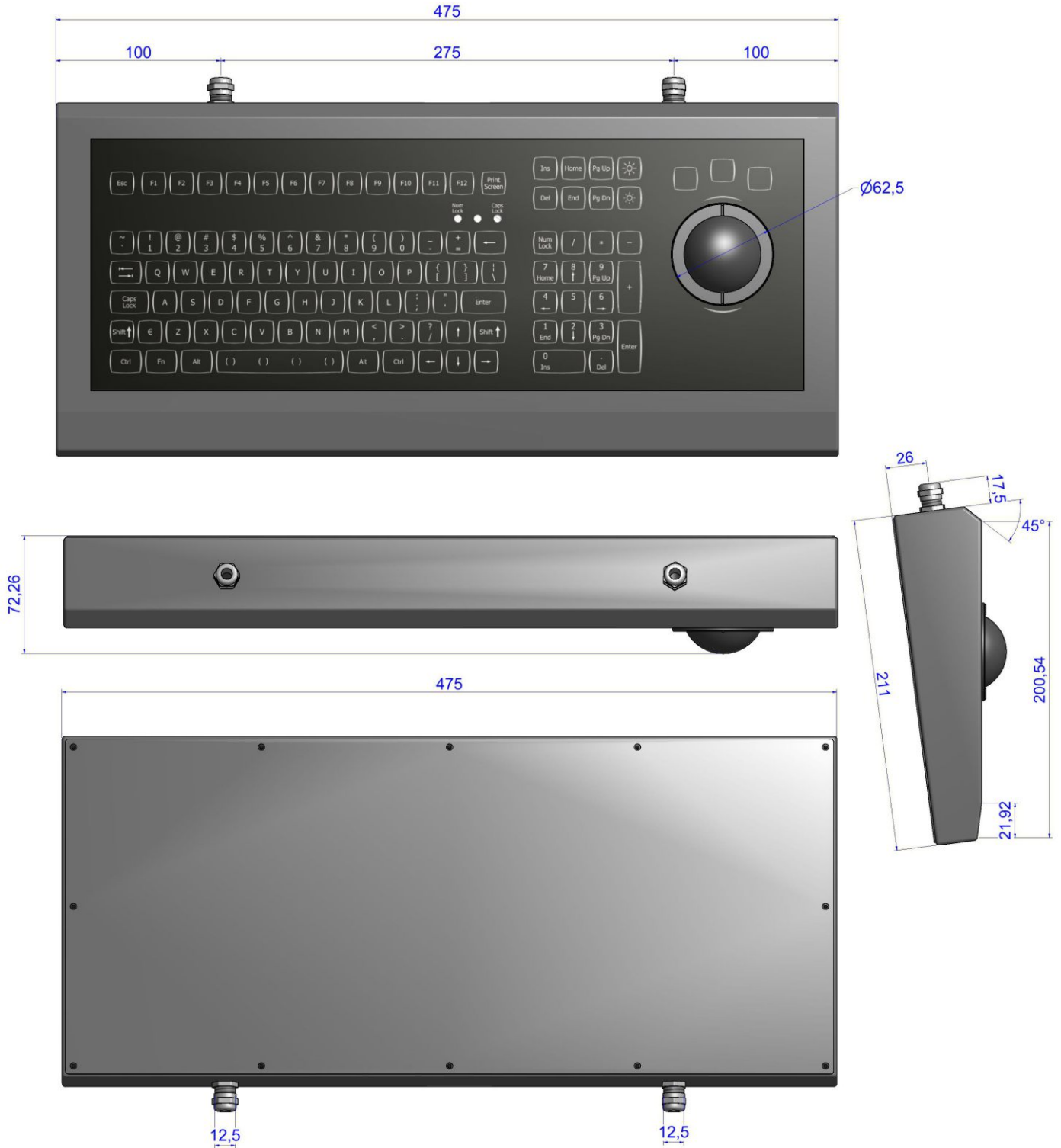
Key edges & key legends : white Translucent

M3x25mm (14x)



DIMENSIONAL DRAWING

enclosed version - KSMX106S



COLOURS

Keyboard & Key Background : PANTONE Black 2 C 2X
Key edges & key legends : white translucent