

TPM-3617P

Arestech

IP66/69K Protected 17" Stainless Steel Industrial Monitor
with P-Cap Touchscreen



Features

- IP66/69K Protected Stainless Steel 316 Flat Panel Design
- 17" LCD, Resolution 1280 x 1024
- 12 ~ 24 V DC power input (M12 Connector)
- VGA and USB (M12 Connector); HDMI port (option)
- VESA and Yoke mounting

Applications

- Food & Beverage Processing Industrial
- Pharmaceutical and Biopharmaceutical Equipment
- Embedded HMI Display System
- Factory Manufacturing Automation
- Chemical, Gas & Oil Critical Environment

→ Packing List

Description
1 x TPM-3617P

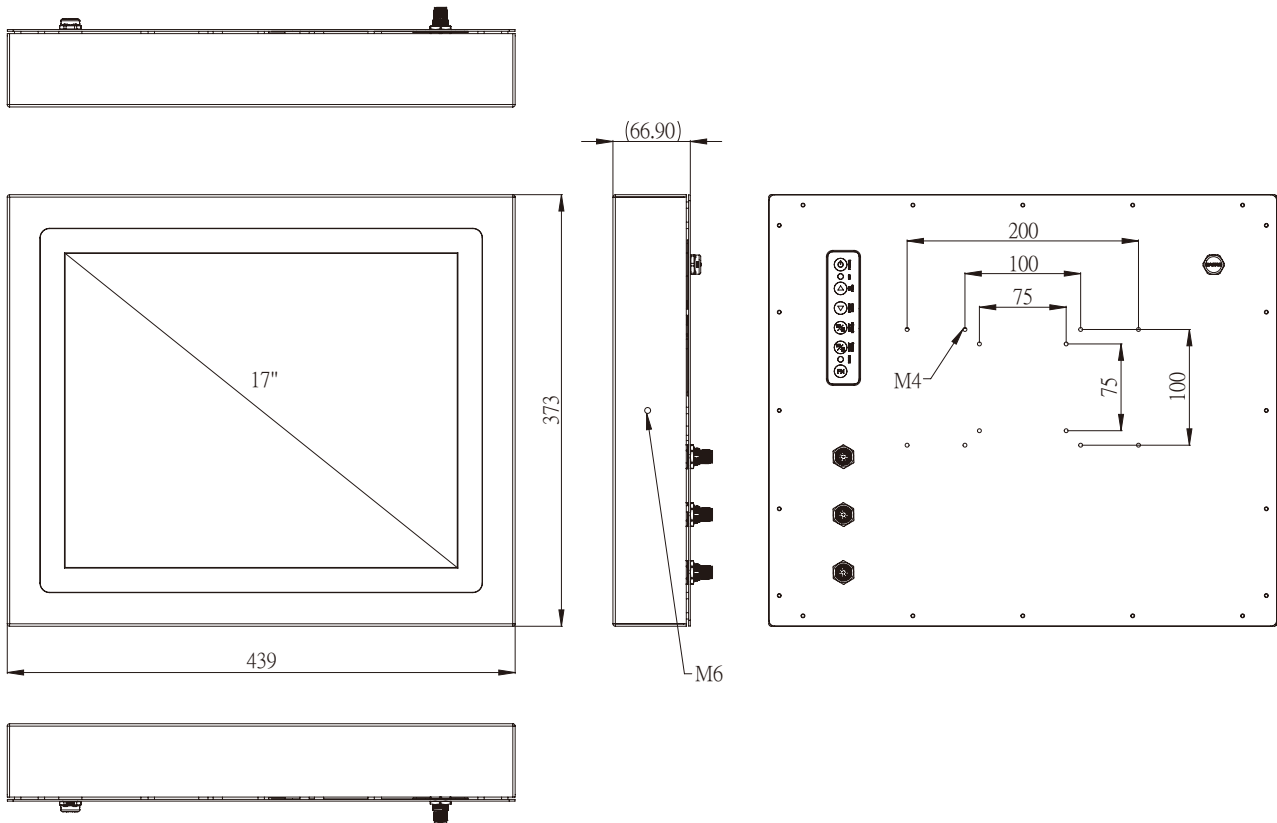
→ Optional Items

Part No.	Description
APW-60M12V-01	12V, 60W, 5A, 5-pin M12 Connector (US)
APW-60M12V-02	12V, 60W, 5A, 5-pin M12 Connector (EU)
AKT-USB2M12	M12 Connector to USB Cable, 2m
AKT-VGA2M12-M	M12 Connector to DB15 Male Cable, 2m
ACS-100-STD	VESA Table Stand
ACS-12017-STD	17" Monitor Yoke Mount Kits

→ Ordering Information

Part No.	Description
TPM-3617P-A1	17" XSGA, Full System IP66 Stainless Steel Industrial Touch Monitor, Flat Panel, Projected Capacitive Touch, USB, VGA, 12~24V DC input, M12 Connectors

→ Dimensions



→ Specifications

Model		TPM-3617P-A1
Display	Panel Size	17" LCD Panel
	Resolution	1280 x 1024 (SXGA)
	Viewing Angle	85 x 85 (H), 80 x 85 (V)
	Brightness	350 (cd/m ²)
	Color Support	16.7 M
	Contrast Ratio	1000:1
	Response Time	30 (msec)
Touchscreen	Type	Projected Capacitive Touch
	Surface Hardness	7 Mohs
	Durability	-
	Transparency	90% (±3%)
I/O Interface	Input Interface	1 VGA (M12 Connector), 1 HDMI (IP67 Waterproof Connector, Option)
	Touch Interface	1 USB, M12 Connector
OSD Control	OSD Function Key	1 RS-232, M12 Connector Remote OSD control (Option) 5 Keys: Menu, Up, Down, Auto Adjust, Monitor Power on/off
Power	Power Input	12-24 V DC power input, single power source
	Power Connector	M12 connector
	Power Consumption (Typical)	22 W
Environment	Operating Temperature	-30~70° C (-22~158° F)
	Storage Temperature	-30~70° C (-22~158° F)
	Humidity	5~95% @ 40° C, Non-condensing
	Vibration	5-500 Hz, 0.026 G ² /Hz, 2.16 Grms, X, Y, Z, 1 hour per axis
General	Ingress Protection	Full System IP66 Protection , Stainless Steel 316
	Dimensions (W x H x D)	439 x 373 x 66.90 mm (17.28" x 14.68" x 2.63")
	Weight	7.71 kg (17.0 lb)
	Operating System	Windows 7/8.1/10, WES7, WE8S, Linux Fedora, Ubuntu