

PCM-24S2WF

WiFi 802.11 a/b/g/n 2T2R w/ Bluetooth 4.0, Half-size mPCIe, Antennas

NEW



iDoor RoHS COMPLIANT 2009/SEC CE FCC

Features

- Meets Advantech Standard iDoor Technology
- PCI Express® Mini Card Specification Revision 1.2 compliant
- IEEE 802.11 a/b/g/n + Bluetooth 4.0 HS standard
- 2 SMA, 2Tx/ 2Rx ports
- Up to 300 Mbps data throughput
- 64/128/152-bit WEP, 802.1x, TKIP and AES
- Operating temperature: 0 ~ 70°C (32 ~ 158°F)
- Includes Half/Full-size mPCIe card adapter
- Supports 32/64-bit Windows XP/Vista/7/8/8.1
- Supports Embedded Automation PC UNO-2200/2300/2400 series
- Supports Control DIN-Rail PC UNO-1200/1300/1400 series
- Supports Control Cabinet PC UNO-3200/3300/3400 series
- Supports Control Panel Computers TPC-xx81/xx82 series
- Supports Thin Client Panel Computers TPC-xx51 series

Introduction

The PCM-24 series are categorized as communication modules from Advantech iDoor Technology. They are all compatible with the PCI Express® Mini Card Specification Revision 1.2, including Isolated / Non-Isolated RS-232/422/485 communication cards for automation control, Wi-Fi/3G/GPS/GSM/LTE wireless communication models for data exchange during the management and machine level of automation application, Zigbee module as an IoT terminal or controller and PoE function for smart camera in detect inspection application of production. This is a flexible design that enables customers to customize their features which meet iDoor Technology.

Specifications

General

- **Bus Type** PCI Express Mini Card Revision 1.2
- **Certification** CE, FCC class A
- **Dimensions** Module: 51 x 30 x 12.4 mm (2" x 1.18" x 0.49")
I/O Plate: 81 x 19.4 x 41 mm (3.19" x 0.76" x 1.61")
- **Power Consumption** 3.3 V, 445 mW (Wi-Fi continue, Avg.)
- **Antenna** WiFi 2.4 GHz and 5 GHz dipole antenna, 109 mm
- **Cable** WiFi coaxial cable, 200 mm

Communications

- **Data throughput** 300 Mbps (Max.)
- **Security** 64/128-bit WEP

Software

- **OS Support** Microsoft® Windows® XP/Vista/7/8/8.1

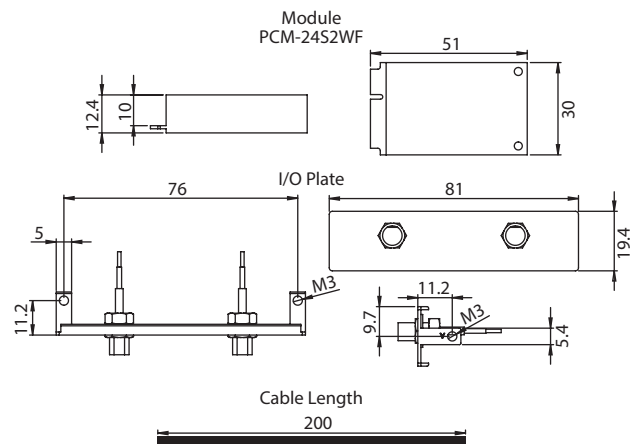
Environment

- **Humidity (Operating)** 5-95% RH, non-condensing
- **Operating Temperature** 0 ~ 70° C (32 ~ 158° F)

Regulation

The PCM-24S2WF-AE employs Atheros AR9462 as main chipset and corresponds to its regulations.

Dimensions



Ordering Information

- **PCM-24S2WF-AE** 802.11 a/b/g/n 2T2R w/ Bluetooth 4.0, Half-size mPCIe