

ARK-2151S

Outdoor Full HD NVR w/4 PoE Ports 4th Gen. Intel Core i5 4300U SoC Fanless Box PC



Features

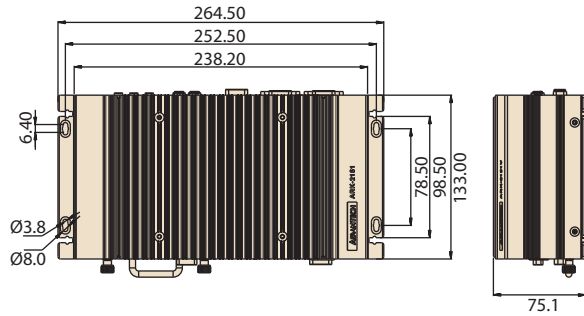
- Intel® Core i5-4300U Dual Core 1.9 GHz SoC
- 4 PoE Ports to Support Mainstream IP Cameras
- Diversity Communication Abilities, ex. WWAN, WLAN
- 3KV isolation for 6 x Di & 2 x Do
- 9 ~ 36 V_{DC}* Wide Power Input w/isolation
- 1 x Removable 2.5" drive bay
- Supports iManager, SUSIAccess and Embedded Software APIs

Specifications

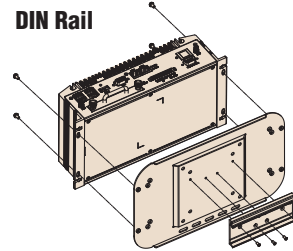
| | | ARK-2151S-S9A1E | |
|-------------------|----------------------------|--|--|
| Processor System | CPU | Intel i5-4300U | |
| | Frequency | 1.9 GHz | |
| | L3 Cache | 3 MB | |
| | BIOS | AMI EFI 128 Mbit | |
| Memory | Technology | DDR3L 1600 MHz | |
| | Max. Capacity | 8 GB | |
| | Socket | 1 x 204-pin SO-DIMM | |
| Graphics | Chipset | GT2-4400 Graphics | |
| | Graphic Engine | DirectX11.1, OpenGL 4.0, and OpenCL 1.2 Full AVC/VC1/MPEG2 HW Decode | |
| | VGA | Up to 1920 x 1200 with 60 Hz, 154 MHz pixel clock rate | |
| | HDMI | Lockable HDMI connector, up to 4K at 24 Hz | |
| Audio | Main System | Realtek ALC888S, High Definition Audio (HD), Line-in, Line out, Mic-in | |
| Ethernet | LAN #1 | 10/100/1000 Mbps Intel I218 GbE, support Wake on LAN | |
| | LAN #2 | 10/100/1000 Mbps Intel I210-IT, support Wake on LAN | |
| I/O Interface | Power over Ethernet, PoE | 4 x 10/100 Mbps - 4ports full-load, IEEE802.3af Class 2 (7Watt) - 2ports full-load, IEEE802.3af Class 3 (15.4Watt) | |
| | Serial Ports | 2 x RS-232/422/485 ports (support auto flow control, BIOS selectable) | |
| | USB Interface | 2 x USB 2.0 & 2 x USB3.0 | |
| | GPIO | | 6 x DI & 2 x DO w/ 3KV isolation Input Voltage: 0 to 30 V _{DC} , Output Current: Max. 500 mA per channel On-state Voltage: 24 V _{DC} nominal, open collector to 30 V _{DC} |
| | | Watchdog timer | 255-level timer interval, setup by software |
| Expansion | Mini PCIe #1 | Full-size Mini PCIe, support mSATA | |
| | Mini PCIe #2 | Half-size Mini PCIe, support WLAN module | |
| | Mini PCIe #3/4 | 2 x Full-size Mini PCIe w/SIM holders, support WWAN module. (USB interface) | |
| Storage | 2.5" Drive Bay | 1 x removable 2.5" drive bay (Max 9.5mm height) | |
| | mSATA | Leverage MiniPCIe #1 slot | |
| Software Support | Microsoft Windows | WES8, WES7, Windows 8, Windows 7 | |
| | Linux | Support by project | |
| Power Requirement | Power Type | ATX/AT | |
| | Power Input Voltage* | 9 ~ 36 V _{DC} w/ isolation | |
| | Isolation | 1.5 KV Isolated | |
| Mechanical | Construction | Aluminum housing, Silver | |
| | Mounting | Din-Rail mounting, Desk/wall-mounting, VESA mounting | |
| | Dimensions (W x H x D) | 264.5 x 75.1 x 133.0 mm (10.41" x 2.96" x 5.24") | |
| Environment | Operating Temperature | With extended temperature peripherals:-20 ~ 60° C with 0.7m/s air flow With standard temperature peripherals:0 ~ 45° C with 0.7m/s air flow | |
| | Storage Temperature | -40 ~ 85° C (-40~185° F) | |
| | Relative Humidity | 95% @ 40° C (non-condensing) | |
| | Vibration During Operation | With mSATA/SSD: 3 Grms, IEC 60068-2-64, random, 5 ~ 500 Hz, 1 hr/axis | |
| | Shock During Operation | With mSATA/SSD: 30 G, IEC 60068-2-27, half sine, 11 ms duration | |
| Regulation | EMC | CE/FCC Class A, CCC, BSMI | |
| | Safety | CB, UL, CCC, BSMI | |

* Power Input Constraint at low voltage: 9~10.9V

Dimensions

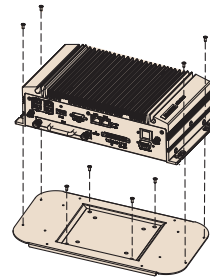


DIN Rail

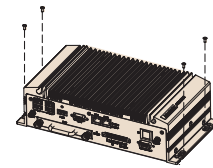


Unit: mm

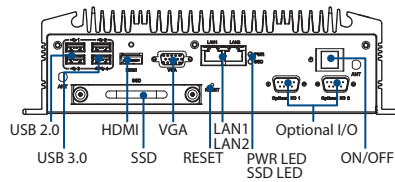
VESA mount



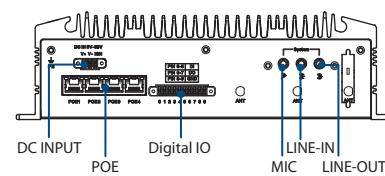
Wall mount



Front Panel External I/O Mechanical Layout/Drawing



Rear Panel External I/O Mechanical Layout/Drawing



Ordering Information

| Part Number | Intel CPU | RAM | 2.5" Drive | mSATA | Display | GbE | PoE | USB | DIO | RS-232/422/485 | MiniPCIe | SIM Holder | Power Input | Operating Temperature |
|-----------------|------------------------------|-----------|------------|-------|---------------------|-----|-----|--------------------------|------------|----------------|--------------------------------|------------|------------------------|-----------------------|
| ARK-2151S-S9A1E | Intel i5-4300U DC 1.9 GHz | Up to 8GB | 1 | 1 | 1 x HDMI 1 x VGA | 2 | 4 | 2 x USB2.0 2 x USB3.0 | 6Di 2Do | 2 | 3 x Full Size 1 x Half Size | 2 | 9 ~ 36 V _{DC} | -20 ~ 60° C |

Packing List

| Part Number | Description |
|-------------|--------------------------------------|
| - | 1 x ARK-2151 Unit |
| - | 1 x Driver/Utility CD/Manual |
| - | 1 x User Manual (Simplified Chinese) |
| 1652000049 | 3-pole phoenix power block 3.81mm |
| 1652003235 | 10-Pin DIO plug in block |

Optional Items

| Part Number | Description |
|-----------------|--------------------------------------|
| 96PSA-A120W19T2 | AC-to-DC Adapter |
| 1702002600 | Power Cable 3-pin 180cm, USA type |
| 1702002605-02 | Power Cable 3-pin 183cm, Europe type |
| 1700018704 | Power Cable 3-pin 183cm, UK type |
| AMK-V004E | VESA mounting kit |
| AMK-R004E | DIN-rail mounting kit |

Embedded OS

| Part Number | Description |
|-------------|-----------------|
| 2070013568 | WES7 E OS image |
| 2070013600 | WE8S OS image |

*Default BIOS is supported for 64-bit OS installation, BIOS 32-bit OS is supported by project