

10.1" Capacitive Touch Monitor



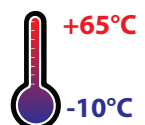
- Patented IP65 Front with silicon seal
- Strengthened cover glass
- Anti-glare treatment (chemical etching)
- 10-finger-multi capacitive touch
- LED backlight backed Panels in A+ quality
- Screwable connection for rugged environments

faytech's Capacitive Touch Monitor series has a modern sleek look with its flat edge to edge glass front panels, and a patented silicone rubberized seal making the front panels IP65 water- and dust proof.

This new series comes with capacitive 10-finger multitouch, glass front reaching MoS7, the glass surface is anti glare treated (chemical etched), a wide variety of connectors including USB-B for touch, HDMI, DVI-D, VGA and audio inputs, all lockable including the DC-IN. Each capacitive Touch Monitor has an A+ industrial LCD panel backed by faytech's 100% no dead pixel guarantee. Each monitor comes with its own desktop stand, and screw patterns on the back for VESA 75 or 100 mounts.

The high resolution support (e.g. 768p, 1920x1200 pixels) of these faytech touch devices make them the perfect choice for a wide variety of applications including POS systems, as control panels in industrial fields, in kiosk systems, for office/residence automation and many other areas.

The projected 10-point capacitive touch panel is accurate and responsive. The touch function is quickly established when connected via USB port. faytech includes touch drivers for popular OS (Win CE, XP, Vista, 7, 8, 10), Mac, Android and Linux. Normally, no touch driver needed for Win 7, 8 and 10. The virtual keyboard and Windows gesture makes Windows convenient to use. Besides, embedded systems, such as Raspberry



Product name	10.1" Capacitive Touch Monitor
Article code / EAN numer	FT101TMBCAP / 6920734010141

Anti-glare LCD Panel	
IP rated front panel	IP65
Screen diagonal (Inch/cm):	10.1/25.65
Display active screen size:	21.70×13.60
Aspect ratio:	16:10
Physical resolution:	1280×800
Maximum showable resolution (TPCs: external):	1920×1200
Colours displayed:	262K
Brightness (cd/m2):	350
Contrast:	800:1
Typical reaction time Tr/ Tf (ms):	10/15
Visual Angle horizontal/vertical (°):	170/170
Backlight / Backlight Lifetime (hours):	LED / 20,000

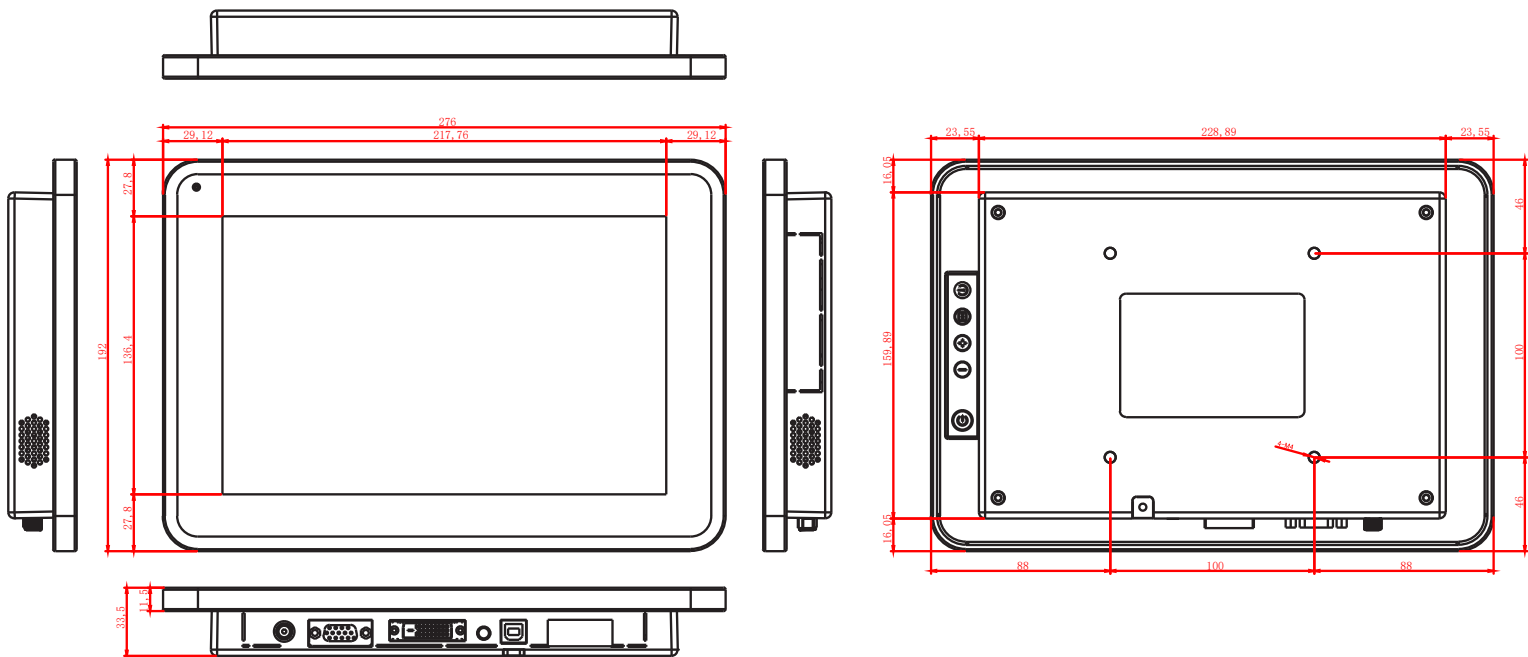
External Connectors	
Video	1x VGA
	1x DVI-D
	1x HDMI 1.3 (incl. HDCP)
Audio	1x PC-Audio
Touch Connector	1x USB
Connectors	1x 12V DC-IN

Touch Panel	
Touch Technology	Projected Capacitive 10-point Multi-touch
Touch Connector	USB
Touch Panel Drivers	Windows; Linux; Mac; Android
Touch Life (Contacts)	Unlimited
Surface Hardness	7H

Operation / Mechanical	
Operating Temperature (°C)	-10 ~ +60
Humidity Range (RH)	10%-90%
Net weight (kg)	0.75
Gross weight (kg)	1.20 (incl. cartorage)
Housing material	Rubber front case and plastic back case
Housing (cm) LxWxH	20.10 x 16.05 x 3.57
Mounting	VESA 100

Power	
Power Indicator	Green LED
Power Supply	100-240V ACDC active switching; 12V DC-Out
Working Power (V)	12
Power Consumption (W)	10
Stand-By Consumption (W)	<1

Included in the Delivery	
Power Supply (see Power section)	
Driver DVD	
Short Installation Manual	
Cables - VGA, USB Touch, Audio Cable	



Corporate Headquarters

faytech Tech. Co., Ltd.
 Building F., Hongmen Tech. Zone,
 Jihua Rd., Shenzhen, China 518129

support@faytech.com
contact@faytech.com
www.faytech.com

China: +86 755 89580612
 Germany: +49 551 82098660
 USA: +1 646 205 3214