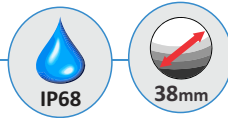


## ERGONOMIC IP68 TRACKBALL UNIT

Waterproof trackball & scroll wheel



**Cursor Controls**



### MECHANICAL SPECIFICATIONS

#### UNIT

Weight	~500 grams
Housing material	PC/ABS
Housing colour/finish	Black/fine-textured finish
Base plate material	Aluminium
Base plate finish	Bead blasted & clear anodised
Mounting position	All angles

#### TRACKBALL ASSEMBLY

Ball size/material	Ø38.1mm (1.5")/Epoxy resin
Tracking force	20 grams nominal – damper ring seal 20-40 grams – PTFE seal
Ball load	100N (10Kg) maximum downward pressure for 2 minutes @ 20°C
Resolvable ball speed	30 IPS (inches per second)
Tracking engine	Infra-red optical navigation technology
Removable ring	PC/ABS, black

#### SCROLL WHEEL

Wheel diameter	Ø25mm
Wheel material	PC/ABS
Wheel colour	Grey
Encoding technology	Hall effect
Magnet strength	N42
Detent-scrolling force	30 grams nominal
Switch actuation force	275 ± 125 grams force

#### LEFT/RIGHT SWITCH

Switch actuation force	250 ± 100 grams force
------------------------	-----------------------

The E38 Series desktop trackball is an extremely high specification device that incorporates the latest IP68 technology. The trackball combines the patented optical trackball technology with the new hall-effect scroll wheel to provide a fully waterproof desktop trackball solution.

To compliment these two technologies the trackball also includes left, middle, and right switch functionality as found in all conventional desktop trackballs/mice making the E38 trackball a complete human interface solution for control of a cursor.

In its standard configuration the E38 Series is supplied with a black, fine-textured housing, aluminium base plate, USB and PS/2 output, and a grey scroll wheel.

The solid state design allows the device to be subjected to extreme conditions and provides the user with the ability to wash down, decontaminate, and sterilise the module, making it the ideal trackball for a wide range of demanding applications and environments.

The ergonomic trackball is available as a desktop or as a panel mount unit. The freestanding desktop device optimises desk space when compared to a mouse. The panel mount unit may be used as part of an OEM keyboard or console.

### FEATURES

- Sealing to IP68 (fully waterproof)
- Infra-red optical navigation technology
- Integrated IP68 hall-effect scroll wheel
- Integrated left, middle and right switch functionality
- 38mm ball for precise cursor movement
- Removable ball for easy cleaning
- Outputs: USB & PS/2 (auto select)
- Wired USB cable providing high reliability and avoiding the need for batteries
- Smooth operation in rugged environments
- No special driver required



VER. 1.1

## ERGONOMIC IP68 TRACKBALL UNIT

Waterproof trackball & scroll wheel

### ELECTRICAL SPECIFICATIONS

Protocol	USB & PS/2 (auto-select)
Supply voltage	4.4V to 5.25V DC
Supply current	100mA Max.
Trackball resolution	1200 counts per ball revolution @ 1 IPS (inches per second) +/- 10% 2400 counts per ball revolution @ 5 IPS (inches per second) +/- 10%
Scroll wheel resolution	24 counts per wheel revolution
Output connector	USB "A" type connector with 2 metre cable
Mating output connector	Standard USB "A" type socket

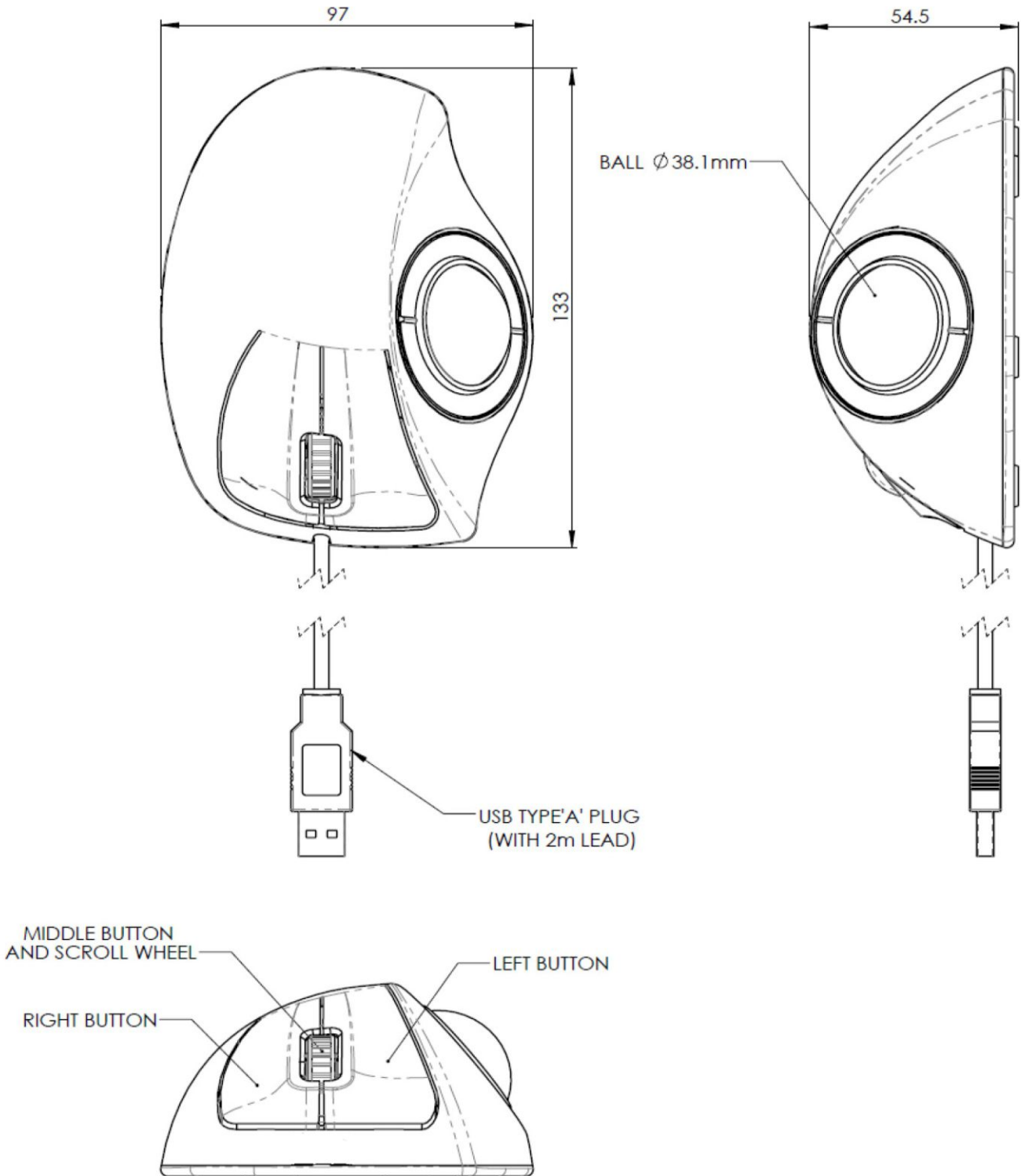
### ENVIRONMENTAL SPECIFICATIONS

Operating temperature	0°C to +55°C (IEC 60068-2-1, IEC60068-2-2)
Storage temperature	-40°C to + 85 °C (IEC 60068-2-1, IEC60068-2-2)
Operating humidity	93% RH @ 40°C, non-condensing (IEC 60068-2-78)
Storage humidity	10%-95% non-condensing (IEC 60068-2-78)
Vibration	2g, 10-500Hz, 1 octave/min, 10 sweep cycles (IEC 60068-2-6)
Operating Shock	15g/11ms, ½ sine, 3 shocks in +ve and -ve direction, all 3 axes (IEC 60068-2-27)
Mechanical lifetime	1 million ball revolutions
MTBF	in excess of 80,000 hours (MIL-STD-217F)
ESD	15kV air-discharge and 8kV contact discharge (IEC 61000-4-2)
EMC	Radiated immunity - limits according to level 3 of IEC 61000-4-3 Radiated emissions to EN55022 class B
Sealing capability	IP68

The E38 trackball provides conventional X and Y axis cursor movement with an additional Z-axis scroll wheel. The Z-axis scroll wheel provides scroll/zoom and middle button capabilities for more effective navigation in complex user interfaces and operating systems (please note the function of the scroll wheel is software dependent). The trackball also features a removable retention ring enabling the user to remove the ball for servicing and maintenance purposes.

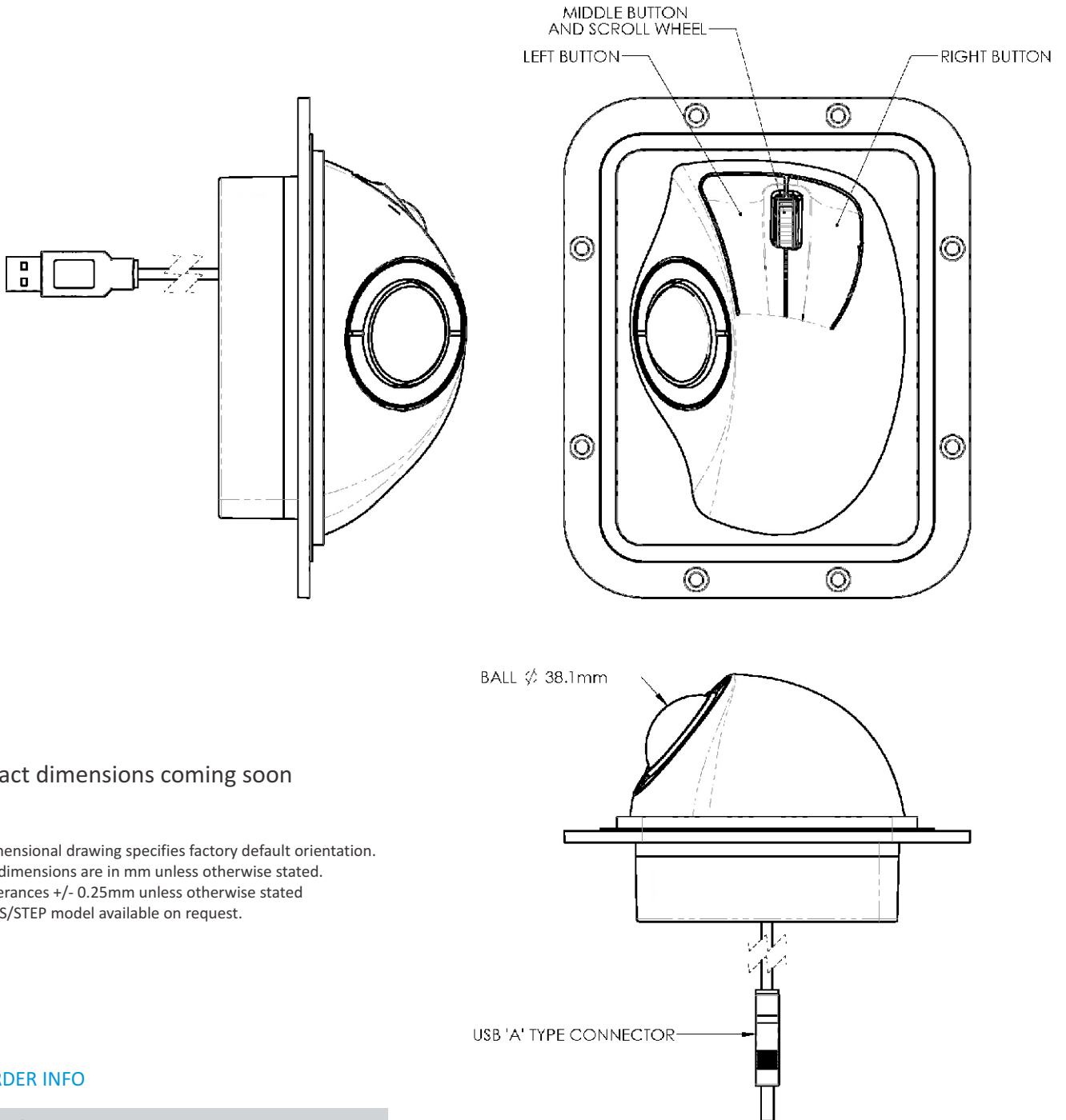


DIMENSIONAL DRAWING - DESKTOP UNIT



Dimensional drawing specifies factory default orientation.  
All dimensions are in mm unless otherwise stated.  
Tolerances +/- 0.25mm unless otherwise stated  
IGES/STEP model available on request.

DIMENSIONAL DRAWING - PANEL MOUNT UNIT



exact dimensions coming soon

Dimensional drawing specifies factory default orientation.  
All dimensions are in mm unless otherwise stated.  
Tolerances +/- 0.25mm unless otherwise stated  
IGES/STEP model available on request.

ORDER INFO

desktop version	panel mount version
E38-76A31D	E38-76A21D

MANUFACTURER

Cursor Controls Ltd, Brunel Drive,  
Newark, U.K  
Tel: ++44 (0) 1636 615600  
Fax: ++44 (0) 1636 615601  
Website : [www.cursorcontrols.com](http://www.cursorcontrols.com)  
E-mail: [sales@cursorcontrols.com](mailto:sales@cursorcontrols.com)



SALES & SERVICE CENTER

NSI bvba, Haakstraat 1A,  
B-3740 Bilzen, Belgium  
Tel. : +32 89 51 90 00  
Fax : +32 89 91 90 09  
Website : [www.nsi-be.com](http://www.nsi-be.com)  
E-mail : [info@nsi-be.com](mailto:info@nsi-be.com)

