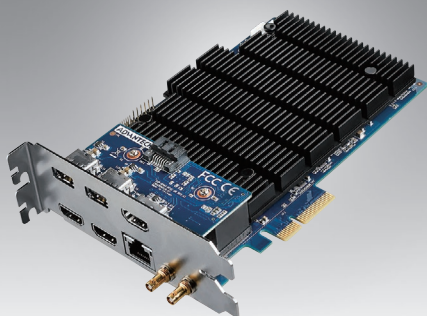


DSP-8664

2ch HDMI/SDI Video Encoder Card with SDK

NEW



Features

- Powered by TI TMS320DM8168 SoC
- HW-based H.264 / MJPEG / RAW encoding and decoding
- 2-channel HDMI or SDI video + audio inputs up to Full HD (1080p) at 60fps
- 1-channel HDMI video + audio output up to Full HD (1080p) at 60fps
- PCIe Gen2 x4 data bus
- Versatile peripherals: GbE LAN port, 2x USB, SATA, and UART

FCC CE

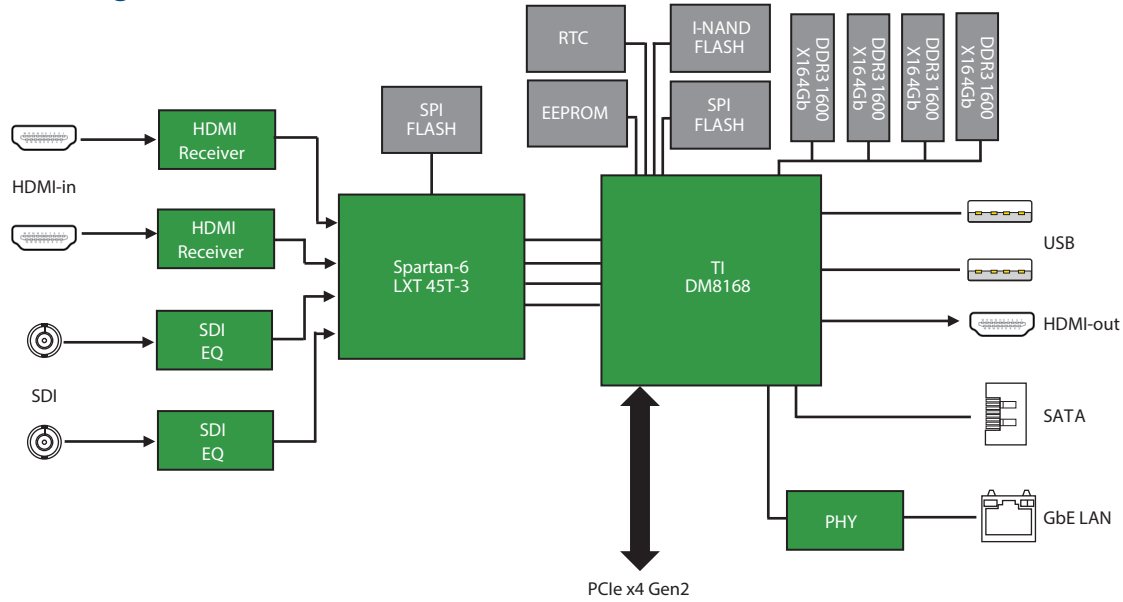
Introduction

Designed with TI TMS320DM8168 SoC, DSP-8664 is a full-functional video processing platform with 2-ch HDMI or SDI video + audio inputs and 1-ch HDMI output based on a standard half-length PCIe board form factor. This board supports H.264 / MJPEG / RAW encoding and decoding up to full HD (1080p) at 60fps per channel. As a versatile video processing platform, DSP-8664 supports PCIe video encoder and decoder card working on x86 PC system (drivers are available for both Windows and Linux OS); Utilizing the GbE LAN port as the video stream in/output interface. With an easy-to-use software development kit (SDK), DSP-8664 is an ideal solution for system integrators to implement various video related applications, to fulfill customers' requirements.

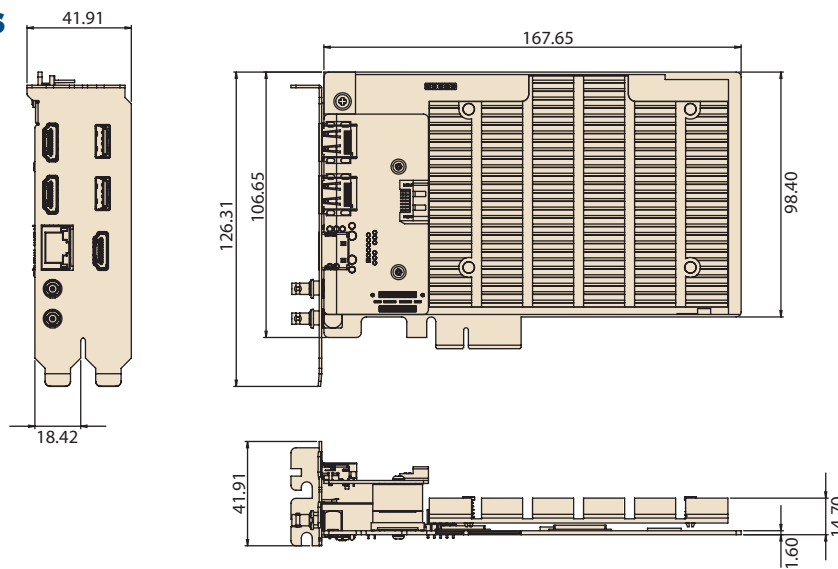
Specifications

Video Input	Channels	2
	Interface	HDMI or SDI (switchable for only one interface)
	Resolution	Up to 1920 x1080p (Full HD 1080p)
	Compression	H.264 / MJPEG / RAW
	Max. Frame Rate	120fps (up to 60fps per channel)
	Bit Rate Control	CBR / VBR / ABR
Audio Input	Channels	2
	Interface	HDMI or SDI (shared with video inputs)
	Format	RAW
	Sampling Rate	Up to 16-bit, 44KHz, stereo
Peripherals	LAN Port	10/100/1000Mbps LAN port; RJ45 connector
	Data Bus	PCIe Gen2 x4
	HDMI-out	1; Up to 1920 x 1080p at 60fps
	USB 2.0 OTG	2; Type A
	SATA	1; 3.0Gbps
	UART	1; For debug and programming
Physical Characteristics	Power Consumption	< 20W
	Operating Temperature	0 ~ 60° C (32 ~ 140° F)
	Dimensions	167.65 x 111.15mm Double width
Software	OS supported	PC driver for Linux PC driver for Windows XP / XPe / Vista / 7
	SDK	User's manual Programming guide Software quick start guide Host package (Sample code+driver)

Block Diagram



Dimensions



Unit: mm

Ordering Information

Part Number	Description
DSP-8664-PCXE	2ch HDMI/SDI Video Encoder Card with SDK
DSP-8664-PCSE	2ch HDMI/SDI Video Encoder Card with SDK (w/o daughter board) - 1slot only
DSPC-8661ACY01-AE	JTAG debug board with cable
HVC-8701-BHB0E	BNC to HD-BNC cable x 4pcs / each box