

# UNO-2483G

## Intel® Core™ i7/i3/Celeron Regular-Size Automation Computer w/ 4 x GbE, 3 x mPCIe, HDMI/VGA

NEW



## Introduction

Advantech's UNO-2000 series of Embedded Automation Computers are Fanless with highly ruggedised with an embedded operating system (Windows CE, Windows Embedded 7/8, Linux-Embedded). It also includes iDoor technology which supports automation feature extensions such as industry fieldbus communication, Wi-Fi/3G, Digital I/O, including Palm, Small, and Regular-size Form-Factors with indicated market segments in terms of entry, value and performance product positioning. Both entry and value Embedded Automation Computers feature specific functions and they are suitable for data gateway, concentrator and data server applications. The performance model can shorten your development time and offer multiple networking interfaces to fulfill a diverse range of requirements.

## Specifications

### General

• <b>Certification</b>	CE, FCC, UL, CCC, BSMI
• <b>Dimensions (W x D x H)</b>	252 x 149 x 62 mm (9.9" x 5.9" x 2.4")
• <b>Form Factor</b>	Regular Size
• <b>Enclosure</b>	Aluminum Housing
• <b>Mounting</b>	Stand, Wall, VESA (Optional)
• <b>Weight (Net)</b>	1.6kg (3.5lbs)
• <b>Power Requirement</b>	24Vdc ± 20%
• <b>Power Consumption</b>	28W (Typical), 72W (Max)
• <b>OS Support</b>	Microsoft® Windows 7/8

### System Hardware

• <b>BIOS</b>	AMI UEFI 128Mbit Flash BIOS
• <b>Watchdog Timer</b>	Programmable 256 levels timer interval, from 1 to 255 sec
• <b>Processor</b>	4th Gen Intel® Core™ i7-4650U ULT 1.7 GHz Dual Core, 4MB L2 4th Gen Intel® Core™ i3-4010U ULT 1.7 GHz Dual Core, 3MB L2 4th Gen Intel® Celeron® 2980U ULT 1.6 GHz Dual Core, 2MB L2
• <b>System Chip</b>	Integrated Intel 8 Series Chipset
• <b>Memory</b>	On-board 4GB DDR3L 1600 MHz for UNO-2483G-4C3AE On-board 8GB DDR3L 1600 MHz for UNO-2483G-434AE and UNO-2483G-474AE
• <b>Graphics Engine</b>	Intel® HD Graphics 5000/4400
• <b>Ethernet</b>	Intel® i210-IT GbE, 802.1Qav, IEEE1588/802.1AS, 802.3az Intel® i218-LM GbE, Intel® AMT, IEEE1588/802.1AS, 802.3az
• <b>LED Indicators</b>	LEDs for Power, battery, LAN (Active, Status), Tx/Rx and HDD
• <b>Storage</b>	One mSATA Two drive bays for SATA 2.5" HDD (Compatible with 9.5mm height HDD) CFAST drive by iDoor Technology (Optional)
• <b>Expansion</b>	2 x Full-size mPCIe slot, mPCIe 2.0

### I/O Interfaces

• <b>Serial Ports</b>	2 x RS-232, DB9, 50-115.2kbps 2 x RS-422/485, DB9, auto flow control, 50-115.2kbps
• <b>LAN Ports</b>	4 x RJ45, 10/100/1000 Mbps IEEE 802.3u 1000Base-T Fast Ethernet
• <b>USB Ports</b>	4 x USB Ports (2 x USB 2.0, 2 x USB 3.0 compliant)
• <b>Displays</b>	1 x VGA, supports 1920 x 1200 @ 60Hz 24bpp 1 x HDMI 1.4a, supports 3200 x 2000 @ 60Hz 24bpp
• <b>Audio</b>	Line-In, Line-Out
• <b>Power Connector</b>	1 x 3 Pins, Terminal Block

## Features

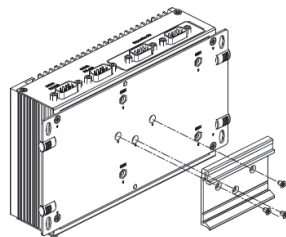
- 4th Generation Intel® Core™ i7/i3/Celeron Processors up to 1.9GHz with 4GB/8GB DDR3L Memory
- 4 x GbE, 4 x USB 2.0/3.0, 2 x RS-232, 2 x RS-422/485, 1 x VGA, 1 x HDMI, Audio
- Comprehensive Palm, Small, Regular-size form-factor
- Compact with Fanless Design
- Rubber Stopper Design with Captive Screw
- Dual HDD/SSD support with RAID 0/1 in regular-size
- Diverse system I/O and Isolated Digital I/O by iDoor Technology
- 3G/GPS/GPRS/Wi-Fi Communication by iDoor Technology
- Supports MRAM by iDoor Technology
- Chassis Grounding Protection
- LAN Redundancy (Teaming)
- Fault-Protected RS-485 Transceivers With Extended Common-Mode Range

### Environment

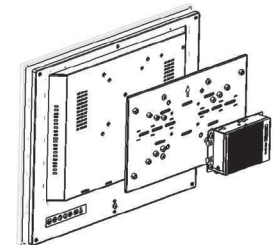
- **Operating Temperature** - 20 ~ 60°C (-4 ~ 140°F) @ 5 ~ 85% RH with 0.7m/s airflow  
- 40 ~ 85°C (-40 ~ 185°F)
- **Storage Temperature** - 40 ~ 85°C (-40 ~ 185°F)
- **Relative Humidity** 10 ~ 95% RH @ 40°C, non-condensing
- **Shock Protection** Operating, IEC 60068-2-27, 50G, half sine, 11ms
- **Vibration Protection** Operating, IEC 60068-2-64, 2Grms, random, 5 ~ 500Hz, 1hr/axis (mSATA)  
Operating, IEC 60068-2-64, 0.7Grms, random, 5 ~ 500Hz, 1hr/axis (HDD)
- **Ingress Protection** IP40

## Installation Scenario

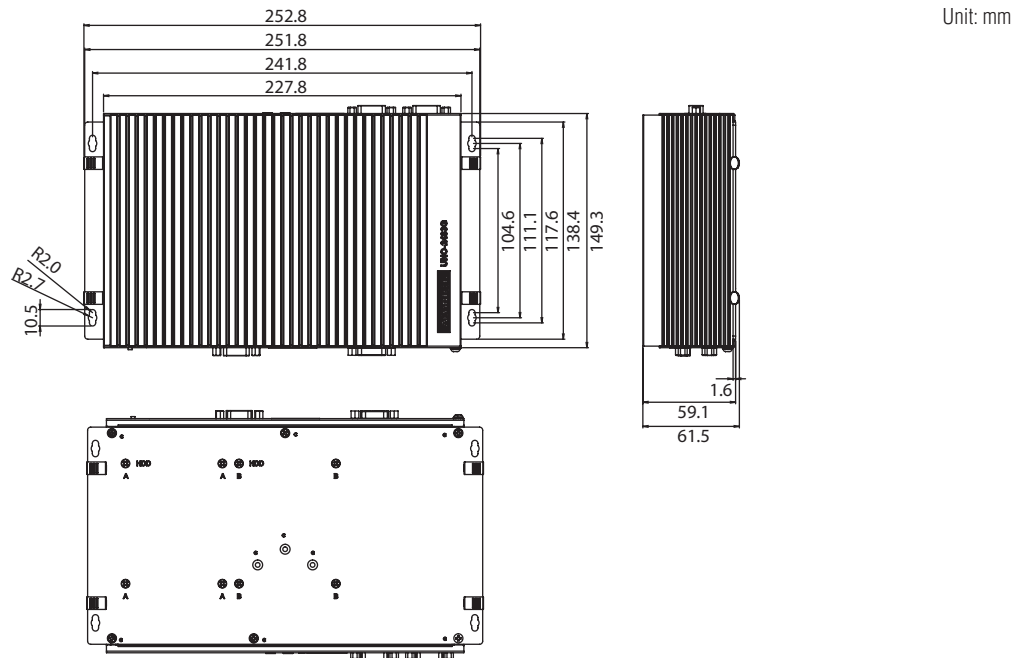
### DIN-Rail Mount Illustration



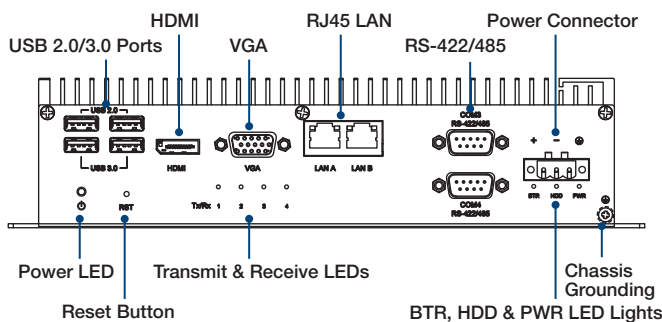
### VESA Mount Illustration



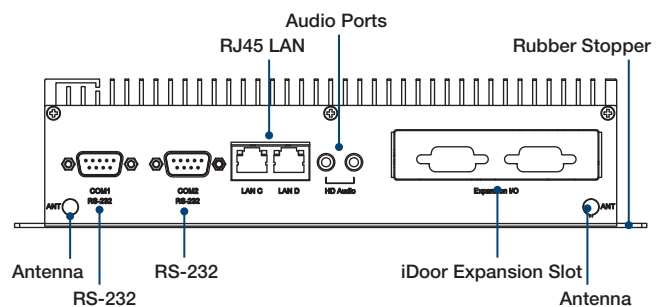
## Dimensions



## Front I/O View



## Rear I/O View



## Ordering Information

- UNO-2483G-4C3AE Intel® Celeron 2980U ULT 1.6GHz, 4GB, 4 x LANs, 2 x mPCIe
- UNO-2483G-434AE Intel® Core™ i3-4010U ULT 1.7GHz, 8GB, 4 x LANs, 2 x mPCIe
- UNO-2483G-474AE Intel® Core™ i7-4650U ULT 1.7GHz, 8GB, 4 x LANs, 2 x mPCIe

## iDoor Modules

- PCM-24D4R2-AE 4-Port Non-Isolated RS-232 mPCIe, DB37
- PCM-24D4R4-AE 4-Port Non-Isolated RS-422/485 mPCIe, DB37
- PCM-26D2CA-AE 2-Port Isolated CANBus mPCIe, CANOpen, DB9
- PCM-27D24DI-AE 24-Channel Isolated Digital I/O w/ counter mPCIe, DB37
- PCM-24R1TP-AE 1-Port Gigabit Ethernet, Intel® 82574L, mPCIe, RJ45
- PCM-2300MR-AE MR4A16B, MRAM, 2 MByte, mPCIe
- PCM-24R2GL-AE 2-Port Gigabit Ethernet, mPCIe, RJ45
- PCM-24R2PE-AE 2-Port Gigabit Ethernet, IEEE 802.3af (PoE) Compliant, mPCIe, RJ45 (optional)
- PCM-24S2WF-AE WiFi 802.11 a/b/g/n 2T2R w/ Bluetooth4.0, Half-size mPCIe, 2-port SMA
- PCM-24S23G-AE Wide-Temp 3.75G HSPA and GPS, 2-in-1, Full-size mPCIe w/ Redundant SIM Card holder, 2-port SMA

## Optional Accessories

- 96PSA-A150W24T2 150WC to DC UNO series power adapter (Industrial Grade)
- PWR-249-AE 65W AC to DC power adapter (Commercial Grade)
- PWR-244-AE 96W AC to DC power adapter (Commercial Grade)
- 1702002600 Power Cable US Plug 1.8 M (Industrial Grade)
- 1702002605 Power Cable EU Plug 1.8 M (Industrial Grade)
- 1702031801 Power Cable UK Plug 1.8 M (Industrial Grade)
- 1700000596 Power Cable China/Australia Plug 1.8 M (Industrial Grade)
- 1700001524 Power Cable 3-pin US type 1.8 M (Commercial Grade)
- 170203183C Power Cable 3-pin EU type 1.8 M (Commercial Grade)
- 170203180A Power Cable 3-pin UK type 1.8 M (Commercial Grade)
- UNO-2000G-DMKAE UNO-2000 DIN Rail Kit
- UNO-2000G-VMKAE UNO-2000 VESA Mount Kit

## Embedded O/S

- 2070012443 Image WES7P MUI. V4.12 B001 for UNO-2483G
- 2070012949 Image WES7P X64 MUI. V4.12 B002 for UNO-2483G

## S/W Bundle Offering

- WA-HU2483G-315H2AE UNO-2483G-434AE, HMI Runtime 1500 tags, 32G mSATA, WES7P
- WA-SU2483G-315H5AE UNO-2483G-434AE, SCADA Runtime 1500 tags, 128G SSD, WES7P