

34 MM TRACKBALL MODULE



The KB34-1542 is a high specification keyboard or panel mounted trackball with direct PS/2 output.

This trackball features ABS construction and high quality shafts and bearings to ensure precision movement. Compact dimensions, four switches and front of panel mounting make the KB34 ideal for keyboard, console or process control applications.

GENERAL TECHNICAL SPECIFICATIONS

Sealing	: none IP40
Casing material	: ABS, light-grey colour
Top plate material	: ABS, light-grey colour
Ball material	: Polyester
Ball colour	: Mid-grey colour
Ball diameter	: 34 mm
Weight	: 60 grams
Shaft diameter	: 3 mm
Tracking force	: 7 grams nominal
Mounting angle	: Max. 30° to horizontal plane
Lifetime - Ball revolutions	: > 2 million
Supply voltage (quadrature)	: 5 Vdc +/- 5%
Supply current (quadrature)	: 6 mA typ
Storage temperature	: -20°C to +66°C
Operating temperature	: -10°C to +60°C
Relative humidity	: 95% non-condensing
Vibration	: 5G, 5-2KHz any plane

CONNECTIVITY

The KB34-1542 is PS/2 compatible and is supplied with a 1,6 meter long shielded cable with PS/2 plug. No special device driver is required.

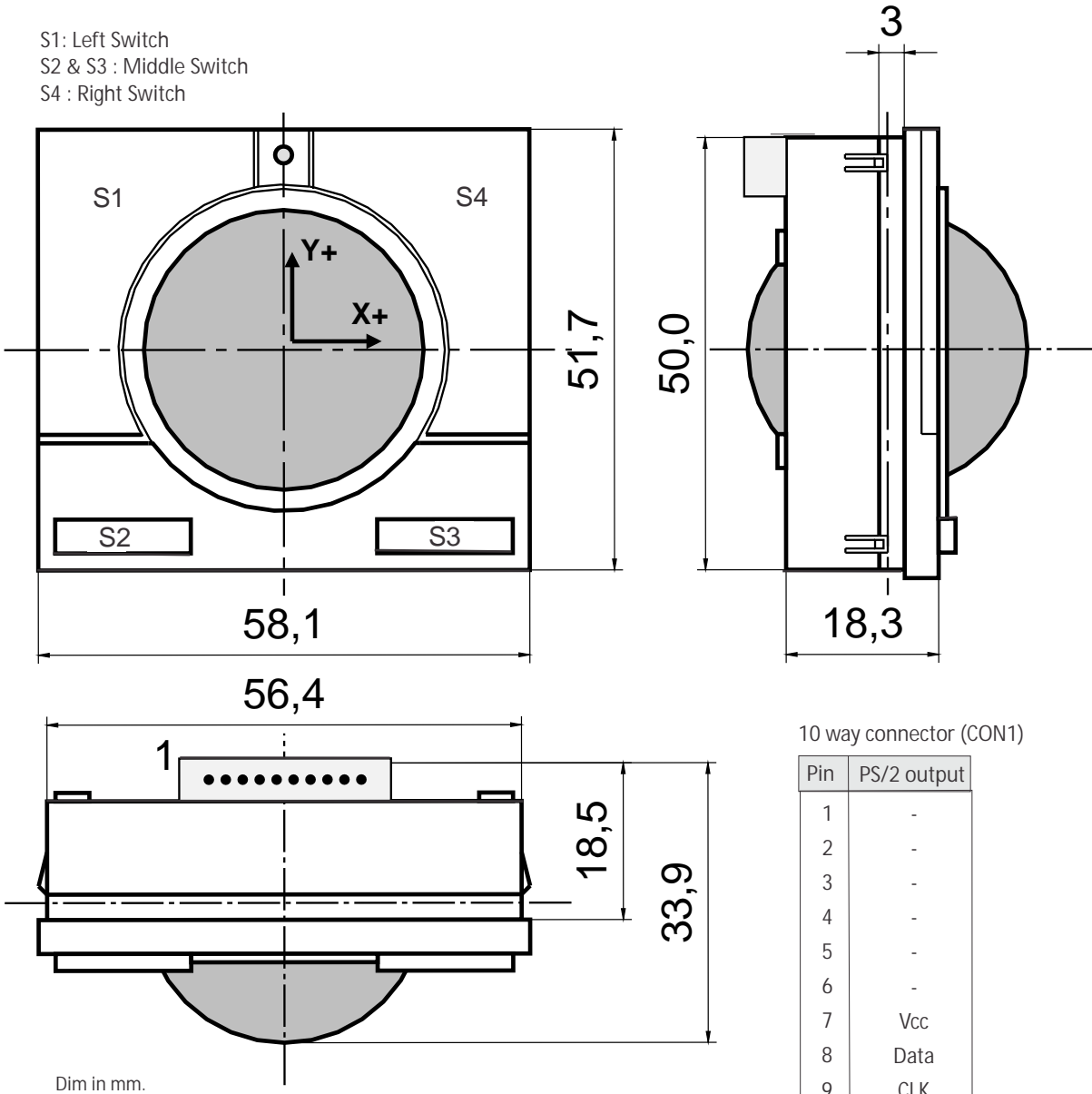
* Due to the increasing differences of the PS/2 mouse port specifications of the various PC manufacturers, we do recommend that this unit should be tested on the final PC configuration and operating system prior to installing it in series.

ORDER INFO

OUTPUT	ORDER NUMBER
PS/2	KB34-1542
USB	KB34-1642

34 MM TRACKBALL MODULE

DIMENSIONAL DRAWING



10 way connector (CON1)

Pin	PS/2 output
1	-
2	-
3	-
4	-
5	-
6	-
7	Vcc
8	Data
9	CLK
10	GND

Connector type : JST PH Series 2,0mm pitch.
Mating part : JST KR Connectors (10KR-8M)