

## 25 MM TRACKBALL MODULE

IP65 sealed



The GK25 features a phenolic ball with metal core, stainless steel shafts and bearings for a smooth and precise cursor control. The PTFE seal ring ensures a IP65 static sealing grade. The unit has been designed to be back of panel mounted as part of OEM keyboards and consoles with restricted mounting space.

### GENERAL TECHNICAL SPECIFICATIONS

Sealing	: IP65 (static)
Casing material	: Polycarbonate
Top plate material	: Polycarbonate
Ball material	: Phenolic resin with metal core
Ball colour	: Black
Ball diameter	: 25 mm
Weight	: 80 grams
Seal material	: PTFE composite
Shaft diameter	: 4,5 mm
Tracking force	: 50 grams nominal
Mounting angle	: Max. 90° to horizontal plane
Lifetime - Ball revolutions	: > 2 million
Supply voltage (quadrature)	: 5 Vdc +/- 5%
Supply current (quadrature)	: 6 mA typ
Storage temperature	: -25°C to +80°C
Operating temperature	: -10°C to +60°C
Relative humidity	: 95% non-condensing
Vibration	: 5G, 5-2KHz any plane

### CONNECTIVITY

The GK25-5502 is PS/2 compatible. The GK25-5602 can be plugged into any USB port or hub. Both types are supplied with 1,6m long shielded straight cables and external switch cables.

The GK25-5002 has phase quadrature output: X1(Y1) leads X2(Y2) when motion of ball in positive X(Y) direction. It is supplied with a 6-wire connection cable of 35 cm.

\* Due to the increasing differences of the mouse port specifications of the various PC manufacturers, we do recommend that this unit should be tested on the final PC configuration and operating system prior to installing it in series.

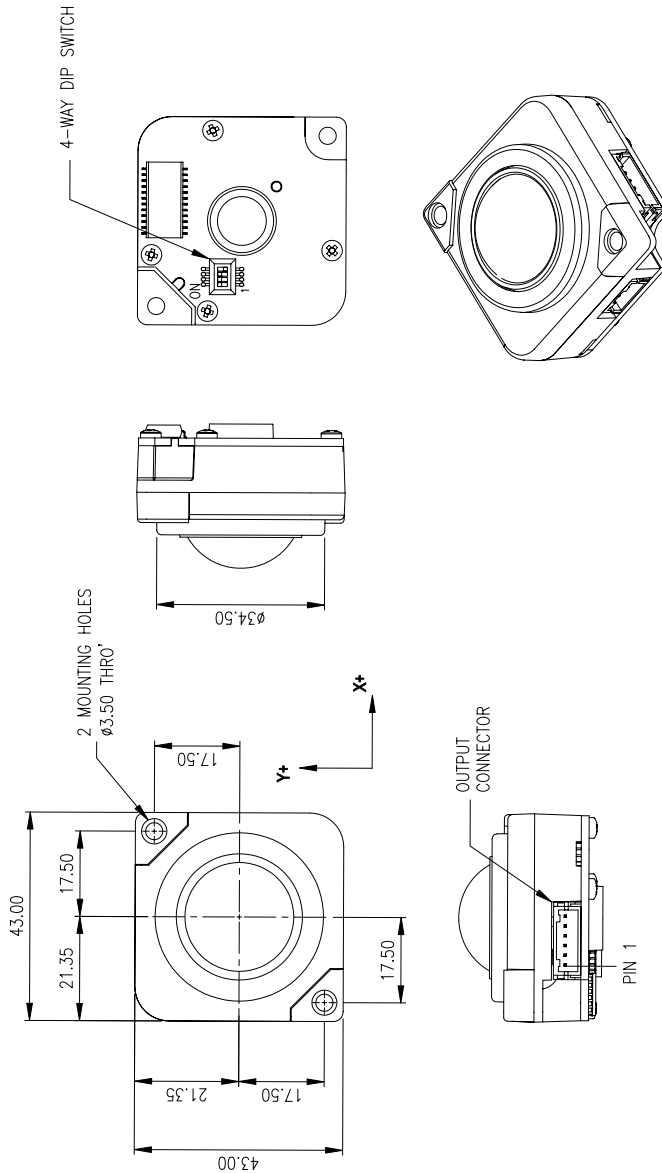
### ORDER INFO

OUTPUT	ORDER NUMBER	Consisting of :
Quadrature	GK25-5002	P25-5002A0 Trackball module only IC060635 : 35 cm interconnection cable to CON 1
PS/2	GK25-5502	P25-5602A0 : Trackball module only OC6006160 : 1,6 m shielded PS/2 cable with 6 pin mini DIN plug IC040035 : 35 cm switch cable (4 wires) to CON2
USB	GK25-5602	P25-5602A0 : Trackball module only OC5006160 : 1,6 m shielded cable with USB type A plug IC040035 : 35 cm switch cable (4 wires) to CON2

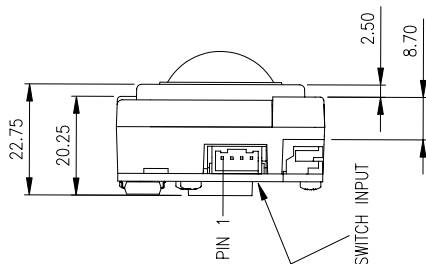
## 25 MM TRACKBALL MODULE

IP65 sealed

### DIMENSIONAL DRAWING



Dim in mm.



The company reserves the right to alter without prior knowledge the specification or design of any standard product or service.

The company reserves the right to alter without prior knowledge the specification or design of any standard product or service.

Dip switches : leave off, for factory use

6 way connector (CON1)

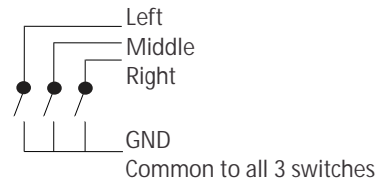
Pin	Quadrature	PS/2 & USB
1	X1	N.C
2	X2	N.C
3	+5VDC	+5VDC
4	Y1	D-/Data
5	Y2	D+/Clock
6	GND	GND

Connector type : JST PH Series 2,0mm pitch.  
Mating connector : JST KR Series 2,0mm pitch.

4 way connector (CON2)

Pin	Switch
1	Left Switch
2	Middle Switch
3	Right Switch
4	GND

Connector type : JST PH Series 2,0mm pitch.  
Mating connector : JST KR Series 2,0mm pitch.



\* important note : the mounting depth will increase from typical 23,2 mm to 28,0 mm when the antivandal/ESD kit is mounted.