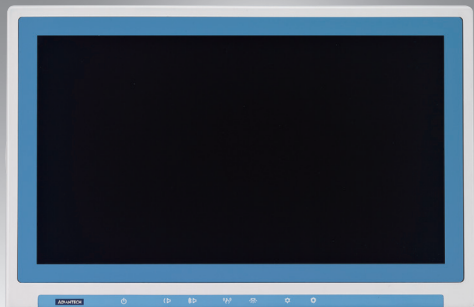


# POC-WP213

## 21.5" Widescreen Point-of-Care Terminal with Fanless and Slim Design



### Features

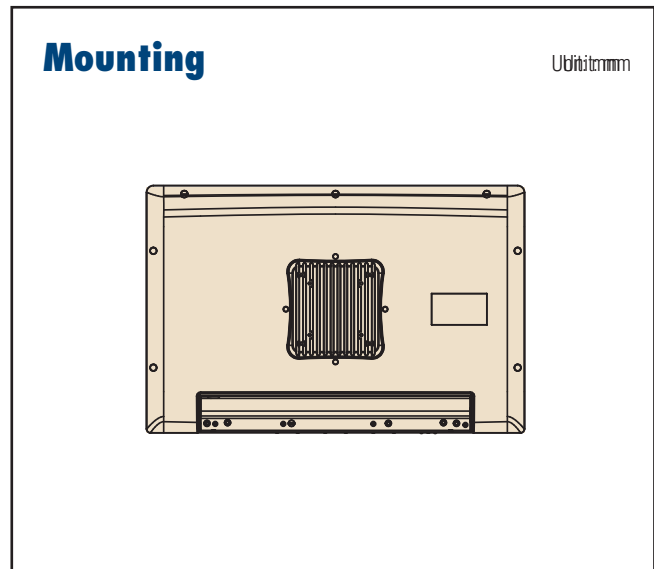
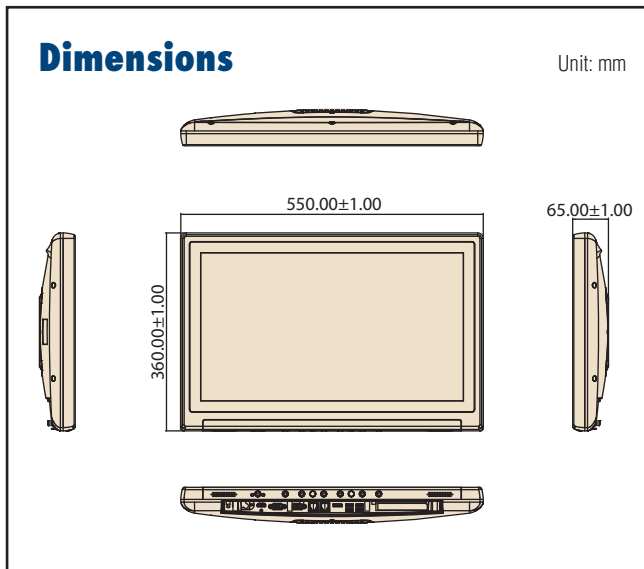
- Runs on Intel® 6th generation, Skylake processor with a fanless, high performance profile
- Ultra-thin display, only 65 mm slim at its widest point
- Capable of displaying crystal clear images on its 21.5" wide-screen display
- Isolated design provides unique electric leakage protection for COM ports and LAN ports
- IP54 water resistant enclosure
- IEC 60601-1 Ed 3.1 compliance ensures highest levels of safety and reliability
- Optional Bluetooth, RFID, inner WLAN, IEEE 1394, and DICOM module
- Support Intel® firmware trusted platform module (TPM) with Intel® Platform Trust Technology (Intel® PTT)



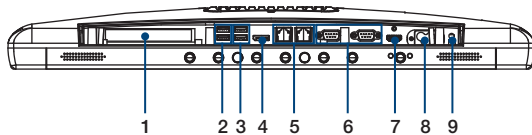
### Specifications

Computing System	CPU	Intel® Core™ i7-6600U Processor (4M Cache, up to 3.40 GHz) Intel® Core™ i5-6300U Processor (3M Cache, up to 3.00 GHz) Intel® Core™ i3-6100U Processor (3M Cache, 2.30 GHz) Intel® Celeron® Processor 3955U (2M Cache, 2.00 GHz)	
	Memory	DDR4 1866/2133 SODIMM (up to 32GB)	
	Graphics Controller	Intel HD Graphics 520/510	
	G-sensor	2g/+4g/+8g/±16g, 6D/4D orientation detection	
	Operating System (Optional)	Windows 7/Windows 8.1 Industry Pro/Windows 10 IoT	
Display	Display Size	21.5" wide TFT color LCD (16:9)	
	Type	IPS	
	Max. Resolution	1920 x 1080 (H x V)	
	Max. Colors	16.7 M colors (6-bits+A-FRC)	
	Pixel Pitch (um)	247.5 x 247.5	
	Viewing Angle	178/178°	
	Luminance	250 cd/m <sup>2</sup>	
	Backlight	LED	
	LCD MTBF	30,000 Hours	
Expansion Slot	Mini PCIe (mSATA)	2 (1 x full-size, 1 half-size)	
	PCIe	1 x PCIe (x4) (Max. card length: 1) without HDD/SSD: 167.65mm; 2) with HDD/SSD: 140 mm, or 167.65mm but with card width limited to 88 mm)	
I/O Ports	Serial Ports	2 x RS-232/422/485 (1.5KV isolated) serial port	
	USB 3.0 ports	2 x USB 3.0 ports (rear)	
	USB 2.0 Ports	4 x USB 2.0 ports (rear & PCIe (x4) slot)	
	Audio	2 x speakers (2 W)	
	HDMI	1 x HDMI out, support resolution up to 4096 x 2304 @ 24Hz	
	Displayport	1 x Displayport out, support resolution up to 4096 x 2304 @ 60Hz	
	LAN	2 x Gigabit Ethernet (1.5KV isolated) interfaces (RJ-45)	
Storage	SSD (Default)	128GB SSD	
	HDD/mSATA (Optional)	2.5" SATA HDD instead of SSD*, Mini PCIe mSATA	
Power Supply	Input Voltage	100 - 240 V <sub>ac</sub> , 47Hz to 63Hz, Maximum output power 150W	
	Output Voltage	12.0 V ± 2%, 0A to 8.30A (at convection)	
Optional Functions	WLAN & Bluetooth	Qualcomm Atheros Dual-band (2.4/5GHz) 802.11 a/b/g/n/ac 2Tx/2Rx WiFi & Bluetooth v4.1	
	RFID*	13.56MHz, ISO-15693, ISO-14443A, ISO-14443B	
	DICOM*	DICOM pre-set	
Optional Touchscreen	Type	Analog Resistive (Clear or AG)	Projected Capacitive 10-points (AR or AG)
	Resolution	Continuous	Continuous
	Light Transmission	80±3%	90±3%
	Controller	USB interface	USB interface
	Durability	35 million touches	Over 50 million touches
IP Rating	Front Panel	IP65	
	Entire System	IP54	
Certifications	IEC 60601-1 Edition 3.1 compliance, CE & FCC Class B Edition 4.0 certified		
Environment	Temperature	0 - 40° C (32 - 104° F) (Operating) -20 - 60° C (-4 - 140° F) (Storage)	
	Humidity	10 - 90% @ 40° C (Non-condensing) (Operating) 5% - 90% @ 40° C (Non-condensing) (Storage)	
	Shock Resistance	20 G peak acceleration (11 ms duration)	
Physical Characteristics	Dimensions (W x D x H)	550 x 360 x 65 mm (21.65" x 14.17" x 2.56")	
	Weight	6.9 kg (15.2 lb)	
	VESA Mount	100 x 100, 75 x 75	

\* = Customized solution contact Advantech sales team for more information



## Rear I/O Ports



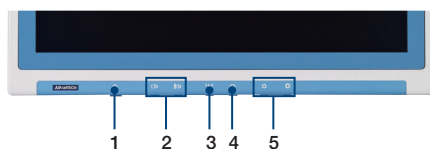
- (1) PCIe (x4) card slot
- (2) 2 x USB 2.0 ports
- (3) 2 x USB 3.0 ports
- (4) Displayport
- (5) 2 x Gigabit Ethernet interfaces (RJ-45)
- (6) 2 x RS-232/422/485 (isolated) serial port
- (7) HDMI out port
- (8) AC-in
- (9) Equipotential Terminal Pin

## Back Side



Water/Dust resistance IP54 for whole system

## Function Keys



- (1) Power
- (2) Volume Up/Down
- (3) Touchscreen Status Control
- (4) Read Light Control
- (5) Brightness Increase/Decrease

## Ordering Information

Part Number	CPU	DRAM	Touch Panel	SSD
POC-WP213-A11D-ACE	Core i7-6600U 2.6G	4GB	P-CAP	128GB
POC-WP213-B11D-ACE	Core i5-6300U 2.4G	4GB	P-CAP	128GB
POC-WP213-C11D-ACE	Celeron 3955U 2.0G	4GB	P-CAP	128GB

## Accessories

Part Number	Description
1700008921	POWER CORD 3P/3P POWER SUPPLY 1.83M ARK-5280 PSE (JPN)
1700001524	Power Cord 3P UL 10A 125V 180cm (US)
170203183C	POWER Cord 3P Europe (WS-010+WS-083)183cm

## Optional Modules

Part Number	Description
POC-WP213-WF3E	WLAN (802.11 a/b/g/n/ac) and Bluetooth 4.1 Module

For information about DICOM & RFID, contact Advantech sales team

## PCIe Module

Part Number	Description
96SER-9PN-2P-PE-UP	UPMOST RS-232 CARD 9PIN 2PORT PCIE(G)
XAEU-UTB101	UPMOST UTB101 1394A EXPANSION CARD
PCIE-1602C-AE	2-port RS-232/422/485 PCIe Comm. Card w/Iso
DMS-IR06-00A1E	Dual LAN port
PCE-USB4-00A1E	4 USB3.0 Ports expansion card(PCIex4)