

# PCM-24S34G

LTE/HSPA+/GPRS and GPS,  
Full-size mPCIe, 4G/GPS antennas,  
for EMEA/Australia and Americas regions

**NEW**



## Features

- Meets Advantech Standard iDoor Technology
- PCI Express® Mini Card Specification Revision 1.2 compliant
- Supports B1/B2/B3/B4/B5/B7/B8/B13/B17/B20/B25 for LTE network
- Supports B1/B2/B4/B5/B8 for UMTS/HSPA+ network
- Supports 850/900/1800/1900 MHz for EDGE/GPRS/GSM network
- Supports GPS location function
- Operating temperature: -40 ~ 85°C ( -40 ~ 185°F)
- Supports 32/64-bit Windows 7/8/8.1, Linux Ubuntu 14.04
- Supports Embedded Automation PC UNO-2300/2400 series
- Supports Control DIN-Rail PC UNO-1200/1300/1400 series
- Supports Control Cabinet PC UNO-3200 series

\* For UNO-2200 series, contact Advantech for more ordering information

## Introduction

The PCM-24 series are categorized as communication modules from Advantech iDoor Technology. They are all compatible with the PCI Express® Mini Card Specification Revision 1.2, including Isolated / Non-Isolated RS-232/422/485 communication cards for automation control, Wi-Fi/3G/GPS/GSM/LTE wireless communication models for data exchange during the management and machine level of automation application, Zigbee module as an IoT terminal or controller and PoE function for smart camera in detect inspection application of production. This is a flexible design that enables customers to customize their features which meet iDoor Technology.

## Specifications

### General

- Bus Type** PCI Express Mini Card Revision 1.2
- Certification** CE, FCC, GCF, NCC, PTCRB
- Dimensions** Module: 51 x 30 x 12.4 mm (2" x 1.18" x 0.49")  
I/O Plate: 81 x 19.4 x 41 mm (3.19" x 0.76" x 1.61")
- Power Consumption** 3.3 V / 950 mA (Max)
- SMA Cable** Coaxial GSM/ GPS cable, 250 mm

### Communication

Model Name	PCM-24S34G-EAE	PCM-24S34G-AAE
<b>Communication</b>	<b>Bands</b>	
<b>LTE</b>	Band 1 (2100 MHz) Band 3 (1800 MHz) Band 7 (2600 MHz) Band 8 (900 MHz) Band 20 (800 MHz)	Band 2 (1900 MHz) Band 4 (1700/2100 MHz) Band 5 (850 MHz) Band 13 (700 MHz) Band 17 (700 MHz) Band 25 (1900 MHz)
<b>UMTS (WCDMA) HSPA+</b>	Band 1 (2100 MHz) Band 2 (1900 MHz) Band 5 (850 MHz) Band 8 (900 MHz)	Band 1 (2100 MHz) Band 2 (1900 MHz) Band 4 (1700/2100 MHz) Band 5 (850 MHz) Band 8 (900 MHz)
<b>CDMA</b>	N/A	BC 0/1/10
<b>GSM/GPRS/EDGE</b>	850/900/1800/1900 MHz	
<b>Data rates (LTE)</b>	Maximum Downlink: 100 Mbps Maximum Uplink: 50 Mbps	

### Antenna

- 4G Antenna Frequency** 700 ~ 960 MHz, 1710 ~ 2700 MHz
- 4G Antenna Length** 167 mm
- GPS Antenna Frequency** 1575.42 ± 5 MHz
- GPS Antenna Cable Length** 500 mm

### Software

- OS Support** Microsoft® Windows® 7/8/8.1,  
Linux Ubuntu 14.04

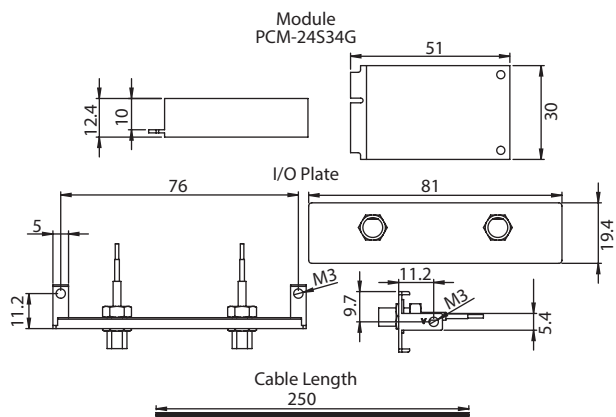
### Environment

- Humidity (Operating)** 5-95% RH, non-condensing
- Operating Temperature** -40 ~ 85°C (-40 ~ 185°F)

## Regulation

PCM-24S34G employs Sierra Wireless MC-7304/7354 module and corresponds to its regulation.

## Dimensions



## Ordering Information

- PCM-24S34G-EAE** Sierra MC7304 LTE/HSPA+/GPS, mPCIe, antennas, for EMEA/Australia
- PCM-24S34G-AAE** Sierra MC7354 LTE/HSPA+/GPS, mPCIe, antennas, for Americas