

POC-W243

24" Widescreen Point-of-Care Terminal with IPS TFT Display and Intel 6th Generation Processor



Features

- Runs on Intel® 6th generation, Skylake processor with a fanless, high performance profile
- 24" full HD resolution, IPS LCD with edge to edge, bezel-less design
- USB 3.0 and PCIe4 expansion slot, mini PCIe slot x 2
- Offers a multi-touch option to deliver a truly unmatched touchscreen experience
- IP54 enclosure to protect against dust and water splashing for ease of cleaning
- Isolated design provides unique electric leakage protection for COM ports, and LAN ports, and optional USB port
- Optional Bluetooth, RFID inner WLAN module, Li-ion battery pack, and auto-focus 5M pixel camera and DICOM preset
- Support Intel® firmware trusted platform module (TPM) with Intel® Platform Trust Technology (Intel® PTT)

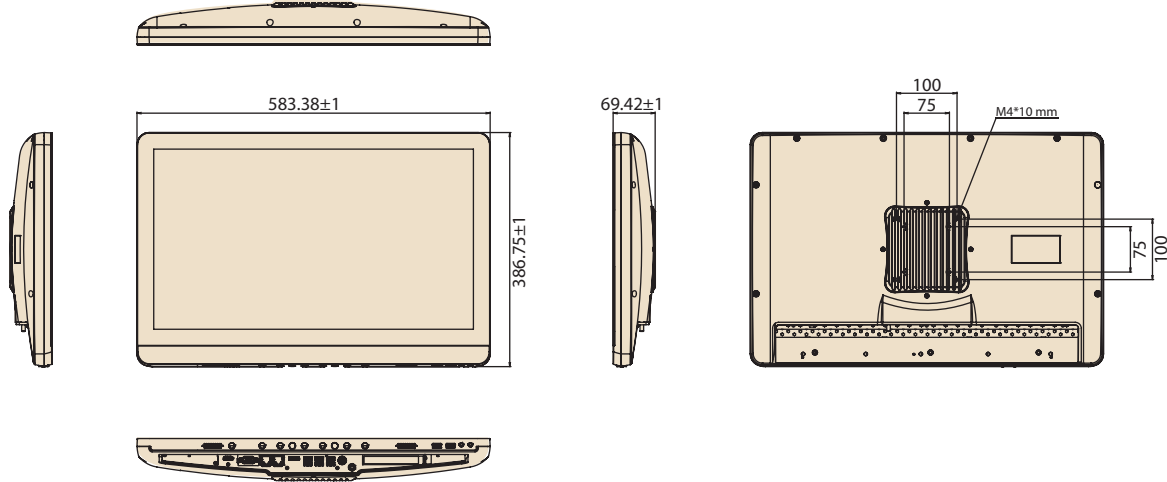
Specifications

Computing System	CPU	Intel® Core™ i7-6600U Processor (4M Cache, up to 3.40 GHz) Intel® Core™ i5-6300U Processor (3M Cache, up to 3.00 GHz) Intel® Core™ i3-6100U Processor (3M Cache, 2.30 GHz) Intel® Celeron® Processor 3955U (2M Cache, 2.00 GHz)	
	Memory	DDR4-1666/2133 SODIMM (up to 32GB)	
	Graphics Controller	Intel HD Graphics 520/510	
	G-sensor	2g/+4g/-8g/+16g, 6D/4D orientation detection	
	Operating System (Optional)	Windows 7/ Windows 8.1 Industry Pro/ Windows 10 IoT	
Display	Display Size	23.8" wide TFT color LCD (16:9)	
	Type	IPS	
	Max. Resolution	1920 x 1080	
	Max. Colors	16.7 M colors (6-bits+A-FRC)	
	Pixel Pitch (um)	247.5 x 247.5	
	Luminance	250 cd/m ²	
	Backlight	LED	
Expansion Slot	LCD MTBF	30,000 Hours	
	Contrast Ratio	1000 : 1	
I/O Ports	Mini PCIe (mSATA)	2 (Mini PCIe: 1 full-size, 1 half-size)	
	PCIe	1x PCIe (x4) slot (Max. card length: 167.65mm)	
	Serial Ports	2 x RS-232/422/485 (1.5KV isolated) serial port	
	USB 3.0 ports	2 x USB 3.0 ports (rear)	
	USB 2.0 Ports	2 x USB 2.0 ports (front) 2 x USB 2.0 ports (rear)	
	LAN	2 x Gigabit Ethernet (1.5KV isolated) interfaces (RJ-45)	
	HDMI	1 x HDMI max resolution 4096 x 2304 @ 24Hz	
	Displayport	1 x DP max resolution 4096 x 2304 @ 60Hz	
	Audio	2 x 2W speakers; 1 x MIC-in and speaker-out	
Storage	SSD (Default)	128GB SSD	
	HDD/mSATA (Optional)	2.5" SATA HDD instead of SSD*, Mini PCIe mSATA	
Power Supply	DC Model	AC/DC adapter (Sinpro Model no. HPU101-107)	
	Input Voltage	90 ~ 260 V _{AC} , 1.35 ~ 0.5 A, 47 ~ 63 Hz	
	Output Voltage	18 V _{DC} , 5.55A Max. (100 watts)	
Optional Functions	Battery	3S1P 1750mAh, supports 0.5hr backup operation (Adding the battery will shorten available PCIe x4 slot space inserted)	
	WLAN & Bluetooth	Qualcomm Atheros Dual-band (2.4/5GHz) 802.11 a/b/g/n/ac 2Tx/2Rx WiFi & Bluetooth v4.1	
	RFID*	13.56MHz, ISO-15693, ISO-14443A, ISO-14443B	
	Camera*	Auto-focus 5M pixel camera	
	Smart Card Reader*	Complies with ISO7816-1,2,3,T=1 and T=0 protocol	
	DICOM*	DICOM pre-set	
Optional Touchscreen	Type	Projected Capacitive 10-points (Clear)	Projected Capacitive 10-point (AG)
	Resolution	Continuous	Continuous
	Light Transmission	90%	80%
	Controller	USB interface	USB interface
	Durability	>100 million touches	>100 million touch
IP Rating	Entire System	IP-54	
Certifications	EN60601-1 Edition 3.1 compliance, UL60601-1 Edition 3.1, and CE & FCC Edition 4.0 Class B certified		
Environment	Temperature	Operating: 0° C ~ +40° C, Storage: -20° C ~ +60° C	
	Humidity	Operating: 10% ~ 90%@40°C non-condensed; Storage: 5% ~ 90%@40°C non-condensed	
	Shock Resistance	20G peak acceleration (11ms duration)	
Physical Characteristics	Dimensions (W x D x H)	583 x 386 x 69 mm (22.95" x 15.19" x 2.71")	
	Weight (Bare system)	7.95 kg (17.52 lb.)	
	VESA Mount	100 x 100; 75 x 75	

* = Customized solution contact Advantech sales team for more information

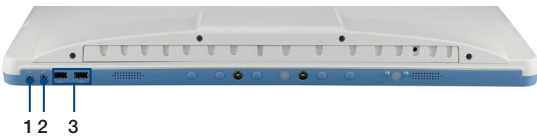
Dimensions

Unit: mm



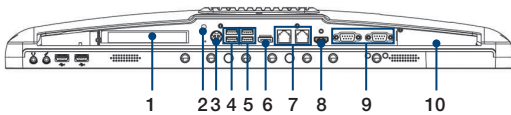
I/O Ports

Front



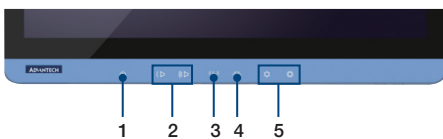
- (1) Speaker Out
- (2) MIC-in
- (3) 2 USB 2.0

Rear



- (1) PCIe (x4) card slot
- (2) Equipotential Terminal Pin
- (3) DC in
- (4) 2 x USB 2.0 ports
- (5) 2 x USB 3.0 ports
- (6) Displayport
- (7) 2 x Gigabit Ethernet interfaces (RJ-45)
- (8) HDMI
- (9) 2 x RS-232/422/485(isolated) serial port
- (10) iDoor Module

Front Function Keys



- (1) Power
- (2) Volume Down/Up
- (3) Touchscreen Status Control
- (4) Read Light Control
- (5) Brightness Decrease/Increase

Ordering Information

Part Number	CPU	DRAM	Touch Panel	SSD
POC-W243-A11D-ACE	Core i7-6600U 2.6G	4GB	P-CAP	128GB
POC-W243-B11D-ACE	Core i5-6300U 2.4G	4GB	P-CAP	128GB
POC-W243-C11D-ACE	Celeron 3955U 2.0G	4GB	P-CAP	128GB

iDoor Module

Option	Description
Option 1	USB2.0 2 port card
Option 2	IEEE 1394 Firewire card
Option 3	RS-232/422/485 2-port card

Accessories

Part Number	Description
PDC-W215-STAND-H3E	PDC-W215 STAND_H3-741L type_6-12kg Black
1702002600	Power Cable (USA) 1.8 M
1702002605	Power Cable (Europe) 1.8 M
1700018704	Power Cord (UK) 1.8 M

Optional Modules

Part Number	Description
POC-W21X-BA0E	Battery Pack, 3S1P, 1750 mAh
POC-W243-WF3E	WLAN (802.11 a/b/g/n/ac) and Bluetooth 4.1 Module

For information about 5M Pixel camera, DICOM, RFID & Smart card, contact Advantech sales team

PCIe Module

Part Number	Description
96SER-9PN-2P-PE-UP	UPMOST RS-232 CARD 9PIN 2PORT PCIE(G)
XAEU-UTB101	UPMOST UTB101 1394A EXPANSION CARD
PCIE-1602C-AE	2-port RS-232/422/485 PCIe Comm. Card w/Iso
DMS-IR06-00A1E	Dual LAN port
PCE-USB4-00A1E	4 USB3.0 Ports expansion card(PCIex4)