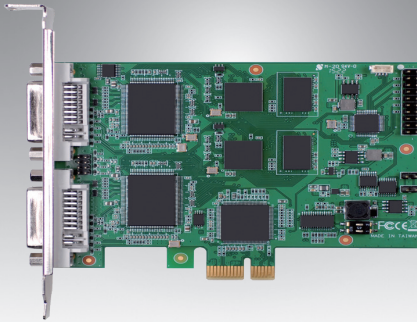


DVP-7021HE

2-ch Full HD H.264/MPEG4 PCIe Video Capture Card with SDK

NEW



Features

- 2-channel HDMI/DVI/VGA/S-Video/YPbPr video inputs with H.264/MPEG4 software compression
- 60/50 fps (NTSC/PAL) at up to 1920 x 1080p resolution for recording and display for each channel
- PCIe x1 host interface
- Supports Watchdog function
- Windows/Linux OS supported

FCC CE RoHS COMPLIANT PRODUCTS

Introduction

DVP-7021HE is a PCIe-bus, software compression video capture card with 2ch HDMI/DVI/VGA/S-Video/YPbPr video and 2ch audio inputs. DVP-7021HE supports H.264/MPEG4 compression format at up to Full HD 1080p for each channel. With an easy-to-use software development kit (SDK) and the flexibility to stack multiple cards, DVP-7021HE is an ideal solution for various video capture applications.

Specifications

Video	Video Standard	HDMI/DVI/VGA/S-Video/YPbPr
	Video Input	2 x HDMI/DVI/VGA/S-Video/YPbPr
	Compression	S/W H.264 / MPEG4
	Max. Display Rate	60/50 fps (NTSC/PAL) @ 1920 x 1080p/ch
	Max. Recording Rate	60/50 fps (NTSC/PAL) @ 1920 x 1080p/ch
Audio	Audio Input	2 x HDMI/ 2 x RCA
	Format	STEREO/16 bits/32000 ~ 48000 Hz
System Requirements	CPU (Display)	Intel® Core™ 2 Duo E2200 2.2 GHz
	CPU (Recording)*	Intel® Core™ 2 Quad Q9400 2.6 GHz
	Memory	2 GB
	VGA	1024 x 768, DirectX 9.0c
	Operating System	Windows XP/XPe/Vista/7/8/8.1/10; Linux 2.6.14 or higher; 32/64 bits
Physical Characteristics	Host Interface	PCIe x1
	Operating Temperature	-20 ~ 70 °C (-4 ~ 158 °F)
	Storage Temperature	-40 ~ 85 °C (-40 ~ 185 °F)
	Dimension (L x H)	108 x 85 mm (4.2" x 3.3")
	Safety	CE/FCC

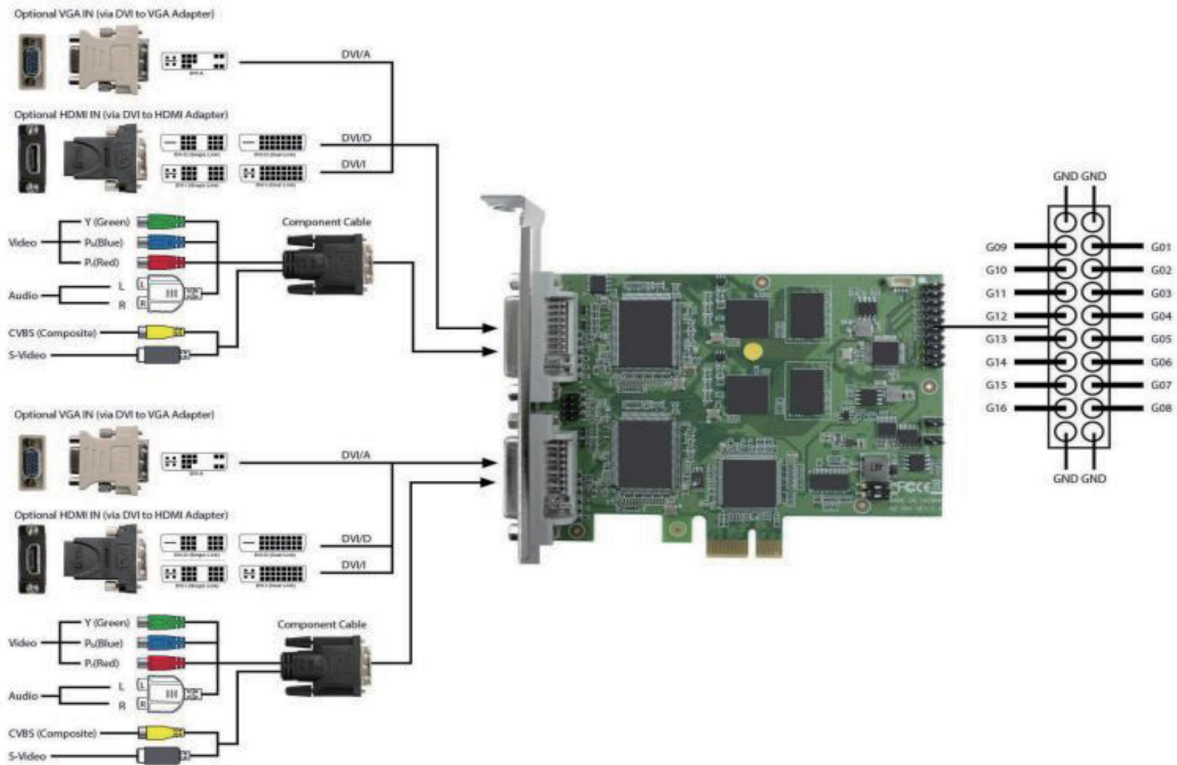
*For high quality full HD video recording at max. recording rate, Intel Sandy Bridge processor or above and Win7 OS are recommended.

Versatile SDK Support (For Windows Only)

Advantech provides software development kit (SDK), a set of development tools that allows a software engineer to integrate video capture modules into different types of system. Functions include video recording, playback and instant preview.

- Software Library
- SDK Manual
- Sample Program

Connection Diagram



Ordering Information

Part Number	Description
DVP-7021HE	2-ch Full HD H.264/MPEG4 PCIe Video Capture Card with SDK

Packing List

Item	Amount
DVP-7021HE Capture Card	1 (piece)
DVI to YPbPr / AV / S-video cable	2 (piece)