

POC-W213

21.5" Widescreen Point-of-Care Terminal with Fanless and Slim Design



Features

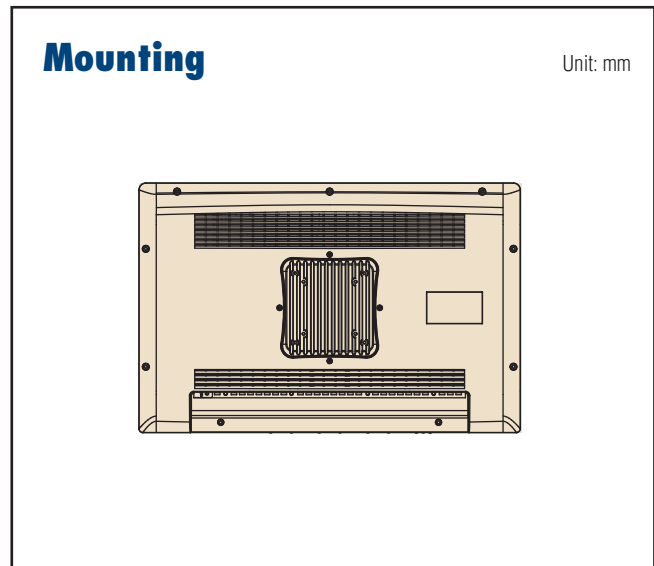
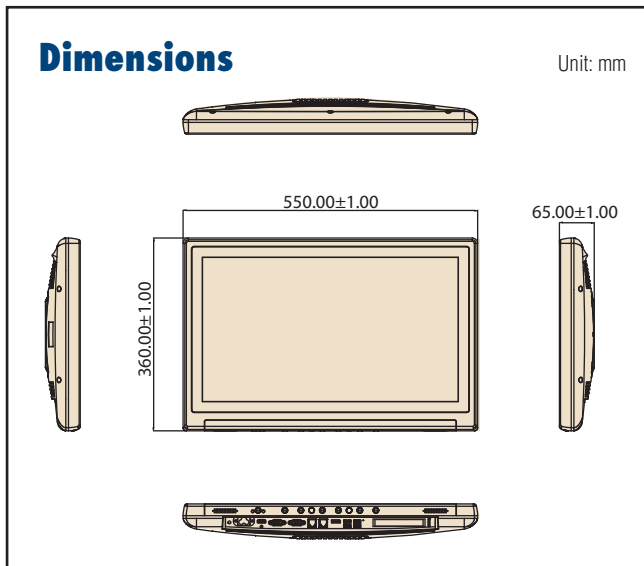
- Runs on Intel® 6th generation, Skylake processor with a fanless, high performance profile
- Ultra-thin display, only 65 mm slim at its widest point
- Capable of displaying crystal clear images on its 21.5" wide-screen display
- Isolated design provides unique electric leakage protection for COM ports and LAN ports
- IPX1 water resistant enclosure with additional IP65 dust-tight front panel
- IEC 60601-1 Ed 3.1 certified ensures highest levels of safety and reliability
- Optional Bluetooth, RFID, Blu-ray RW, inner WLAN, Li-ion battery pack, IEEE 1394, and DICOM module
- Support Intel® firmware trusted platform module (TPM) with Intel® Platform Trust Technology (Intel® PTT)



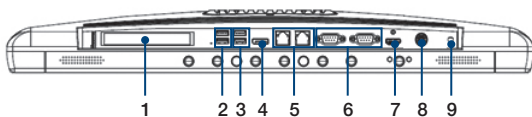
Specifications

| | | | |
|--------------------------|--|--|-------------------------------------|
| Computing System | CPU | Intel® Core™ i7-6600U Processor (4M Cache, up to 3.40 GHz) Intel® Core™ i5-6300U Processor (3M Cache, up to 3.00 GHz) Intel® Core™ i3-6100U Processor (3M Cache, 2.30 GHz) Intel® Celeron® Processor 3955U (2M Cache, 2.00 GHz) | |
| | Memory | DDR4 1866/2133 SODIMM (up to 32GB) | |
| | Graphics Controller | Intel HD Graphics 520/510 | |
| | G-sensor | 2g/±4g/±8g/±16g, 6D/4D orientation detection | |
| | Operating System (Optional) | Windows 7/Windows 8.1 Industry Pro/Windows 10 IoT | |
| Display | Display Size | 21.5" wide TFT color LCD (16:9) | |
| | Type | IPS | |
| | Max. Resolution | 1920 x 1080 (H x V) | |
| | Max. Colors | 16.7 M colors (6-bits+A-FRC) | |
| | Pixel Pitch (um) | 247.5 x 247.5 | |
| | Viewing Angle | 178/178° | |
| | Luminance | 250 cd/m ² | |
| | Backlight | LED | |
| | LCD MTBF | 30,000 Hours | |
| Expansion Slot | Mini PCIe (mSATA) | 2 (1 x full-size, 1 half-size) | |
| | PCIe | 1 x PCIe (x4) (Max. card length: 167.65mm) | |
| I/O Ports | Serial Ports | 2 x RS-232/422/485 (1.5KV isolated) serial port | |
| | USB 3.0 ports | 2 x USB 3.0 ports (rear) | |
| | USB 2.0 Ports | 2 x USB 2.0 ports (side) 2 x USB 2.0 ports (Rear) | |
| | Audio | 2 x speakers (2 W) | |
| | HDMI | 1 x HDMI out, support resolution up to 4096 x 2304 @ 24Hz | |
| | Displayport | 1 x Displayport out, support resolution up to 4096 x 2304 @ 60Hz | |
| Storage | LAN | 2 x Gigabit Ethernet (1.5KV isolated) interfaces (RJ-45) | |
| | SSD (Default) | 128GB SSD | |
| | HDD/mSATA (Optional) | 2.5" SATA HDD instead of SSD*, Mini PCIe mSATA | |
| Power Supply | DC Model | AC/DC adapter (Sinpro Model no.HPU101-107) | |
| | Input Voltage | 90 ~ 260 V _{ac} , 1.35 ~ 0.5 A, 47 ~ 63 Hz | |
| | Output Voltage | +18 V _{oc} , 5.55 A max. (100 watts) | |
| Optional Functions | Battery | 3S1P 1750mAh, supports 0.5hr backup operation (Adding the battery will shorten available PCIe x4 slot space inserted) | |
| | Smart Card Reader | Complies with ISO7816-1,2,3,T=1 and T=0 protocol | |
| | WLAN & Bluetooth | Qualcomm Atheros Dual-band (2.4/5GHz) 802.11 a/b/g/n/ac 2Tx/2Rx WiFi & Bluetooth v4.1 | |
| | RFID* | 13.56MHz, ISO-15693, ISO-14443A, ISO-14443B | |
| | DICOM* | DICOM pre-set | |
| Optional Touchscreen | Type | Analog Resistive (Clear & AG) | Projected Capacitive 10-points (AR) |
| | Resolution | Continuous | Continuous |
| | Light Transmission | 80±3% | 90±3% |
| | Controller | USB interface | USB interface |
| | Durability | 35 million touches | Over 50 million touches |
| IP Rating | Front Panel | IP65 | |
| | Entire System | IPX1 | |
| Certifications | UL60601-1/EN60601-1 Edition 3.1, CE & FCC Edition 4.0 Class B, and CCC certified | | |
| Environment | Temperature | 0 ~ 40° C (32 ~ 104° F) (Operating) -20 ~ 60° C (-4~140° F) (Storage) | |
| | Humidity | 10 ~ 90% @ 40° C (Non-condensing) (Operating) 5% ~ 90% @40° C (Non-condensing) (Storage) | |
| | Shock Resistance | 20 G peak acceleration (11 ms duration) | |
| Physical Characteristics | Dimensions (W x D x H) | 550 x 360 x 65 mm (21.65" x 14.17" x 2.56") | |
| | Weight | 6.9 kg (15.2 lb) | |
| | VESA Mount | 100 x 100, 75 x 75 | |

* = Customized solution contact Advantech sales team for more information



Rear I/O Ports

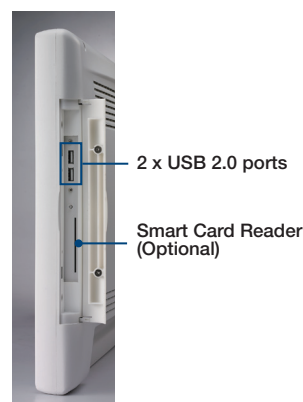


- (1) PCIe(x4) card slot
- (2) 2 x USB 2.0 ports
- (3) 2 x USB 3.0 ports
- (4) Displayport
- (5) 2 x Gigabit Ethernet interfaces (RJ-45)
- (6) 2 x RS-232/422/485(isolated) serial port
- (7) HDMI port out
- (8) DC-IN
- (9) Equipotential terminal pin

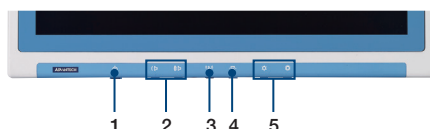
Left Side I/O



Right Side I/O



Function Keys



- (1) Power
- (2) Volume Up/Down
- (3) Touchscreen Status Control
- (4) Read Light Control
- (5) Brightness Increase/Decrease

Ordering Information

| Part Number | CPU | DRAM | Touch Panel | SSD |
|-------------------|--------------------|------|-------------|-------|
| POC-W213-A01D-ACE | Core i7-6600U 2.6G | 4GB | P-CAP | 128GB |
| POC-W213-B01D-ACE | Core i5-6300U 2.4G | 4GB | P-CAP | 128GB |
| POC-W213-C01D-ACE | Celeron 3955U 2.0G | 4GB | P-CAP | 128GB |

Accessories

| Part Number | Description |
|--------------------|--|
| PDC-W215-STAND-H3E | PDC-W215 STAND_H3-741L type_6~12kg Black |
| 1702002600 | Power Cable (USA) 1.8 M |
| 1702002605 | Power Cable (Europe) 1.8 M |
| 1700018704 | Power Cord (UK) 1.8 M |

Optional Modules

| Part Number | Description |
|---------------|---|
| POC-W213-WF3E | WLAN (802.11 a/b/g/n/ac) and Bluetooth 4.1 Module |
| POC-W21X-BA0E | Battery Pack, 3S1P, 1750 mAh |
| POC-W21X-SC0E | Smart Card module |
| POC-W212-RW0E | DVD+/-RW module |

For information about DICOM & RFID, contact Advantech sales team

PCIe Module

| Part Number | Description |
|--------------------|---|
| 96SER-9PN-2P-PE-UP | UPMOST RS-232 CARD 9PIN 2PORT PCIE(G) |
| XAEU-UTB101 | UPMOST UTB101 1394A EXPANSION CARD |
| PCIE-1602C-AE | 2-port RS-232/422/485 PCIe Comm. Card w/Isolation |
| DMS-IR06-00A1E | Dual LAN port |
| PCE-USB4-00A1E | 4 USB3.0 Ports expansion card(PCIex4) |