

AIM-65

8" Industrial-Grade Tablet with Intel® Atom™ Processor



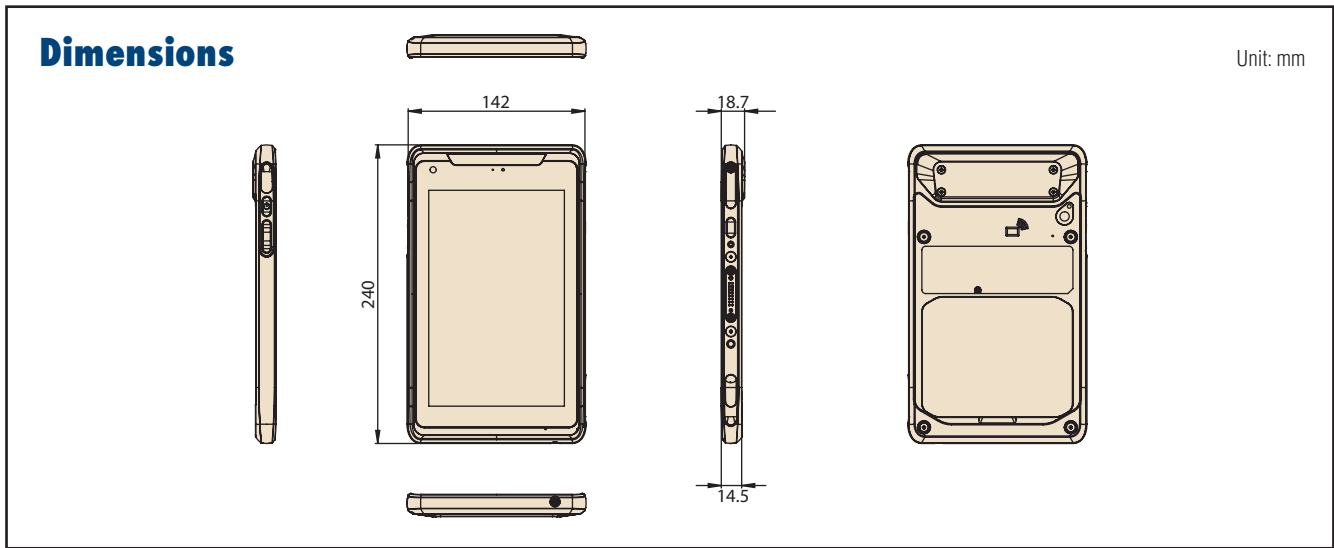
Features

- Intel® Atom™ processor for Windows 10 IoT and Android 6.0 operating systems
- 8" WUXGA full HD display with scratch-resistant Corning® Gorilla® Glass 3 and multi-touch PCAP control
- WLAN, BT, NFC, 3G/4G LTE technology for seamless communications
- Optional extension modules such as a 1D/2D barcode scanner and LAN + COM module
- Optional accessories include an active stylus pen, hand strap, and shoulder strap, as well as vehicle, office, desk, and VESA docking stations
- Additional modules and accessories can be customized according to application requirements

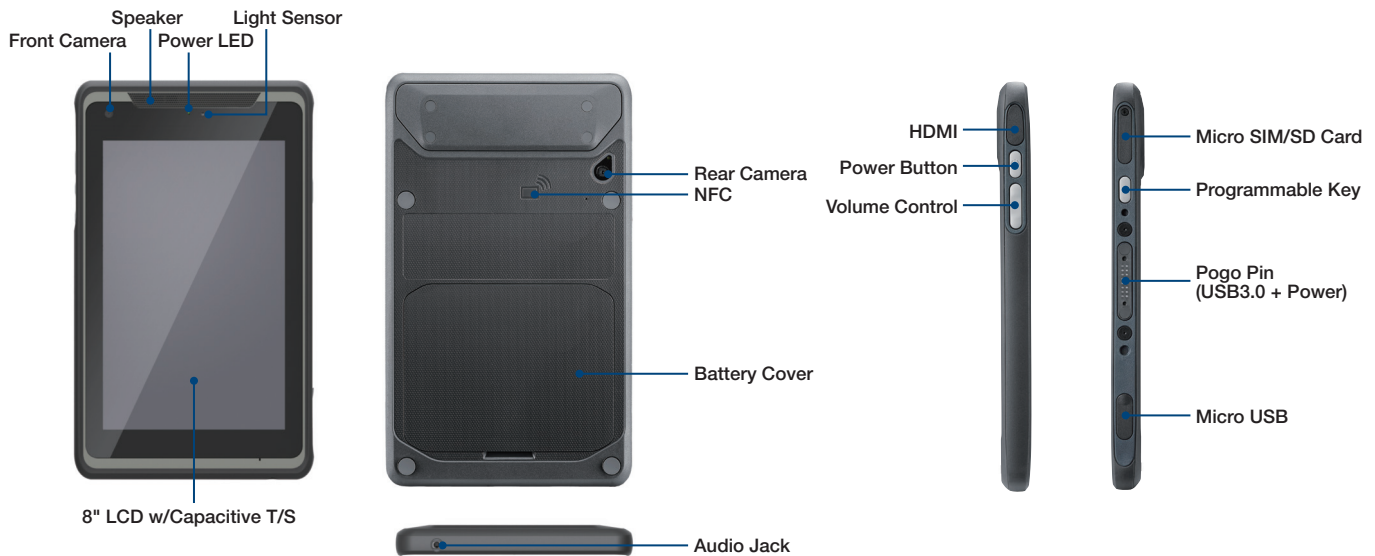


Specifications

| | | |
|-------------|-----------------------------|---|
| System | Processor | Intel® Atom™ quad-core x5-Z8350 (1.44 GHz) |
| | Memory | 2/4 GB (default 2 GB) |
| | OS | Windows 10 IoT Enterprise, Android 6.0 |
| Storage | eMMC | 32/64 GB (default 32 GB) |
| | SD Card | 1 x Micro SD |
| Display | Type | 8" IPS LCD |
| | Resolution | WUXGA 1200 x 1920 |
| | Brightness | 400 cd/m ² |
| Touchscreen | Type | 10-point multi-touch capacitive |
| | Construction | Directly bonded Corning® Gorilla® Glass 3 |
| Multimedia | Speaker | 1 x Internal speaker (1 W) |
| | Microphone | 1 x Internal microphone for noise suppression |
| Camera | Front | 2-Megapixel camera with fixed focus |
| | Rear | 5-Megapixel camera with auto focus and LED flash |
| Sensors | | Ambient Light Sensor, E-Compass, G-Sensor, Gyroscope |
| I/O | Standard I/O | 1 x Micro HDMI 1 x Micro USB 2.0 (host and charging) 1 x Micro SIM |
| | Extended I/O | 1 x AIM extension 14-pin pogo connector: 1 x USB 2.0, 1 x 2-wire UART, 5V/1A power 1 x AIM dock 16-pin pogo connector: 1 x USB 3.0, 9V power |
| | Buttons | 1 x Power 2 x Volume control 1 x Hotkey (default is barcode scanner trigger) |
| | LED | 1 x Power/battery status indicator |
| | Wireless Communication | WLAN/Bluetooth |
| | NFC | 13.56 MHz, compatible with ISO 15693, ISO 14443A, ISO 14443B, FeliCa |
| | WWAN | 4G LTE multi-device broadband for US, EU, CN, and JP |
| GNSS | Satellite System (Optional) | GPS, GLONASS, BDS |
| Power | Input Voltage | Micro USB: 5V/3A Dock pogo: 9V/2A |
| | Battery | Swappable battery: 1S2P 3.8V 18.6W |
| Mechanical | Dimensions (W x D x H) | 142 x 240 x 14.5 mm (5.59 x 9.44 x 0.57 in) |
| | Weight | 0.6 kg (1.32 lb) |
| Environment | Operating Temperature | -10 ~ 50 °C (14 ~ 122 °F); 0 ~ 40 °C (32 ~ 104 °F) when charging |
| | Storage Temperature | -20 ~ 60 °C (-4 ~ 140 °F) |
| | IP Rating | IP65 |
| | Shock | Operating: 30 G, 11 ms Non-operating: 100 G, 6 ms |
| | Vibration | Operating/non-operating: IEC 60721-3-5 5M3 compliant |
| | Drop Tested | Up to 4 foot (120 cm) onto concrete |
| | Safety/EMC | UL, CB, LVD + Energy Star 6.1, CE, FCC, IC, VCCI, RCM, CCC, BSMI |
| | Certifications | RED, FCC ID, IC, TELEC, NCC, SRRC, RCM |



System I/O



Ordering Information

| Part Number | Configurations | | | | | | | | | |
|-------------------|-----------------------|--------|---------|-----|----------|--------|----------|-------|-------|-----------------------|
| | CPU | Memory | Storage | NFC | Wi-Fi/BT | LTE | GPS | F-Cam | R-Cam | OS |
| AIM-65AT-20101000 | Intel® Atom™ x5-Z8350 | 2 GB | 32 GB | V | V | X | X | 2 MP | 5 MP | Win 10 IoT Enterprise |
| AIM-65AT-20103000 | Intel® Atom™ x5-Z8350 | 2 GB | 32 GB | V | V | V (NA) | embedded | 2 MP | 5 MP | Win 10 IoT Enterprise |
| AIM-65AT-20104000 | Intel® Atom™ x5-Z8350 | 2 GB | 32 GB | V | V | V (EU) | embedded | 2 MP | 5 MP | Win 10 IoT Enterprise |
| AIM-65AT-21101000 | Intel® Atom™ x5-Z8350 | 2 GB | 32 GB | V | V | X | X | 2 MP | 5 MP | Android 6.0 |
| AIM-65AT-21103000 | Intel® Atom™ x5-Z8350 | 2 GB | 32 GB | V | V | V (NA) | embedded | 2 MP | 5 MP | Android 6.0 |
| AIM-65AT-21104000 | Intel® Atom™ x5-Z8350 | 2 GB | 32 GB | V | V | V (EU) | embedded | 2 MP | 5 MP | Android 6.0 |
| AIM-65AT-22301000 | Intel® Atom™ x5-Z8350 | 4 GB | 64 GB | V | V | X | X | 2 MP | 5 MP | Win 10 IoT Enterprise |
| AIM-65AT-22303000 | Intel® Atom™ x5-Z8350 | 4 GB | 64 GB | V | V | V (NA) | embedded | 2 MP | 5 MP | Win 10 IoT Enterprise |
| AIM-65AT-22304000 | Intel® Atom™ x5-Z8350 | 4 GB | 64 GB | V | V | V (EU) | embedded | 2 MP | 5 MP | Win 10 IoT Enterprise |

Optional Accessories

| Part Number | Description |
|-------------|---|
| 1700001524 | Power cord (USA) UL 3P 10A 125V 183 cm |
| 1700008921 | Power cord (Japan) PSE 3P 7A 125V 183 cm |
| 1700019146 | Power cord (China) CCC 3P 10A 250V 183 cm |
| 1700018553 | Power cord (NZ/AU) SAA 3P 10A 250V 183 cm |
| 170203180A | Power cord (UK) BSI 3P 10A 250V 183 cm |
| 170203183C | Power cord (EU) 3P 2.5A 250V 183 cm |

Note: Power cords are suitable for AIM-65, AIM-VSD, and AIM-MCS.

AIM-VEH7

Vehicle Docking Station for AIM-65 Industrial-Grade Tablet



Features

- Compatible with 9 ~ 32 V_{DC} in-vehicle power supply
- Rapid single-handed docking and undocking
- Anti-theft locking mechanism
- External GPS antenna
- Programmable function keys
- High-density connector
- Compliant with SAE J1455 for vibration and shock tolerance
- Safe and reliable design for vehicle applications

Specifications

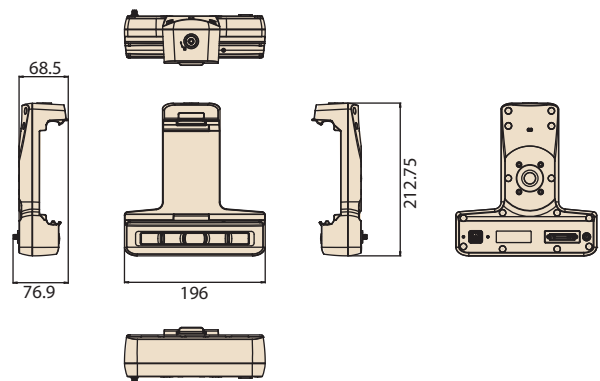
| | | Fully Configured Unit | Charging Dock Only |
|---------------|--------------------------|---|--------------------|
| I/O | High-Density Connector | 1 x CAN bus (supports raw CAN, J1939, OBD-II/ISO 15765) with configurable firmware | |
| | | 5 x Digital inputs | |
| | | 1 x Odometer (supports dry and wet contact) with configurable and switchable firmware (default wet contact) | |
| | | 2 x Digital outputs (supports speed pulse) | N/A |
| | | 1 x RS-232 (4 wire) | |
| | | 1 x RS-232/485 (2 wire) (default RS-485, termination enabled) | |
| | | 1 x USB 2.0 | |
| | | 1 x Power output 12V 1A | |
| GPS | Extended GPS | 1 x External GPS antenna | N/A |
| Function Keys | | 5 x Programmable function keys | N/A |
| Key Lock | | Anti-theft key lock (key can be removed) | N/A |
| Power | Input Voltage | Supports 12/24 V vehicle power (9 ~ 32 V _{DC} input range) | |
| Mechanical | Dimensions (W x D x H) | 196 x 76.9 x 212.75 mm (7.71 x 3.02 x 8.37 in) | |
| | Weight | 0.5 kg (1.10 lb) | |
| Environment | Operating Temperature | -10 ~ 50 °C (14 ~ 122 °F); 0 ~ 40 °C (32 ~ 104 °F) when charging | |
| | Storage Temperature | -30 ~ 80 °C (-22 ~ 176 °F) | |
| | IP Rating | IP54 | |
| | Vibration/Shock | SAE J1455 | |
| | Safety | UL, CB, LVD, CCC | |
| | Vehicle Power Regulation | E-Mark, ISO7637-2 | |
| | Certifications | CE, FCC, CCC | |

Ordering Information

| Part Number | Description |
|------------------|--|
| AIM-VEH7-0000 | AIM vehicle docking station (full configuration) |
| AIM-VEH7-0010 | AIM vehicle docking station (charging only) |
| 1700026766-01 | High-density cable |
| PWS-770-GPSAN00E | External GPS antenna |
| 1700027666-01 | Vehicle power cable (test only) |
| 1700027665-01 | Vehicle power cable (vehicle battery) |

Dimensions

Unit: mm



AIM-VSD

Docking Station Series for AIM-65 Industrial-Grade Tablet



Features

- 9 ~ 32 V wide input voltage range
- VESA (75 x 75 mm)-compliant docking stations
- -10 ~ 50 °C (14 ~ 122 °F) operating temperature
- Reliable docking connector for office applications

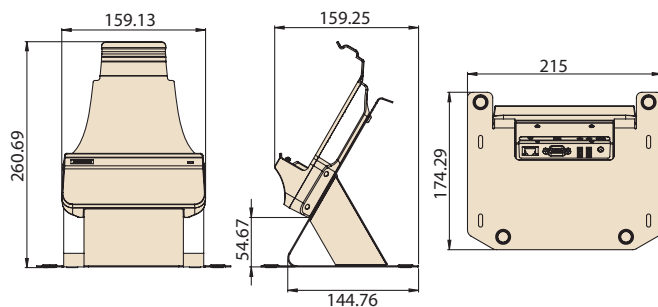
Specifications

| | | Office Docking Station | VESA Advanced Docking Station | VESA Docking Station with USB | VESA Docking Station |
|-------------|------------------------|--|--|---|---|
| I/O | | 2 x USB 3.0/2.0 1 x RS-232 COM 1 x Gigabit LAN 1 x Power jack | 2 x USB 3.0 1 x RS-232 COM 1 x Gigabit LAN 1 x Power jack | 2 x USB 2.0 1 x Power jack | 1 x Power jack |
| Stand | | SECC steel | N/A | N/A | N/A |
| Power | Input Voltage | 9 ~ 32/19V | 9 ~ 32 V | 19 V | 19 V |
| Mechanical | Dimensions (W x D x H) | 215 x 174.29 x 260.69 mm (8.5 x 6.9 x 10.3 in) | 160 x 61.8 x 189.2 mm (6.3 x 2.4 x 7.4 in) | 160 x 61.8 x 189.2 mm (6.3 x 2.4 x 7.4 in) | 160 x 61.8 x 189.2 mm (6.3 x 2.4 x 7.4 in) |
| | Weight | 0.75 kg (1.65 lb) | 0.282 kg (0.62 lb) | 0.28 kg (0.61 lb) | 0.28 kg (0.61 lb) |
| Environment | Operating Temperature | -10 ~ 50 °C (14 ~ 122 °F) | -10 ~ 50 °C (14 ~ 122 °F) | -10 ~ 50 °C (14 ~ 122 °F) | -10 ~ 50 °C (14 ~ 122 °F) |
| | Storage Temperature | -20 ~ 70 °C (-4 ~ 158 °F) | -20 ~ 70 °C (-4 ~ 158 °F) | -20 ~ 70 °C (-4 ~ 158 °F) | -20 ~ 70 °C (-4 ~ 158 °F) |
| | Safety | UL, CB, LVD, CCC | UL, CB, LVD, CCC | UL, CB, LVD, CCC | UL, CB, LVD, CCC |
| | Certifications | CE, FCC, CCC | CE, FCC, CCC | CE, FCC, CCC | CE, FCC, CCC |

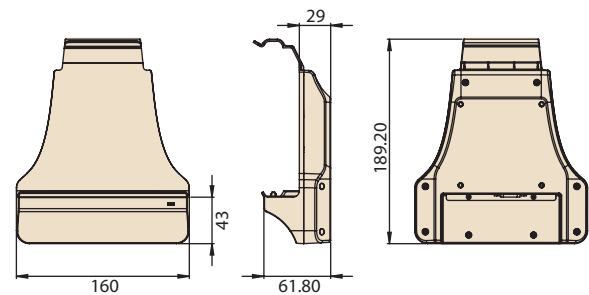
Dimensions

Unit: mm

Office Docking Station



VESA Advanced/VESA Docking Station



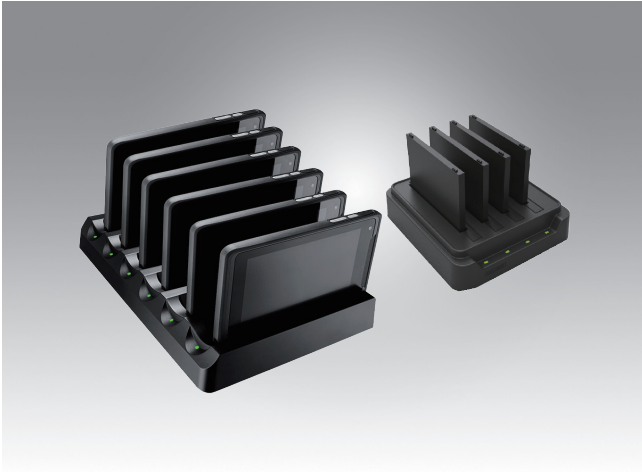
Ordering Information

| Part Number | Description |
|---------------|--|
| AIM-OFD0-0170 | AIM 8 Office Docking Station (Full Config) |
| AIM-OFD0-0171 | AIM 8 Office Docking Station (USB) |
| AIM-OFD0-0172 | AIM 8 Office Docking Station |

| Part Number | Description |
|---------------|--------------------------|
| AIM-VSD0-0170 | AIM 8 VESA Advanced Dock |
| AIM-VSD0-0171 | AIM 8 VESA Dock with USB |
| AIM-VSD0-0172 | AIM 8 VESA Dock |
| AIM-STD0-0000 | AIM 8 VESA Stand |

AIM-MCS

Multi-Bay Charging Stations for AIM



Features

- Can charge up to 6 tablets/4 batteries simultaneously
- Overcurrent and overvoltage protection provided
- Rapid single-handed docking and undocking
- LED indicators for monitoring charging status

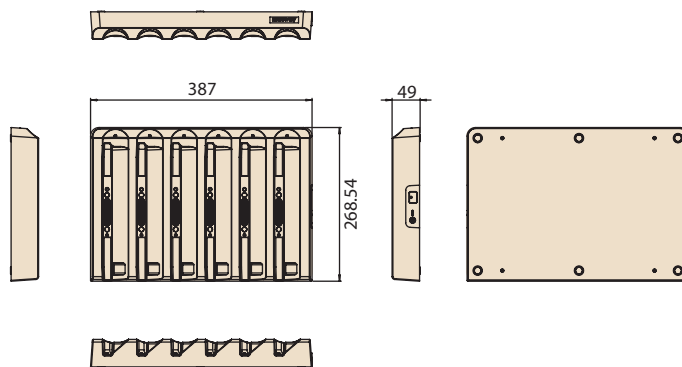
Specifications

| | | Multi-Tablet Charging Station | Multi-Battery Charging Station |
|-------------|------------------------|--|--|
| Capacity | Number of Bays | 6 | 4 |
| | Charging Current | 2A | 2.5A |
| Power | Charging Voltage | 9 V | 4.35 V |
| | Input Voltage | 19 V | 19 V |
| | LED Indicators | Green: Full Amber: Charging Red: Error | Green: Full Amber: Charging Red: Error |
| Mechanical | Dimensions (W x D x H) | 387 x 269 x 49 mm (15.23 x 10.59 x 1.92 in) | 144 x 155 x 39 mm (5.66 x 6.10 x 1.53 in) |
| | Weight | 1.98 kg (4.36 lb) | 0.48 kg (1.05 lb) |
| Environment | Operating Temperature | 0 ~ 40 °C (32 ~ 104 °F) | 0 ~ 40 °C (32 ~ 104 °F) |
| | Storage Temperature | -10 ~ 50 °C (14 ~ 122 °F) | -10 ~ 50 °C (14 ~ 122 °F) |
| | Safety | UL, CB, LVD, CCC, RCM | UL, CB, LVD, CCC, RCM |
| | Certifications | CE, FCC, CCC, RCM, BSMI | CE, FCC, CCC, RCM, BSMI |

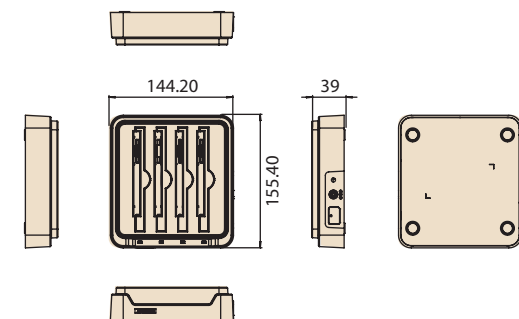
Dimensions

Unit: mm

Multi-Tablet Charging Station



Multi-Battery Charging Station



Ordering Information

| Part Number | Description |
|----------------|--|
| AIMCHG00150-ES | Multi-tablet charging station for AIM |
| AIMMBC00052-ES | Multi-battery charging station for AIM |

AIM-65 Extensions and Accessories

Extension Modules

Barcode Scanner (20°)



Barcode Scanner (70°)



LAN + COM Module



UHF RFID Reader



| Part Number | AIM-EXT0-0040 | AIM-EXT0-0041 | AIM-EXT0-0046 | AIM-EXT0-0047 |
|-------------------|---|---|---|--|
| Color | Black | Black | Black | Black |
| Dimensions | 130.2 x 38.7 x 27.8 mm (5.12 x 1.52 x 1.09 in) | 130.2 x 38.7 x 32 mm (5.12 x 1.52 x 1.25 in) | 130.2 x 70 x 29 mm (5.12 x 2.75 x 1.14 in) | 130.2 x 63.6 x 65.9 mm (5.12 x 2.5 x 2.59 in) |
| Weight | 0.042 kg (0.092 lb) | 0.042 kg (0.092 lb) | 0.078 kg (0.171 lb) | 0.08 kg (0.176 lb) |

Accessories

Hand Strap



Shoulder Strap



Holster



Active Stylus



Battery with Meter



| Part Number | AIM-SRP0-0000 | AIM-SRP0-0001 | AIM-HOLO-0160 | AIM-P704 | AIM-BATO-0251 |
|-------------------|---------------------------------|---|---|----------------------------------|---|
| Color | Black | Black | Black | Black | Black |
| Dimensions | 240 x 20 mm (9.44 x 0.78 in) | 380 x 135 x 20 mm (14.96 x 5.31 x 0.78 in) | 250 x 150 x 30 mm (9.84 x 5.9 x 1.18 in) | 140 x 9.7 mm (5.51 x 0.38 in) | 98 x 84.5 x 6.5 mm (3.85 x 3.32 x 0.25 in) |
| Weight | 0.022 kg (0.048 lb) | 0.05 kg (0.11 lb) | 0.23 kg (0.5 lb) | 0.02 kg (0.044 lb) | 0.104 kg (0.229 lb) |

Docking Station

Desk Docking Station



| Part Number | AIM-SDD7-0000 |
|-------------------|--|
| Color | Black |
| Dimensions | 131.5 x 128.5 x 107.9 mm (5.17 x 5.05 x 4.24 in) |
| Weight | 0.572 kg (1.26 lb) |