

AIM-VSD

Docking Station Series for AIM-65 Industrial-Grade Tablet



Features

- 9 ~ 32V wide input voltage range
- VESA (75 x 75 mm)-compliant docking stations
- -10 ~ 50 °C (14 ~ 122 °F) operating temperature
- Reliable docking connector for office applications

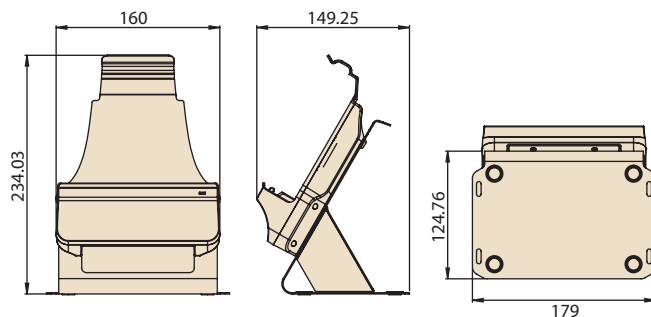
Specifications

		Desk Docking Station	VESA Advanced Docking Station	VESA Docking Station
I/O		2 x USB 3.0/2.0 1 x RS-232 COM 1 x Gigabit LAN 1 x Power jack	2 x USB 3.0 1 x RS-232 COM 1 x Gigabit LAN 1 x Power jack	2 x USB 2.0 1 x Power jack
	Stand	SECC steel	N/A	N/A
Power	Input Voltage	9 ~ 32V/19V	9 ~ 32V	19V
Mechanical	Dimensions (W x D x H)	234 x 160 x 149.3 mm (9.21 x 6.29 x 5.87")	196 x 76.9 x 212.75 mm (7.71 x 3.02 x 8.37")	196 x 76.9 x 212.75 mm (7.71 x 3.02 x 8.37")
	Weight	0.736 kg (1.62 lb)	0.282 kg (0.62 lb)	0.28 kg (0.61 lb)
Environment	Operating Temperature	-10 ~ 50 °C (14 ~ 122 °F)	-10 ~ 50 °C (14 ~ 122 °F)	-10 ~ 50 °C (14 ~ 122 °F)
	Storage Temperature	-20 ~ 70 °C (-4 ~ 158 °F)	-20 ~ 70 °C (-4 ~ 158 °F)	-20 ~ 70 °C (-4 ~ 158 °F)
	Safety	UL, CB, LVD, CCC	UL, CB, LVD, CCC	UL, CB, LVD, CCC
	Certifications	CE, FCC, CCC	CE, FCC, CCC	CE, FCC, CCC

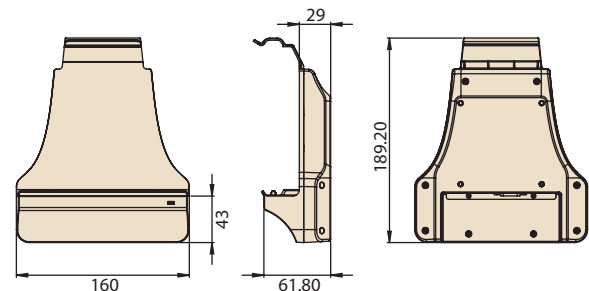
Dimensions

Unit: mm

Desk Docking Station



VESA Advanced/VESA Docking Station

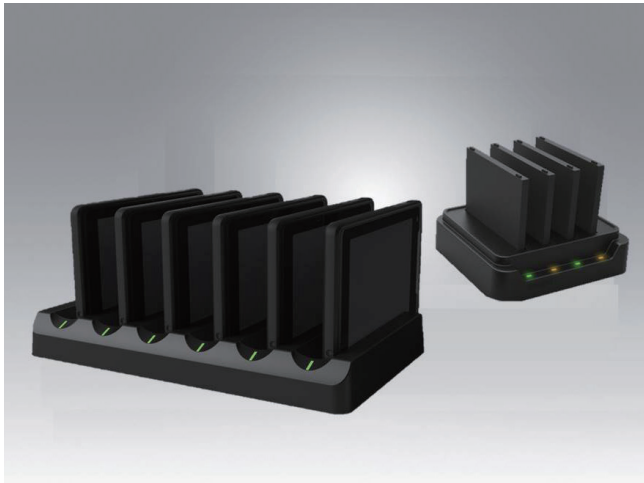


Ordering Information

Part Number	Description
TBU	Desk docking station for AIM
TBU	VESA advanced docking station for AIM
TBU	VESA docking station

AIM-MCS

Multi-Bay Charging Stations for AIM



Features

- Can charge up to 6 tablets/4 batteries simultaneously
- Overcurrent and overvoltage protection provided
- Rapid single-handed docking and undocking
- LED indicators for monitoring charging status

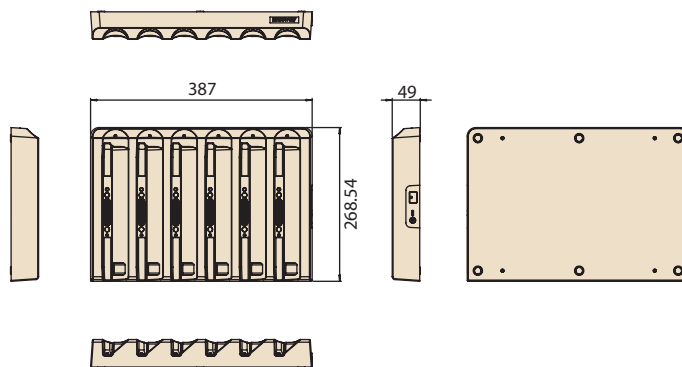
Specifications

		Multi-Tablet Charging Station	Multi-Battery Charging Station
Capacity	Number of Bays	6	4
	Charging Current	2A	2.5A
Power	Charging Voltage	9V	4.35V
	Input Voltage	19V	19V
LED Indicators		Green: Full Amber: Charging Red: Error	Green: Full Amber: Charging
Mechanical	Dimensions (W x D x H)	387 x 269 x 49 mm (15.23 x 10.59 x 1.92")	144 x 155 x 39 mm (5.66 x 6.10 x 1.53")
	Weight	1.98 kg (4.36 lb)	0.48 kg (1.05 lb)
Environment	Operating Temperature	0 ~ 40 °C (32 ~ 104 °F)	0 ~ 40 °C (32 ~ 104 °F)
	Storage Temperature	-10 ~ 50 °C (14 ~ 122 °F)	-10 ~ 50 °C (14 ~ 122 °F)
	Safety	UL, CB, LVD, CCC, RCM	UL, CB, LVD, CCC, RCM
	Certifications	CE, FCC, CCC, RCM, BSMI	CE, FCC, CCC, RCM, BSMI

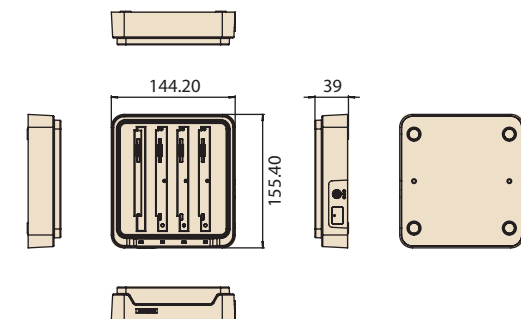
Dimensions

Unit: mm

Multi-Tablet Charging Station



Multi-Battery Charging Station



Ordering Information

Part Number	Description
TBU	Multi-tablet charging station for AIM
TBU	Multi-battery charging station for AIM

AIM-65 Extensions and Accessories

Extension Modules

**Barcode Scanner
(20 degrees)**



**Barcode Scanner
(70 degrees)**



LAN + COM Module



UHF RFID Reader



Part Number	AIM-EXT0-0040	AIM-EXT0-0041	AIM-EXT0-0046	AIM-EXT0-0047
Color	Black	Black	Black	Black
Dimensions	130.2 x 38.7 x 27.8 mm	130.2 x 38.7 x 32 mm	130.2 x 70 x 29 mm	130.2 x 70 x 45 mm
Weight	0.042 kg (0.092 lb)	0.042 kg (0.092 lb)	0.078 kg (0.171 lb)	0.08 kg (0.176 lb)

Accessories

Hand Strap



Shoulder Strap



Holster



Active Stylus



**Battery with
Meter**



Part Number	AIM-SRP0-0000	AIM-SRP0-0001	TBU	AIM-STL0-0011	AIM-BAT-8
Color	Black	Black	Black	Black	Black
Dimensions	240 x 20 mm (9.44 x 0.78")	380 x 135 x 20 mm (14.96 x 5.31 x 0.78")	250 x 150 x 30 mm (9.84 x 5.9 x 1.18")	140 x 9.7 mm (5.51 x 0.38")	98 x 84.5 x 6.5 mm (3.85 x 3.32 x 0.25")
Weight	0.022 kg (0.048 lb)	0.05 kg (0.11 lb)	0.5 kg (1.1 lb)	0.02 kg (0.044 lb)	0.104 kg (0.229 lb)

Docking Station

Desk Docking Station



Part Number	AIM-SDD7-0000
Color	Black
Dimensions	131.5 x 128.5 x 107.9 mm (5.17 x 5.05 x 4.24")
Weight	0.572 kg (1.26 lb)