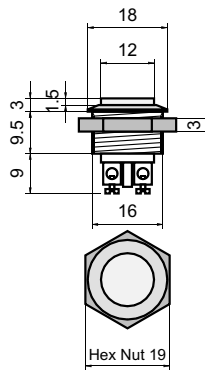


TRACKBALL ACCESSORIES

VANDALPROOF PUSHBUTTON SWITCHES

We offer IP65 sealed, stainless steel pushbutton switches which can be connected to our trackball modules as external "mouse button" switches.

- Sealing : IP65
- Material : stainless steel (brushed)
- Mechanical life : 1 mil. cycles min.
- Contacts : gold plated
- Travel : 1,3mm.
- Operating force : 4N typ.
- Initial contact resistance : 50mOhms max.
- Operating temperature : -20°C to +60°C



Order info

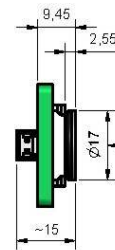
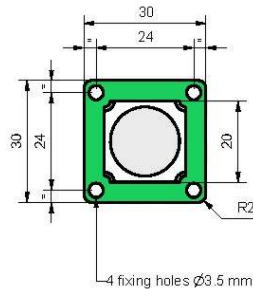
Pushbutton switch	AV0630D940
-------------------	-------------------

VANDALPROOF SHORT TRAVEL SWITCHES

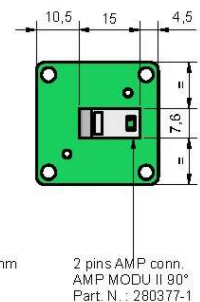
We offer IP68 sealed, stainless steel short travel switches as 1 key or as 3-key assembly.

- Sealing : IP68
- Material : stainless steel (brushed)
- Mechanical life : 3 mil. cycles min.
- Contacts : stainl. steel dome on gold
- Travel : 0,5mm.
- Operating force : 4N typ.
- Initial contact resistance : 50mOhms max.
- Operating temperature : -20°C to +60°C
- Proposed panel thickness : 2 mm

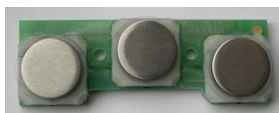
1 key assembly



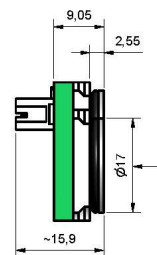
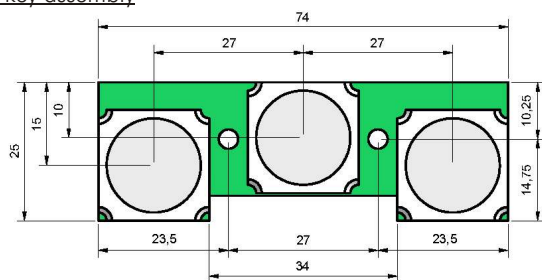
Stainless Steel key ϕ 17 mm
Cut-out ϕ 17.5 mm



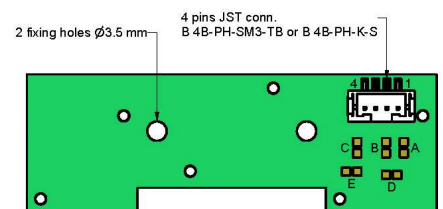
2 pins AMP conn.
AMP MODU II 90°
Part. N. : 280377-1



3 key assembly



3 Stainless Steel keys ϕ 17 mm
Cut-out ϕ 17.5 mm

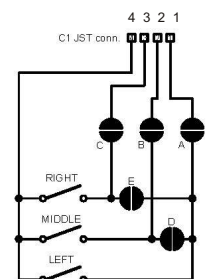


4 pins JST conn.
B 4B-PH-SM3-TB or B 4B-PH-K-S

Order info

1 key assembly	AV1681
3 key assembly	AV3681

Standard settings :
solderlinks A + B + C closed.



TRACKBALL ACCESSORIES

ANTI-VANDAL BACKPLATE

This steel backplate can be used with the 25 mm and 38 mm trackball modules (GK25, GS25, GK38 & GS38) and will limit the hostile impacts on the top of the ball to an acceptable level and protect shafts, bearings and other components of the unit. Typical applications are in public information kiosks or consoles. The components in this kit have been selected in a way that the kit can be mounted on all existing panels.

Backplate for 25 mm trackball



Standard components of the I-25AVK Anti-Vandal kit:

- 1 x Backplate,
- 2 x Lock Washers,
- 2 x Hexagon Spacers,
- 2 x M3 nuts

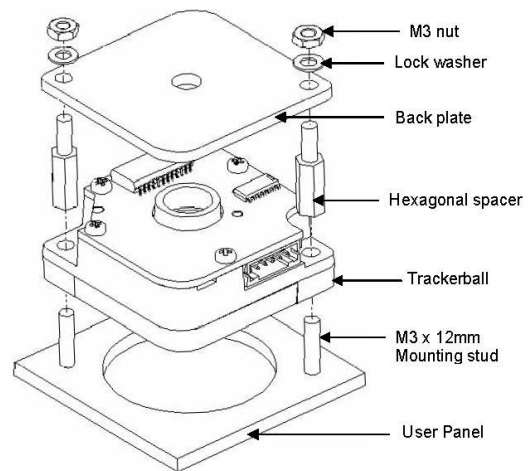
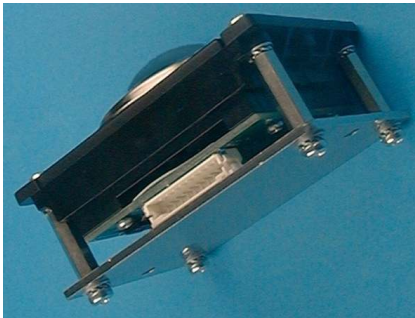


Figure.1 shows an exploded view of the parts supplied with the GK25 anti-vandal kit and highlights the order in which they are mounted in the user panel. The GK25 anti-vandal kit is designed for use in conjunction with 2 off M3 x 12mm mounting studs fitted to the underside of the user panel.

Fig. 1 : assembly procedure

Backplate for 38 mm trackball



Standard components of the AP38-1 Anti-Vandal kit:

- 1 x Backplate,
- 8 x Washers,
- 8 x Lock Washers,
- 4 x Hexagon Spacers,
- 4 x Screw M3x10.

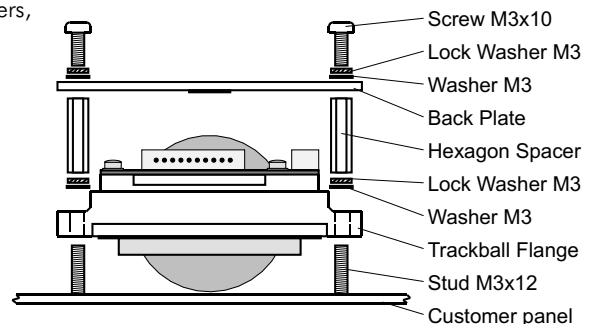


Figure.1 shows the parts supplied with the GK38 anti-vandal kit and highlights the order in which they are mounted in the user panel. The GK38 anti-vandal kit is designed for use in conjunction with 4 off M3 x 10mm mounting studs fitted to the underside of the user panel.

Fig. 1 : assembly procedure

Ordering info

Backplate for 25mm trackball	I-25AVK
Backplate for 38mm trackball	AP38-1

The company reserves the right to alter without prior knowledge the specification or design of any standard product or service.