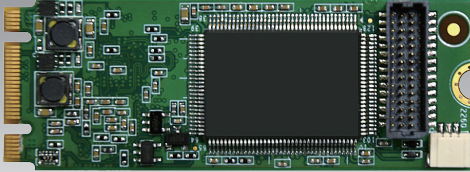


DVP-7011MHE

1-ch Full HD H.264 M.2 Video Capture Card with SDK

NEW



Features

- 1 channel HDMI/DVI-D/DVI-A/YPbPr channel video inputs with H.264 software compression
- 30/25 fps (NTSC/PAL) at up to full HD resolution for recording and display
- PCIe M.2 (B/M) host interface
- Windows/Linux OS supported

FCC CE 

Introduction

DVP-7011MHE is a PCIe M.2, software compression video capture card with 1 video and 1 audio inputs. DVP-7011MHE supports H.264 compression format at up to full HD resolution at real-time frame rate (30/25fps). With an easy-to-use software development kit (SDK), DVP-7011MHE is an ideal solution for various video capture applications.

Specifications

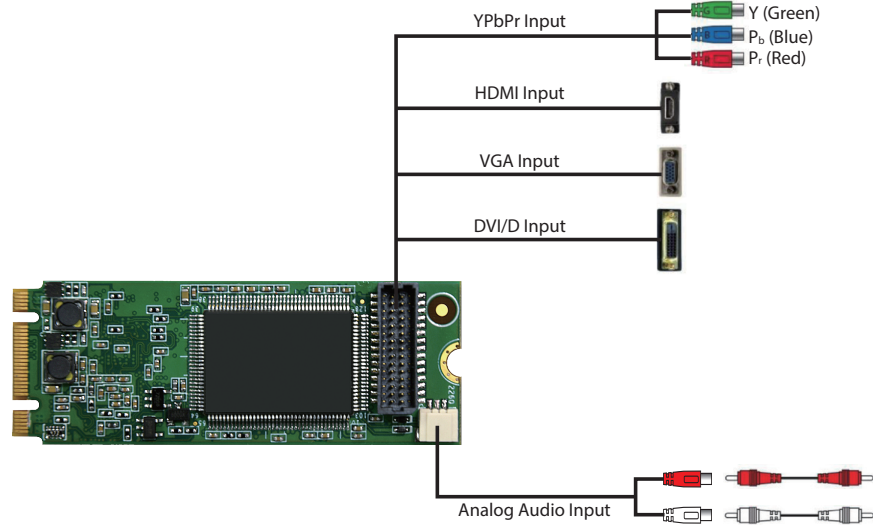
Video	Video Standard	NTSC/PAL
	Video Input	1 x HDMI/DVI-D/DVI-A/YPbPr
	Compression	S/W H.264
	Max. Resolution / FPS	1920 x 1080 @ 60/50 FPS (Input) 1920 x 1080 @ 30/25 FPS (Output)
	RAW Data Format	YV12/NV12/YUY2/RGB24/RGB32
Audio	Audio Input	HDMI Embedded Audio/ Audio L/R
	Format	Stereo / 16-bit / 32000 ~ 48000Hz
System Requirements	CPU (Display)	Intel® Core™2 Duo E2200 2.2 GHz
	CPU (Recording)	Intel® Core™2 Quad Q9400 2.6 GHz
	Memory	2 GB
	VGA	1024 x 768, DirectX 9.0c
	Operating System	Windows XP/XPe/Vista/7/8/8.1/10; Linux 2.6.14 or higher; 32/64 bits
Physical Characteristics	Host Interface	PCIe M.2 (B/M)
	Operating Temperature	-20 ~ 70 °C (-4 ~ 158 °F)
	Storing Temperature	-40 ~ 85 °C (-40 ~ 185 °F)
	Dimension (L x H)	60 x 22 mm (2.3" x 0.8")
	Certification	CE/FCC

Versatile SDK Support (For Windows Only)

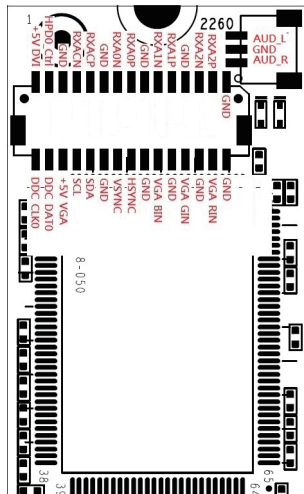
Advantech provides software development kit (SDK), a set of development tools that allows a software engineer to integrate video capture modules into different types of system. Functions include video recording, playback and instant preview.

- Software Library
- SDK Manual
- Sample Program

Connection Diagram



Pin Define



Ordering Information

Part Number	Description
DVP-7011MHE	1-ch Full HD H.264 PCIe M.2 Video Capture Card with SDK
XMSE1-MC-HDV-CB	HDMI/VGA Cable (optional)
XKU0-A56-A072-V126	HDMI/VGA Cable (optional)