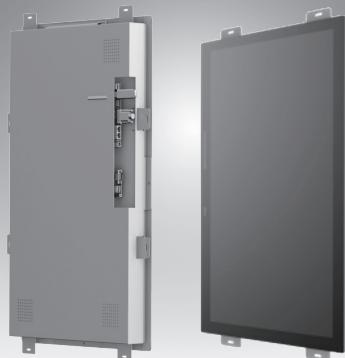


UTC-232

31.5" Open-frame panel PC UTC-232F with Intel® Core™ i5-6300U UTC-232G with Intel® Pentium® N4200

NEW



Features

- Available for embedded into kiosk chassis and wall mount type
- One-piece and fan-less design
- Rich screen size and core from UTC series
- Rich IO for extensional peripherals connection
- Built-in Intel® Core™ i5-6300U (UTC-232F)
- Built-in Intel® Pentium® N4200 (UTC-232G)
- Providing Natural Viewing Experience with 31.5" Display
- Could be take as monitor only

CE FCC

Introduction

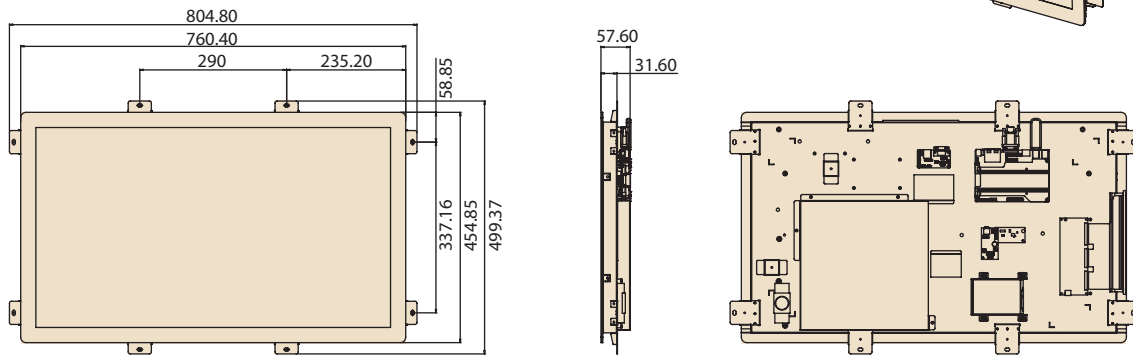
UTC-232 features one-piece solution and fan-less design that easy to embedded into kiosk chassis or wall mount type. Continuation of the advantage from UTC series, It is easy to integrate key peripherals and display systems for diversified self-service and interactive signage deploy in different application areas. The systems deliver updated information with well-designed interactive interfaces, fully ensure relevant content and targeted promotions are delivered.

Specifications

Processor System	CPU	Intel® Core™ i5-6300U (UTC-232F) Intel® Core™ i3-6100U (Available)*	Intel® Pentium N4200 (UTC-232G) Intel® Atom E3950 (Available)*
	Base Frequency	2.4GHz (Dual-Core)	1.1 GHz (N4200/Quad-Core) 1.6 GHz (E3950/Quad-Core)
	Cache	L3 Cache 3MB	L2 Cache 2MB
	Memory	2 x SO DIMM DDR3L 1600MHz up to 16 GB	1 x SO-DIMM DDR3L 1867 MHz
	Storage	1 x 2.5 internal SATA HDD bay	1 x 2.5 internal SATA HDD bay
	Network (LAN)	2 x Gigabit Ethernet ports (Supports Wake on LAN)	
	I/O ports	2 x RS-232 COM (RS-422/485)* 2 x USB 2.0 / 2 x USB 3.0 2 x Gigabit Ethernet (RJ-45) 1 x VGA 1 x HDMI Audio Line-out x 1, Mic-in x 1	2 x RS-232 COM (RS-422/485)* 2 x USB 2.0 / 2 x USB 3.0 2 x Gigabit Ethernet (RJ-45) 1 x VGA 1 x HDMI Audio Line-out x 1, Mic-in x 1
	Stereo Speaker	10W x 2 (optional)	
	Bus expansion	Full-size MiniPCIe/mSATA	
	Dimensions (W x H x D)	760.80 x 455.25 x 57.6(mm)	
Weight	15kg		
OS Support	WES 7P 32bit WES 7E 32bit Windows Pro Embedded 7 SP1 64bit WES8 64bit Windows Embedded 8.1 Industry Pro 64bit Win 10 IoT Enterprise Linux Ubuntu 16.04	Win 10 IoT Enterprise Android 6.0 Linux Ubuntu 17.04	
Environmental Specifications	Operating Temperature	0 ~ 40° C (32 ~ 104° F)	
	Relative Humidity	10 ~ 95% @ 40° C non-condensing	
	Vibration	0.5G	
	Shock	5G peak acceleration (11 msec. duration)	
	EMC/ Safety	CE, FCC	
Power Supply	Input Rating	12 V/7 A (84 W ITE Adapter)	
	Power consumption	Typical 45W Max. 65W	
LCD Display	Size/Type	31.5" TFT LCD with LED backlight	
	Max. Resolution	1920 x 1080	
	Max. Color	16.7M	
	Pixel Pitch (um)	363.75 x 363.75	
	Brightness (cd/m ²)	300 (Optional 400)	
View Angle	178°/178°		
Touch Screen Option (PE/RE/GE)	Type	Projected Capacitive. Glass Panel	
	Light Transmission	80% ± 2% / 80% ± 5% / 90%	
	Controller	USB Interface / USB Interface / -	

Dimensions

Unit: mm



Ordering Information

Part No.	Description
UTC-232FP-AT00E	31.5" P T/S, Core i5 6300U, 4GB RAM, Open-frame
UTC-232GP-AT00E	31.5" P T/S, Pentium N4200, 4GB RAM, Open-frame