

# 10.1" Capacitive Touch PC



- Edge-to-edge glass IP65 rated
- 10-finger multitouch touch screen Panel
- Intel Celeron J1900 CPU, Intel HD Graphics
- 4GB RAM (expandable to 8GB)
- 64GByte SSD included
- 32Bit and 64Bit support, Linux and Win 7/8/10 support
- Pre-installed Linux Ubuntu OS
- Consumer and industrial interfaces
- Integrated Wi-Fi (Intel 533AN), 2x10/100/1000 Mbps network ports
- Audio amplifier with 2x2w speakers
- VESA 100 bracket for mounting, metal stand included
- Customization available upon request



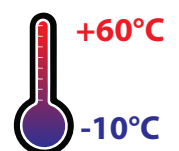
faytech's innovative IP65 Front Capacitive Touchscreen PC with its silent fanless operation, reliability, and fine craftsmanship, stands out from the competition.

The Touchscreen PC features a sleek modern appearance. Flat edge to edge glass with a patented silicone rubberized seal ensures the front panel is water proof and dust proof meeting the requirements of IP65 standards. The back has a sturdy aluminum case manufactured out of a continuous casting mold with stable VESA-100 fixation bolts offering numerous industrial and consumer connectors like four serial ports, eight GPIOs or USB 3.0.

The heart of the Touchscreen PC is faytech's industrial fay-002 mainboard with the powerful but fanlessly cooled Intel Celeron J1900 QuadCore processor with up to 2.42GHz Core speed, equipped with 4GByte RAM, 64G SSD and Intel's HD Graphic chipset, supporting FullHD, DirectX 11.1 and OpenGL 4.0.

The capacitive touch panel is completely inhouse developed by faytech's renowned engineers. Anti Glare chemically etched surface treatment, 10-finger multitouch and unlimited touches without failure on the touch panel are class leading features. Behind that touch panel are faytech's A+ panels, guaranteeing that there is not even a single sub-pixel defect. As an option, customers can chose optical bonding and high brightness panels to further improve the visual impression of the product.

faytech's industrial touch PCs ensure the performance and stability required for long term operation in today's demanding manufacturing, commercial, and retail environments.



<b>Product name</b>	<b>10.1" Capacitive Touch PC</b>
<b>Article code / EAN number</b>	FT101J1900W4G64GCAP / 6920734010561

Anti-glare LCD Panel	
IP Rated Front Panel	IP65
Screen diagonal (Inch/cm):	10.1/25.65
Display active screen size:	21.70×13.60
Aspect ratio:	16:10
Physical resolution:	1280×800
Maximum showable resolution (TPCs: external):	1920×1200
Colours displayed:	262K
Brightness (cd/m <sup>2</sup> ):	350
Contrast:	800:1
Typical reaction time Tr/ Tf (ms):	10/15
Visual Angle horizontal/vertical (°):	170/170
Backlight / Backlight Lifetime (hours):	LED / 20,000

Operation / Mechanical	
Operating Temperature (°C)	-10 ~ +60
Humidity Range (RH)	10%-90%
Net weight (kg)	2.00
Gross weight (kg)	2.90 (incl. cartontage)
Housing material	Aluminum
Housing (cm) LxWxH	27.60 x 19.20 x 5.00
Mounting	VESA 100

Internal Connectors	
1x SO-DIMM Slot, max. 8GB, DDR3L-1333 Single channel memory	
1x 12V DC power connector (2-pin); 1x 4-pin SATA power connector	
2x S-ATA 3GB/s ports; 1x 5-pin LCD power connector	
1x VGA pin header; 1x SIM-card-Header (connected to MiniPCIe); 1x LVDS connector	
1x S/PDIF output pin header	
1x Line-Out / Mic-In audio pin header	
1x 4-pin (2x2W) audio amplifier connector	
1x PS/2 keyboard/mouse connector (6-pin)	
1x USB 2.0 header supports additional 4x USB 2.0 ports	
3x RS232/RS485 COM connectors, switchable between RS232/RS485 in BIOS	
1x 8-bit Digital I/O interface	
1x Chassis Fan connector	

PC System	
CPU	Intel® Celeron™ QuadCore J1900
Chipset	Intel® E3800
Graphic GPU	Intel® HD Graphics
Audio	Realtek 887 8 -channel high definition audio codec, Audio Amplifier EUA 2012A
Memory	1x 4GB DDR3L SODimm (expandable to 8GB)
Storage	faytech Industrial 64GB SSD
W-LAN	2x Realtek PCIe GB LAN 8111G
Driver Support	Win7/8/10; Linux; 32Bit/64Bit
Preinstalled OS	Linux Ubuntu

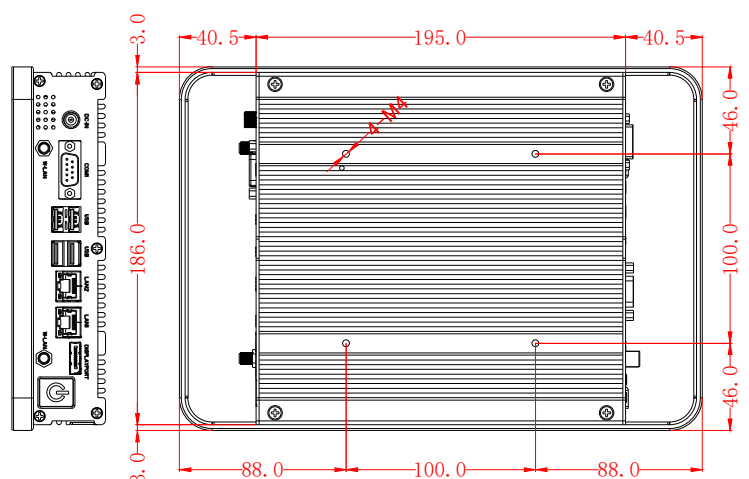
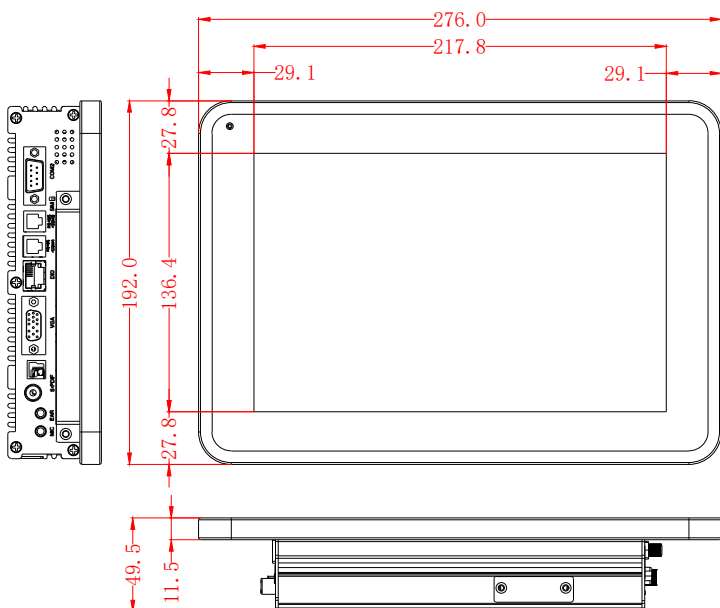
Touch Panel	
Touch Technology	Projected Capacitive 10-Point Multitouch
Touch Connector	USB
Touch Panel Drivers	Windows; Linux; Mac; Android
Touch Life (Contacts)	Unlimited
Surface Hardness	7H

Power	
Power Indicator	Green LED
Power Supply	100-240V ACDC active switching; 12V DC-Out
Working Power (V)	12
Power Consumption (W)	18
Stand-By Consumption (W)	<0.5

External Connectors	
1x Display port; 1x VGA-out (from internal header)	
1x USB 3.0, 3x USB 2.0 ports	
2x COM port Full-PIN (RS232/485; 5V/12V)	
2x COM port 3-PIN (RX, TX, GND; RS232/485 switchable)	
2x 10/100/1000Mbit RJ45 Ports; 2x W-LAN connector	
S/PDIF-Out (1x Cinch, 1x Torx)	
MIC-In, EAR-Out; 8x In/Out GPIO as RJ45	
1x 12V DC-In (screwable)	
1x 2.5" module slot, changeable SSD included	

Expansion slots	
2x Mini Card slots with PCIe and USB interface (2x Full Height/Half height changeable)	
1x PCIeX1 Straddle connector	

Included in the Delivery	
Power Supply (see Power section)	
Driver DVD	
Short Installation Manual	
Standard Stand	
W-LAN Antenna	



## Corporate Headquarters

**faytech Tech. Co., Ltd.**  
 Building F., Hongmen Tech. Zone,  
 Jihua Rd., Shenzhen, China 518129

[support@faytech.com](mailto:support@faytech.com)  
[contact@faytech.com](mailto:contact@faytech.com)  
[www.faytech.com](http://www.faytech.com)

China: +86 755 89580612  
 Germany: +49 551 82098660  
 USA: +1 646 205 3214