

AIM-65

8" Industrial-Grade Tablet with Intel® Atom™ Processor



Features

- Intel® Atom™ processor for Windows 10 IoT and Android 6.0 operating systems
- 8" WUXGA full HD display with scratch-resistant Corning® Gorilla® Glass 3 and multi-touch PCAP control
- WLAN, BT, NFC, 3G/4G LTE technology for seamless communications
- Optional extension modules such as a 1D/2D barcode scanner and LAN + COM module
- Optional accessories include an active stylus pen, hand strap, and shoulder strap, as well as vehicle, office, desk, and VESA docking stations
- Additional modules and accessories can be customized according to application requirements

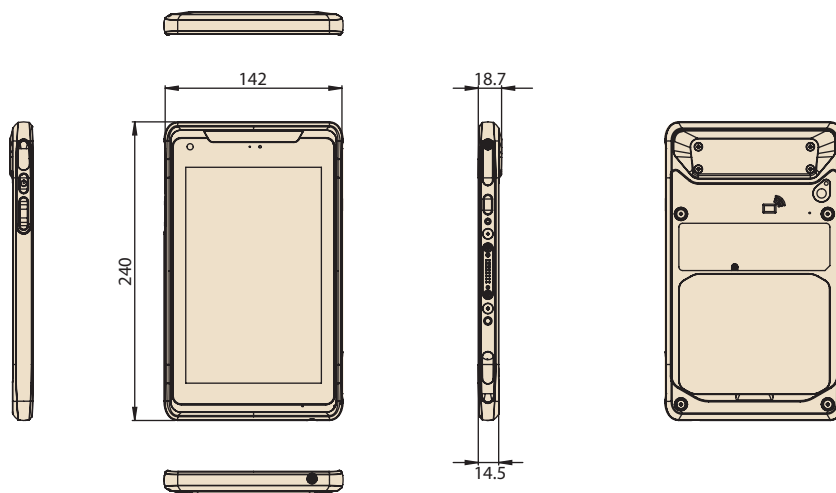


Specifications

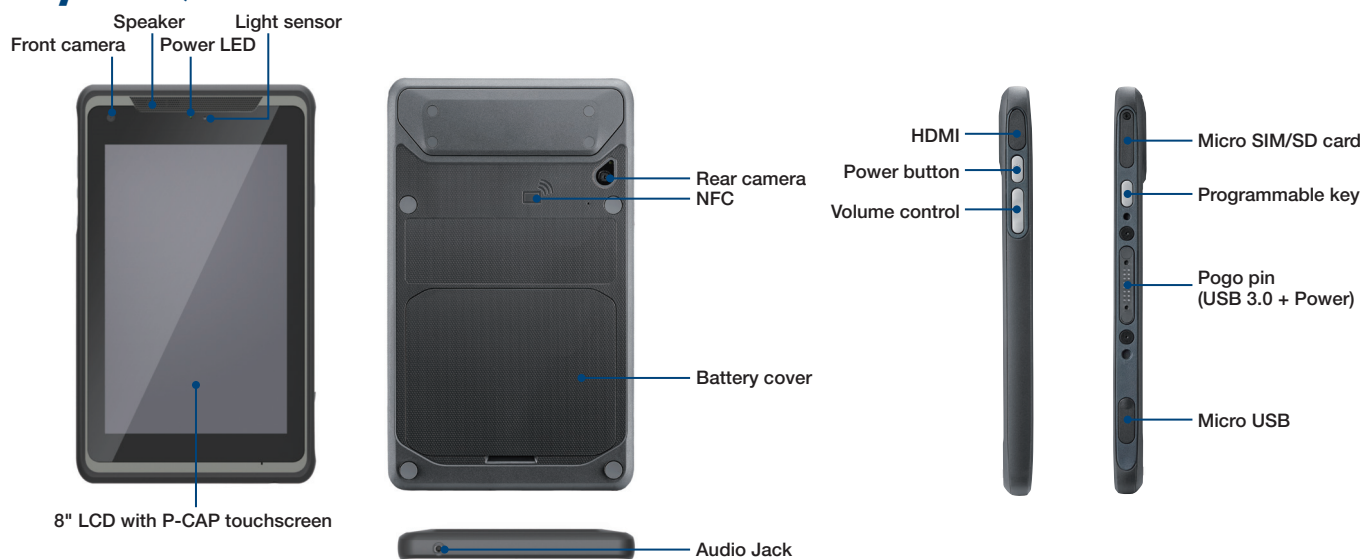
System	Processor	Intel® Atom™ quad-core x5-Z8350 (1.44 GHz)
	Memory	2/4 GB (default 2 GB)
	OS	Windows 10 IoT Enterprise, Android 6.0
Storage	eMMC	32/64 GB (default 32 GB)
	SD Card	1 x Micro SD
Display	Type	8" IPS LCD
	Resolution	WUXGA 1200 x 1920
	Brightness	400 cd/m ²
Touchscreen	Type	10-point multi-touch capacitive
	Construction	Directly bonded Corning® Gorilla® Glass 3
Multimedia	Speaker	1 x Internal speaker (1 W)
	Microphone	1 x Internal microphone for noise suppression
Camera	Front	2-Megapixel camera with fixed focus
	Rear	5-Megapixel camera with auto focus and LED flash
Sensors		Ambient light sensor, e-compass, g-sensor, gyroscope
I/O	Standard I/O	1 x Micro HDMI 1 x Micro USB 2.0 (host and charging) 1 x Micro SIM
	Extended I/O	1 x AIM extension 14-pin pogo connector: 1 x USB 2.0, 1 x 2-wire UART, 5V/1A power 1 x AIM dock 16-pin pogo connector: 1 x USB 3.0, 9V power
	Buttons	1 x Power 2 x Volume control 1 x Hotkey (default is barcode scanner trigger)
	LED	1 x Power/battery status indicator
	Wireless Communication	WLAN/Bluetooth
	NFC	13.56 MHz, compatible with ISO 15693, ISO 14443A, ISO 14443B, FeliCa
	WWAN	4G LTE multi-device broadband for US, EU
GNSS	Satellite System (Optional)	GPS, GLONASS
Power	Input Voltage	Micro USB: 5V/3A Dock pogo: 9V/2A
	Battery	Swappable battery: 1S2P 3.8V 18.6W
Mechanical	Dimensions (W x D x H)	142 x 240 x 14.5 mm (5.59 x 9.44 x 0.57 in)
	Weight	0.6 kg (1.32 lb)
Environment	Operating Temperature	-10 ~ 50 °C (14 ~ 122 °F)
	Storage Temperature	-20 ~ 60 °C (-4 ~ 140 °F)
	IP Rating	IP65
	Shock	Operating: SAE J1455; Non-operating: IEC 60721-3-5 5M3 compliant
	Vibration	SAE J1455
	Drop Tested	Up to 4 foot (120 cm) onto concrete
	Safety/EMC	UL, CB, LVD + Energy Star 6.1, CE, FCC, IC, VCCI, RCM, CCC, BSMI
Certifications	RED, FCC ID, IC, TELEC, NCC, SRRC, RCM, PTCRB, AT&T, SOTI	

Dimensions

Unit: mm



System I/O



Ordering Information

Part Number	P/N Description	Memory	Storage	NFC	Wi-Fi/BT	Configurations					OS
						LTE	GPS	F-Cam	R-Cam		
AIM-65AT-20101000	8I/2G/32G/WIN10/bgn	2 GB	32 GB	Yes	Yes	-	-	2 MP	5 MP	Win 10 IoT Enterprise	
AIM-65AT-20108000	8I/2G/32G/WIN10/bgn/PTCRB/GPS	2 GB	32 GB	Yes	Yes	Yes (NA PTCRB)	Yes	2 MP	5 MP	Win 10 IoT Enterprise	
AIM-65AT-20104000	8I/2G/32G/WIN10/bgn/EU/GPS	2 GB	32 GB	Yes	Yes	Yes (EU)	Yes	2 MP	5 MP	Win 10 IoT Enterprise	
AIM-65AT-21101000	8I/2G/32G/A6.0/bgn	2 GB	32 GB	Yes	Yes	-	-	2 MP	5 MP	Android 6.0	
AIM-65AT-21108000	8I/2G/32G/A6.0/bgn/PTCRB/GPS	2 GB	32 GB	Yes	Yes	Yes (NA PTCRB)	Yes	2 MP	5 MP	Android 6.0	
AIM-65AT-21104000	8I/2G/32G/A6.0/bgn/EU/GPS	2 GB	32 GB	Yes	Yes	Yes (EU)	Yes	2 MP	5 MP	Android 6.0	
AIM-65AT-22301000	8I/4G/64G/WIN10/bgn	4 GB	64 GB	Yes	Yes	-	-	2 MP	5 MP	Win 10 IoT Enterprise	
AIM-65AT-22307000	8I/4G/64G/WIN10/ac	4 GB	64 GB	Yes	Yes (Wi-Fi AC)	-	-	2 MP	5 MP	Win 10 IoT Enterprise	
AIM-65AT-22308000	8I/4G/64G/WIN10/bgn/PTCRB/GPS	4 GB	64 GB	Yes	Yes	Yes (NA PTCRB)	Yes	2 MP	5 MP	Win 10 IoT Enterprise	
AIM-65AT-22304000	8I/4G/64G/WIN10/bgn/EU/GPS	4 GB	64 GB	Yes	Yes	Yes (EU)	Yes	2 MP	5 MP	Win 10 IoT Enterprise	
AIM-65AT-23301000	8I/4G/64G/A6.0/bgn	4 GB	64 GB	Yes	Yes	-	-	2 MP	5 MP	Android 6.0	
AIM-65AT-23307000	8I/4G/64G/A6.0/ac	4 GB	64 GB	Yes	Yes (Wi-Fi AC)	-	-	2 MP	5 MP	Android 6.0	
AIM-65AT-23308000	8I/4G/64G/A6.0/bgn/PTCRB/GPS	4 GB	64 GB	Yes	Yes	Yes (NA PTCRB)	Yes	2 MP	5 MP	Android 6.0	
AIM-65AT-23304000	8I/4G/64G/A6.0/bgn/EU/GPS	4 GB	64 GB	Yes	Yes	Yes (EU)	Yes	2 MP	5 MP	Android 6.0	

Optional Accessories

Part Number	Description
1700001524	Power cord (USA) UL 3P 10A 125V 183 cm
1700008921	Power cord (Japan) PSE 3P 7A 125V 183 cm
1700019146	Power cord (China) CCC 3P 10A 250V 183 cm
1700018553	Power cord (NZ/AU) SAA 3P 10A 250V 183 cm
170203180A	Power cord (UK) BSI 3P 10A 250V 183 cm
170203183C	Power cord (EU) 3P 2.5A 250V 183 cm

Note: Power cords are suitable for AIM-65, AIM-VSD, and AIM-MCS.

Packing List

Description
1 x AIM-65
1 x 3.8V/5060mAh lithium polymer battery
1 x AC/DC adaptor
1 x power cord

AIM-VEH7

Vehicle Docking Station for AIM-65 Industrial-Grade Tablet



Features

- Compatible with 9 ~ 32 V_{DC} in-vehicle power supply
- Rapid single-handed docking and undocking
- Anti-theft locking mechanism
- External GPS antenna
- Programmable function keys
- High-density connector
- Compliant with SAE J1455 for vibration and shock tolerance
- Safe and reliable design for vehicle applications

CE FCC CCC

Specifications

		Fully Configured Unit	Charging Dock Only
I/O	High-Density Connector	1 x CAN bus (supports raw CAN, J1939, OBD-II/ISO 15765) with configurable firmware	
		5 x Digital inputs	
		1 x Odometer (supports dry and wet contact) with configurable and switchable firmware (default wet contact)	
		2 x Digital outputs (supports speed pulse)	
		1 x RS-232 (4 wire)	
		1 x RS-232/485 (2 wire) (default RS-485, termination enabled)	
		1 x USB 2.0	
		1 x Power output 12V 1A	
GPS	Extended GPS	1 x External GPS antenna	-
Function Keys		5 x Programmable function keys	-
Key Lock		Anti-theft key lock (key can be removed)	-
Power	Input Voltage	Supports 12/24 V vehicle power (9 ~ 32 V _{DC} input range)	
Mechanical	Dimensions (W x D x H)	196 x 76.9 x 212.75 mm (7.71 x 3.02 x 8.37 in)	
	Weight	0.5 kg (1.10 lb)	
Environment	Operating Temperature	-10 ~ 50 °C (14 ~ 122 °F); 0 ~ 40 °C (32 ~ 104 °F) when charging	
	Storage Temperature	-30 ~ 80 °C (-22 ~ 176 °F)	
	IP Rating	IP54	
	Vibration/Shock	SAE J1455	
	Safety	UL, CB, LVD, CCC	
	Vehicle Power Regulation	E-Mark, ISO7637-2	
	Certifications	CE, FCC, CCC	

Ordering Information

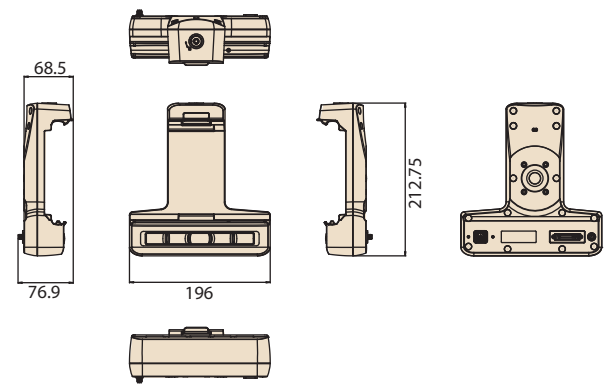
Part Number	Description
AIM-VEH7-0000	AIM vehicle docking station (full configuration)
AIM-VEH7-0010	AIM vehicle docking station (charging only)
1700026766-01	High-density cable
PWS-770-GPSAN00E	External GPS antenna
1700027666-01	Vehicle power cable (In-house engineer testing only)
1700027665-01	Vehicle power cable (vehicle battery)

Packing List

Description
1 x AIM-VHE7
1 x Vehicle power cable (vehicle battery)

Dimensions

Unit: mm



AIM-VSD

Docking Station Series for AIM-65 Industrial-Grade Tablet



Features

- 9 ~ 32 V wide input voltage range
- VESA (75 x 75 mm)-compliant docking stations
- -10 ~ 50 °C (14 ~122 °F) operating temperature
- Reliable docking connector for office applications

CE FCC

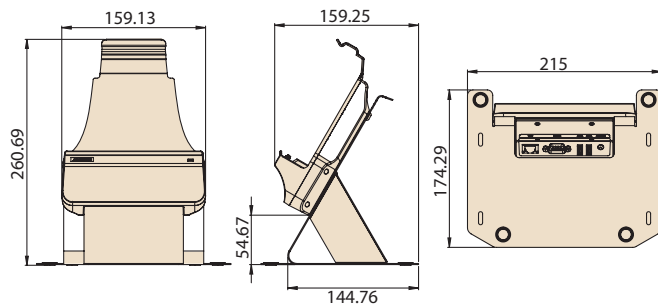
Specifications

		Office Advanced Docking Station	Office Docking Station	VESA Advanced Docking Station	VESA Docking Station with USB
I/O		2 x USB 3.0 1 x RS-232 COM 1 x Gigabit LAN 1 x Power jack	2 x USB 2.0 1 x Power jack	2 x USB 3.0 1 x RS-232 COM 1 x Gigabit LAN 1 x Power jack	2 x USB 2.0 1 x Power jack
Stand		SECC steel	SECC steel	-	-
Power	Input Voltage	9 ~ 32 V	19 V	9 ~ 32 V	19 V
Mechanical	Dimensions (W x D x H)	215 x 174.29 x 260.69 mm (8.5 x 6.9 x 10.3 in)	215 x 174.29 x 260.69 mm (8.5 x 6.9 x 10.3 in)	160 x 61.8 x 189.2 mm (6.3 x 2.4 x 7.4 in)	160 x 61.8 x 189.2 mm (6.3 x 2.4 x 7.4 in)
	Weight	0.75 kg (1.65 lb)	0.75 kg (1.65 lb)	0.282 kg (0.62 lb)	0.28 kg (0.61 lb)
Environment	Operating Temperature	-10 ~ 50 °C (14 ~122 °F)	-10 ~ 50 °C (14 ~122 °F)	-10 ~ 50 °C (14 ~122 °F)	-10 ~ 50 °C (14 ~122 °F)
	Storage Temperature	-20 ~ 70 °C (-4 ~ 158 °F)	-20 ~ 70 °C (-4 ~ 158 °F)	-20 ~ 70 °C (-4 ~ 158 °F)	-20 ~ 70 °C (-4 ~ 158 °F)
	Safety	UL, CB, LVD, CCC	UL, CB, LVD, CCC	UL, CB, LVD, CCC	UL, CB, LVD, CCC
	Certifications	CE, FCC, CCC	CE, FCC, CCC	CE, FCC, CCC	CE, FCC, CCC

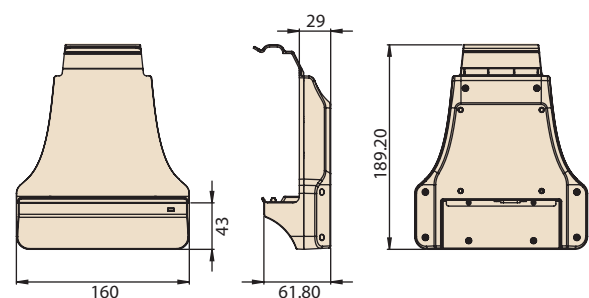
Dimensions

Unit: mm

Office Docking Station



VESA Advanced/VESA Docking Station



Ordering Information

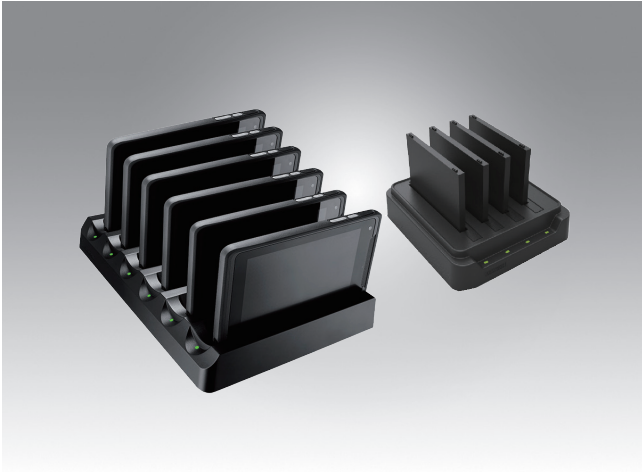
Part Number	Description
AIM-OFD0-0170	AIM 8 Office Docking Station (Full I/O Config)
AIM-OFD0-0171	AIM 8 Office Docking Station (USB)
AIM-VSD0-0170	AIM 8 VESA Advanced Dock (Full I/O Config)
AIM-VSD0-0171	AIM 8 VESA Dock with USB (USB)
AIM-STD0-0000	AIM 8 VESA Stand

Packing List

Description
1 x AIM VSD
1 x AC/DC adaptor

AIM-MCS

Multi-Bay Charging Stations for AIM



Features

- Can charge up to 6 tablets/4 batteries simultaneously
- Overcurrent and overvoltage protection provided
- Rapid single-handed docking and undocking
- LED indicators for monitoring charging status



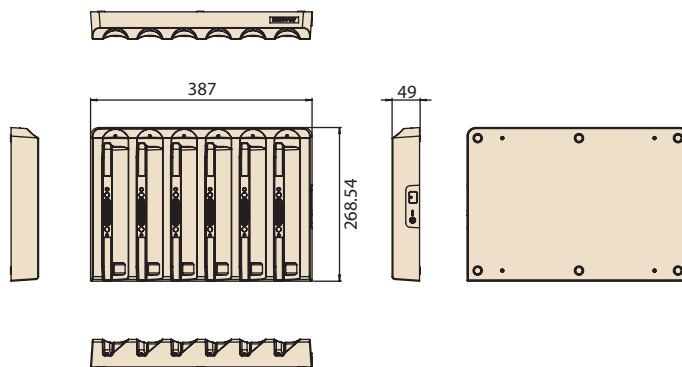
Specifications

		Multi-Tablet Charging Station	Multi-Battery Charging Station
Capacity	Number of Bays	6	4
	Charging Current	2A	2.5A
Power	Charging Voltage	9 V	4.35 V
	Input Voltage	19 V	19 V
	LED Indicators	Green: Full Amber: Charging Red: Error	Green: Full Amber: Charging Red: Error
Mechanical	Dimensions (W x D x H)	387 x 269 x 49 mm (15.23 x 10.59 x 1.92 in)	144 x 155 x 39 mm (5.66 x 6.10 x 1.53 in)
	Weight	1.98 kg (4.36 lb)	0.48 kg (1.05 lb)
	Operating Temperature	0 ~ 40 °C (32 ~ 104 °F)	0 ~ 40 °C (32 ~ 104 °F)
Environment	Storage Temperature	-10 ~ 50 °C (14 ~ 122 °F)	-10 ~ 50 °C (14 ~ 122 °F)
	Safety	UL, CB, LVD, CCC, RCM	UL, CB, LVD, CCC, RCM
	Certifications	CE, FCC, CCC, RCM, BSMI	CE, FCC, CCC, RCM, BSMI

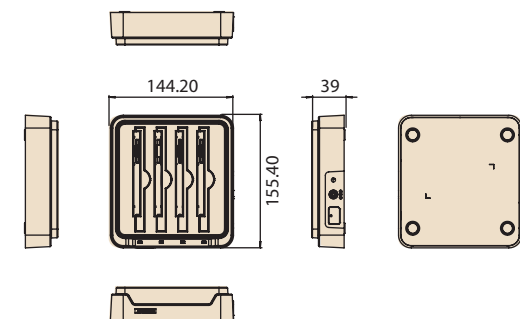
Dimensions

Unit: mm

Multi-Tablet Charging Station



Multi-Battery Charging Station



Ordering Information

Part Number	Description
AIM-CHG0-0150	Multi-tablet charging station for AIM
AIM-MBC0-0051	Multi-battery charging station for AIM

Packing List

Description
1 x AIM MCS
1 x AC/DC adaptor

AIM-65 Extensions and Accessories

Extension Modules

Barcode Scanner (20°)



Barcode Scanner (70°)



LAN + COM Module



UHF RFID Reader



Part Number	AIM-EXT0-0040	AIM-EXT0-0041	AIM-EXT0-0046	AIM-EXT0-0047
Color	Black	Black	Black	Black
Dimensions	130.2 x 38.7 x 27.8 mm (5.12 x 1.52 x 1.09 in)	130.2 x 38.7 x 32 mm (5.12 x 1.52 x 1.25 in)	130.2 x 70 x 29 mm (5.12 x 2.75 x 1.14 in)	130.2 x 63.6 x 65.9 mm (5.12 x 2.5 x 2.59 in)
Weight	0.042 kg (0.092 lb)	0.042 kg (0.092 lb)	0.078 kg (0.171 lb)	0.08 kg (0.176 lb)

Accessories

Hand Strap



Shoulder Strap



Holster



Active Stylus



Battery with Meter



Part Number	AIM-SRP0-0000	AIM-SRP0-0001	AIM-HOLO-0160	AIM-P704	AIM-BAT0-0252
Color	Black	Black	Black	Black	Black
Dimensions	240 x 20 mm (9.44 x 0.78 in)	380 x 135 x 20 mm (14.96 x 5.31 x 0.78 in)	250 x 150 x 30 mm (9.84 x 5.9 x 1.18 in)	140 x 9.7 mm (5.51 x 0.38 in)	98 x 84.5 x 6.5 mm (3.85 x 3.32 x 0.25 in)
Weight	0.022 kg (0.048 lb)	0.05 kg (0.11 lb)	0.23 kg (0.5 lb)	0.02 kg (0.044 lb)	0.104 kg (0.229 lb)

Docking Station

Desk Docking Station



Part Number	AIM-SDD7-0000
Color	Black
Dimensions	131.5 x 128.5 x 107.9 mm (5.17 x 5.05 x 4.24 in)
Weight	0.572 kg (1.26 lb)