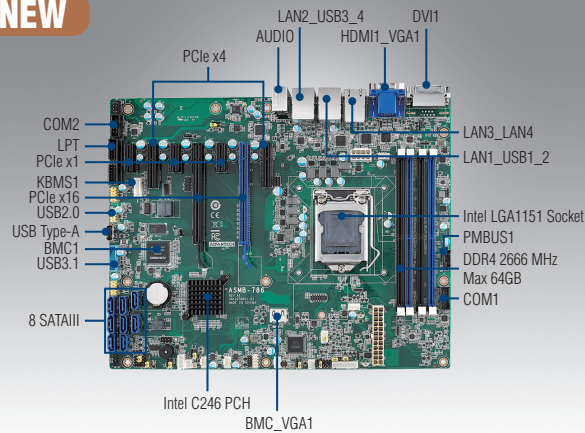


ASMB-786

LGA 1151 Intel® Xeon® E & 8th Generation Core™ ATX Server Board with 4 DDR4, 7 PCIe, 6 USB 3.1, 8 SATA3, Quad/Dual LANs, IPMI

NEW



Features

- LGA 1151 Intel® Xeon® E & 8th Generation Core™ i7/i5/i3 processors with C246 chipset
- DDR4 2666/2400/2133 MHz ECC/Non-ECC UDIMM up to 64 GB
- One Gen 3.0 PCIe x16 link (or two PCIe x16 slots with x8 link), two PCIe x4, and three PCIe x1 slots
- Triple displays - DVI-D, VGA and HDMI 2.0 ports
- Eight SATA3 ports and six USB 3.1 ports
- Rackmount optimized placement with positive air flow design
- 0 ~ 60° C ambient operating temperature range

Note: The OS support includes Windows 10 (64-bit) and Server 2016 (64-bit) that have been validated.

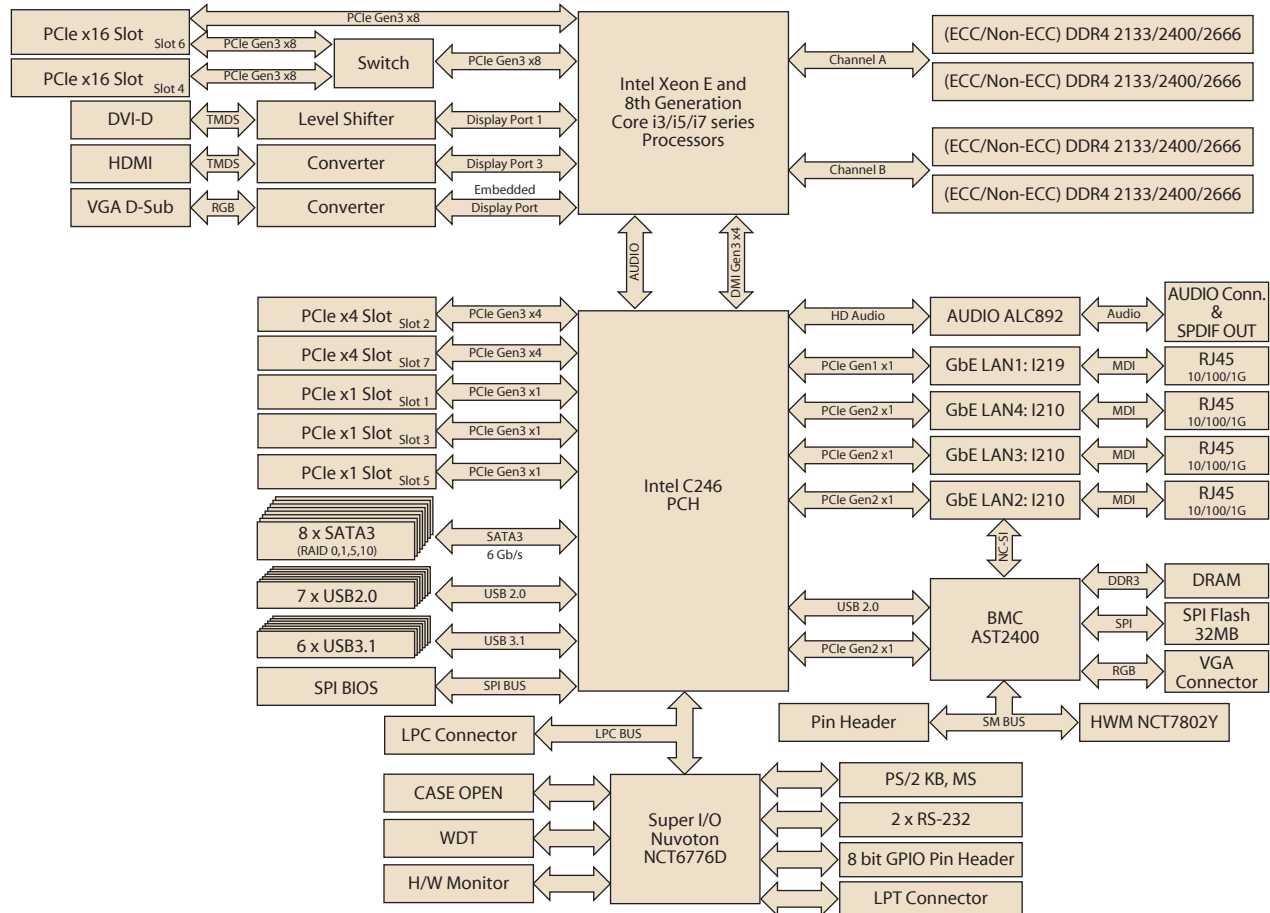
CE FCC

Specifications

Form Factor		ATX form factor	
Processor System	Socket	Intel LGA 1151	
	CPU type	Intel® Xeon® E and 8th Generation Core™ i3/i5/i7 series (TDP up to 95W)	
Core Logic	Chipset	Intel C246 chipset	
Memory	Total slots	4 (Dual Channel)	
	Max. capacity	64 GB	
	Memory type	DDR4 ECC/Non-ECC 2666/2400/2133 MHz UDIMM (288-pin)*	
	Memory size	4 GB, 8 GB, 16 GB	
Expansion Slots	Total PCI/PCI-X/PCIe slots	7	
	Slot location 1	PCIe x1	
	Slot location 2	PCIe x4 slot (Gen3 x4 link)	
	Slot location 3	PCIe x1	
	Slot location 4	PCIe x16 slot (Gen3 x8 link)	
	Slot location 5	PCIe x1	
	Slot location 6	PCIe x16 slot (Gen3 x8 or x16 link)	
Graphics	Controller	Intel HD Graphics	
	VRAM	1 GB maximum shared memory with 2 GB and above system memory installed	
Storage	SATA controller	Intel C246: 8 SATA3 6 Gb/s ports with Intel Rapid Storage Technology Enterprise support (for Windows only) (Supports software RAID 0, 1, 10 & 5)	
	SAS controller	-	
Networking	Interface	10/100/1000 Mbps	
	Controller	GbE LAN1: Intel I219; GbE LAN 2-4: Intel I210-AT	
	Connector	RJ-45 x 2 for G2 version; RJ-45 x 4 for G4 version	
Onboard I/O Connector	Printer Port connector	1	
	PSU connector	24-pin SSI power connector + 8-pin SSI 12V power connector	
	USB connector	1 USB 3.1 Gen 1 (2 ports), 3 USB 2.0 (6 ports), 1 USB Type-A	
	Fan header	5 (4-pin)	
	SMBus	1	
	Chassis intruder	1	
	Front LAN LED	2	
	Serial port header	2 (RS-232)	
	Audio connector	1 (ALC 892)	
	PS/2 KB/Mouse	1 (Optional PS/2 KB/Mouse cable and bracket required)	
Rear I/O Connector	External serial port	- (via COM cable in the package)	
	External USB port	4 (USB 3.1 Gen 2)	
	VGA port	1 (Resolution up to 1920 x 1200 @ 60 Hz)	
	DVI port	1 (Resolution up to 1920 x 1200 @ 60 Hz)	
	HDMI port	1 (Resolution up to 4096 x 2160 @ 60 Hz)	
	RJ-45	2 for G2 version; 4 for G4 version	
	Audio connector	2 (Mic-in, Line-out)	
Watchdog Timer	Output	System reset	
	Interval	Programmable 1 ~ 255 sec	
Power Requirement	Power On	3.3 V 5 V 12 V 12V_8P 5 Vsb -12 V	
	(Xeon E-2176G 3.7GHz DDR4 2400 4G*4)	3.44A 2.61A 1.04A 6.3A 0.09A -0.02A	
Environment	Operating	Non-operating	
	Temperature	0 ~ 60° C (32 ~ 140° F) Depends on CPU speed and cooler solution	-40 ~ 85° C (-40 ~ 185° F)
Physical Characteristics	Humidity	10 ~ 90%	10 ~ 95% (Non-condensing)
	Dimensions	304.8 x 244 mm (12" x 9.6")	

*ECC will not be supported when C245 chipset is paired with Core i5/i7 processor.

Block Diagram



Ordering Information

Part Number	Chipset	Memory	Display	LAN	SATAIII	IPMI
ASMB-786G2-00A1	C246	DDR4 Non-ECC/ECC UDIMM	VGA + DVI-D + HDMI	2	8	-
ASMB-786G4-00A1	C246	DDR4 Non-ECC/ECC UDIMM	VGA + DVI-D + HDMI	4	8	Y

Packing List

Part Number	Description	Quantity
2001S78610	Startup manual	x 1
1700003194	SATA data cables	x 1
1700019381	SATA data cable (right angle)	x 1
1700022749-11	SATA power cables	x 2
1700001788	COM1 cable	x 1
1960088021T001	I/O shield	x 1

Optional Accessories

Part Number	Description
1960052651N021	LGA 1151/1150/1155 CPU cooler for 2U/4U and wallmount chassis (TDP up to 95W)
1960049408N001	LGA 1151/1150/1155 CPU heatsink for 1U chassis (TDP up to 95W)
1960088060T001	1U I/O shield
1700008809	Printer port cable kit (25 cm)
1700020294-01	Printer port cable kit (42 cm)
1701090401	Single port RS-232 cable with bracket (40 cm)
1700002204	Dual port USB 2.0 cable (27 cm) with bracket
1700008461	Four port USB 2.0 cable (30.5 cm) with bracket
1700020277-01	Dual port USB 3.0 cable with bracket (30 cm)
1700019268-11	Cable for onboard KBMS1 connector (35cm)
1960063434N000	Cable bracket for 1700019268-11
1700029038-01	BMC VGA cable with bracket (35cm, for G4 SKU)
PCA-COM232-00A1E	4 ports RS-232 module to LPC connector
PCA-COM485-00A1E	4 ports RS-485 module to LPC connector
PCA-TPM-00B1E	TPM 2.0 Module by LPC

I/O View



ASMB-786G4-00A1



ASMB-786G2-00A1

Note : Purchasing ASMB-786's proprietary CPU cooler from Advantech is a must. Other brands' CPU coolers are NOT compatible with ASMB-786.