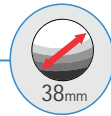


26 KEY HANDHELD KEYBOARDS WITH LASER OPTICAL TRACKBALL

IP65 sealed



These handheld keyboards are ideal for applications requiring only a limited number of key functions with fast and comfortable key access and a precise cursor control. This KBMT26 serie has 26 keys and an integrated removable 38mm laser optical trackball. The trackball optical lenses are accessible from the front and can easily be cleaned without dismantling the complete unit. The keyboards are IP65 sealed. They have numeric and function keys; the control keys are available via "Fn" key mapping.

MAIN FEATURES

- 26 membrane keys with tactile feel, 1,4 mm travel and 4N operating force
- Integrated 38 mm laser optical trackball with removable ball

Panel mount version :

- Front of panel mounting by six M3 mounting studs
- Added silicon sponge seal for perfect sealing into the user's panel
- Dimensions / weight : 85 x 205 x 33 mm / 0,2 kg

Enclosed version :

- The keyboard is mounted in a very stylish and robust ABS housing
- Dimensions / weight : 105 x 210 x 60 mm / 0,4 kg

GENERAL TECHNICAL SPECIFICATIONS

Sealing	: IP65 sealed
Keys	: 26 tactile membrane keys
Pointing Device	: 38 mm trackball
Output	: 1,6 m. PS/2 or USB cable(s)
Power requirements	: Directly from PS/2 or USB port
Operating temp.	: 0°C to +60°C
Front layer	: Black polyester front layer with embossed keys, scratch and chemical resistant

CONNECTIVITY

The PS/2 keyboards are supplied with one 1,6 m long shielded straight cable ended with a PS/2 type A plug. The USB versions are supplied with one 1,6m long shielded straight cable ended by a USB type A connector. Use the US-keyboard driver standardly available in your operating system.

** Due to the increasing differences of PS/2 mouse port specifications of the various PC manufacturers, we do recommend that this unit should be tested on the final PC configuration and operating system prior to installing it in series.*

ORDER INFO

LAYOUT	PANEL MOUNT	ENCLOSED
n.a.	KBMT26 F1 xxx	KBMT26 S1 xxx

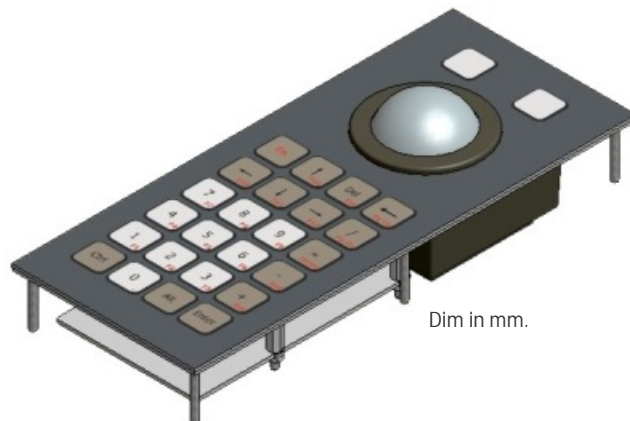
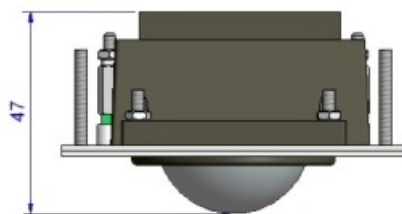
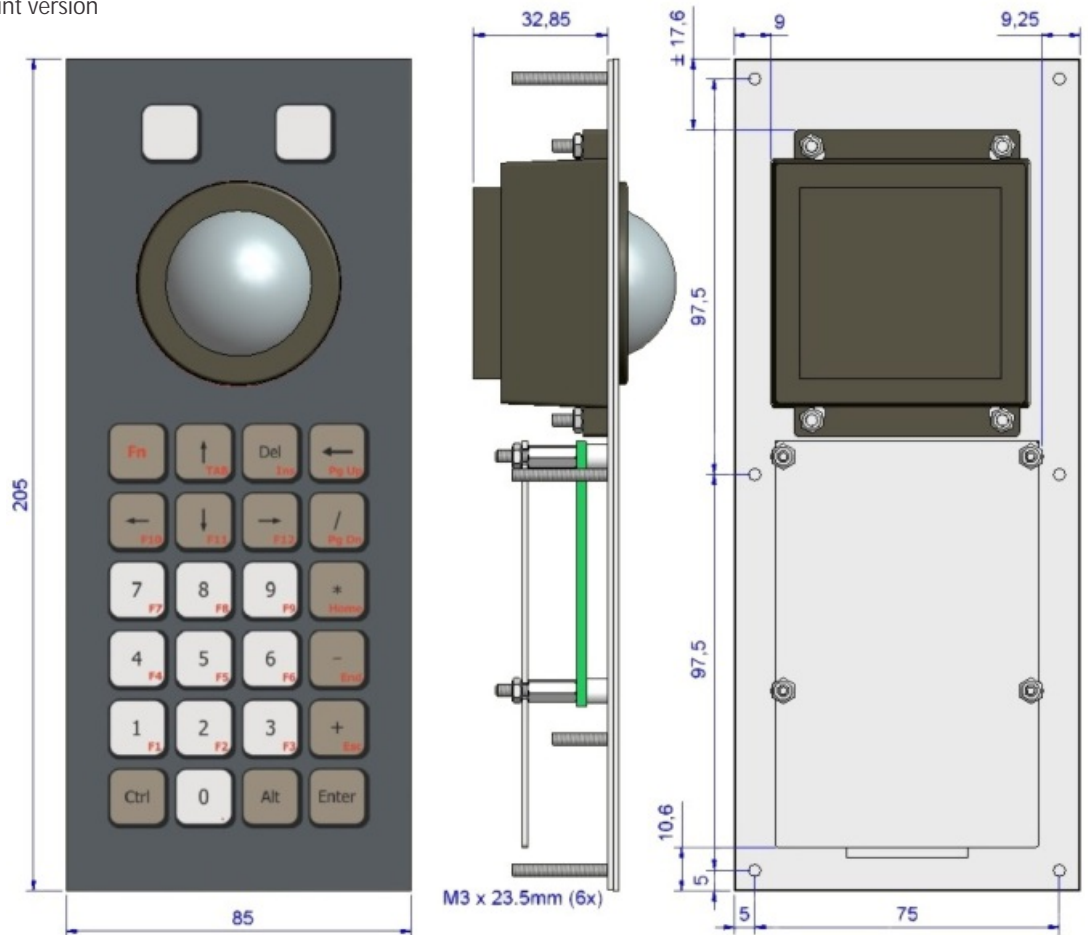
xxx = protocol output : PS/2 or USB

26 KEY HANDHELD KEYBOARDS WITH LASER OPTICAL TRACKBALL

IP65 sealed

DIMENSIONAL DRAWING

Panel mount version



Dim in mm.

COLOURS

Background : RAL 7024 graphite grey

Key contour : RAL 9011 graphite black

Key Legends : RAL 9011 graphite black or RAL 3000 flame red

Key background : RAL 9006 white aluminium or RAL 9007 grey aluminium

The company reserves the right to alter without prior knowledge the specification or design of any standard product or service.

VER. 1.0