

IP66/69K Protected 15" Stainless Steel Industrial Monitor with P-CAP/5-Wire Resistive Touch



Features

- IP66/69K Protected Stainless Steel 316 Flat Panel Design
- 15" LCD, P-CAP/5-Wire Resistive, Resolution 1024 x 768
- 12 ~ 24 V DC power input (M12 Connector)
- VGA and USB (M12 Connector), HDMI port
- VESA and Yoke mounting

Applications

- Food & Beverage Processing Industrial
- Pharmaceutical and Biopharmaceutical Equipment
- Embedded HMI Display System
- Factory Manufacturing Automation
- Chemical, Gas & Oil Critical Environment

→ Packing List

| Description |
|--------------|
| 1 x TPM-3615 |

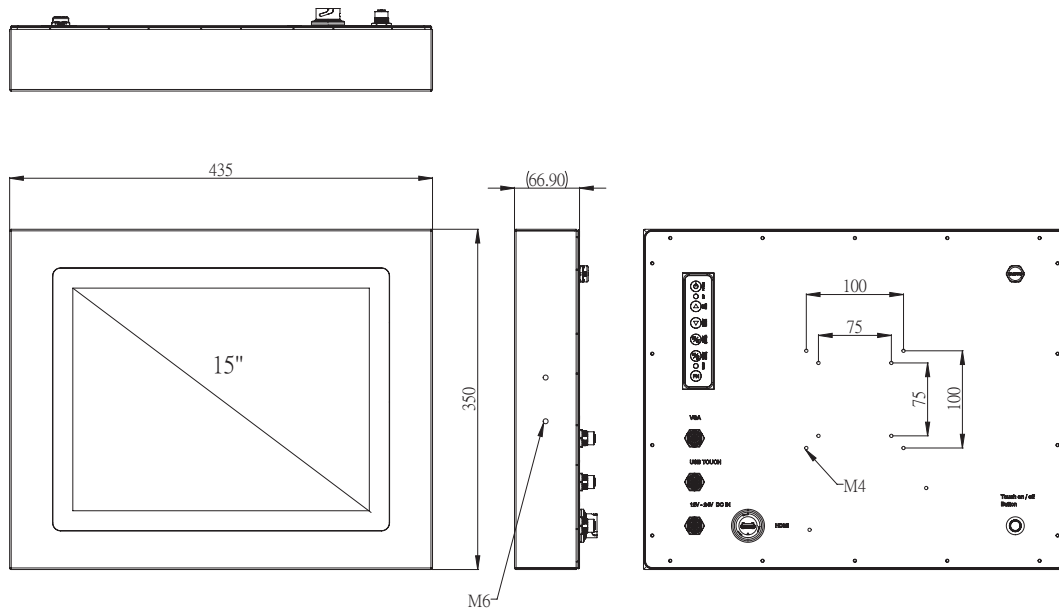
→ Optional Items

| Part No. | Description |
|---------------|----------------------------------------|
| APW-60M12V-01 | 12V, 60W, 5A, 5-pin M12 Connector (US) |
| APW-60M12V-02 | 12V, 60W, 5A, 5-pin M12 Connector (EU) |
| AKT-TOU2M12 | M12 Connector to Touch Cable, 2m |
| AKT-VGA2M12-M | M12 Connector to DB15 Male Cable, 2m |
| AKT-HDMI2IP67 | IP67 Connector to HDMI Cable, 2m |

→ Ordering Information

| Part No. | Description |
|----------------|--------------------------------------------------------------------------------------------------------------------------------------------------------------------------------------------|
| TPM-3615P-B6A1 | 15" 4:3 (1024 x 768), 300nits, Stainless Steel 316 Full IP66/69K Protection, with Projected capacitive touch screen, USB interface, 1 VGA, DC 12~24V, M12 connector, 1 HDMI IP67 Connector |
| TPM-3615R-B6A1 | 15" 4:3 (1024 x 768), 300nits, Stainless Steel 316 Full IP66/69K Protection, with 5-wire Resistive touch screen, USB interface, 1 VGA, DC 12~24V, M12 connector, 1 HDMI IP67 Connector |

→ Dimensions



→ Specifications

| Model | | TPM-3615P-B6A1 | TPM-3615R-B6A1 |
|---------------|--------------------------|-------------------------------------------------------------------------|------------------|
| LCD Panel | Panel Size | 15" | |
| | Aspect Ratio | 4:3 | |
| | Resolution | 1024 x 768 (XGA) | |
| | Viewing Angle | 80 x 80 (H) x 80 x 80 (V) | |
| | Brightness | 300 (cd/m ²) | |
| | Contrast Ratio | 600:1 | |
| | Life Time | 50,000 hrs | |
| Touchscreen | Type | Projected Capacitive Touch | 5-Wire Resistive |
| | Surface Hardness | 7 Mohs | 3 Mohs |
| | Transparency | 90% (±3%) | 80% (±3%) |
| | On/Off Button | YES | N/A |
| I/O Interface | Video Interface | 1 VGA (M12 Connector), 1 HDMI (IP67 Waterproof Connector) | |
| | Touch Interface | 1 USB (M12 Connector) | |
| | Audio | N/A | |
| | Speaker | N/A | |
| OSD Control | Function Key | 6 Keys: Menu, Up, Down, Auto Adjust, Monitor Power on/off, Function Key | |
| | Power Input | 12-24 V DC power input, single power source | |
| | Power Connector | M12 connector | |
| Power | Power Consumption | 16 W | |
| | VESA Mount | 75mmx 75mm; 100mm x 100mm | |
| | Panel Mount | N/A | |
| Mounting | Others | Yoke mount | |
| | Operating Temperature | -20~60° C (-4~140° F) | |
| | Storage Temperature | -20~60° C (-4~140° F) | |
| Environment | Humidity | 5~95% @ 40° C, non-condensing | |
| | Vibration | 5-500 Hz, 0.026 G ² /Hz, 2.16 Grms, X, Y, Z, 1 hour per axis | |
| | Shock | Full System IP66/69K Protection | |
| | Certification | CE/FCC | |
| General | Material, Surface Finish | Stainless Steel 316, Brush Finished | |
| | True Flat | Yes | |
| | Ingress Protection | Full System IP66 Protection | |
| | Dimensions (W x H x D) | 435 X 350 X 66.9 (17.13" X 13.78" X 2.63") | |
| | Net Weight | 6.71 kg (14.7 lb) | |
| | Operating System | Windows 7/8.1/10, WES7, WE8S, Linux Fedora, Ubuntu | |