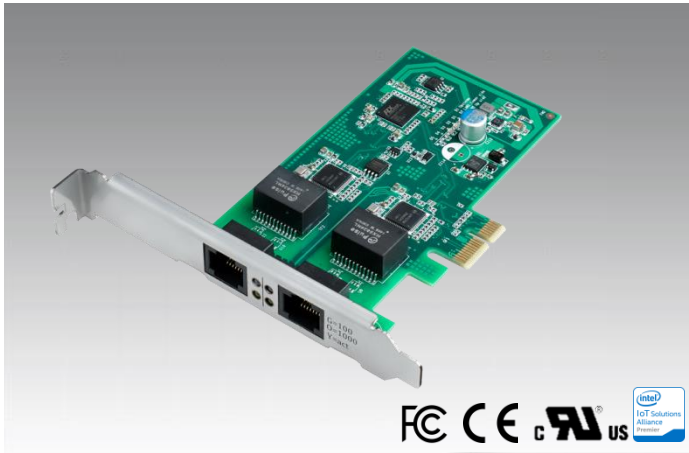


DMS-IR06

Medical LAN Card with Dual Port



Features

- Compliant with Medical standard EN60601-1
- Full 1000Base-T performance
- Dual LAN ports
- Compatible with both full-height and low-profile brackets
- Supports PCIe x1 bandwidth

Introduction

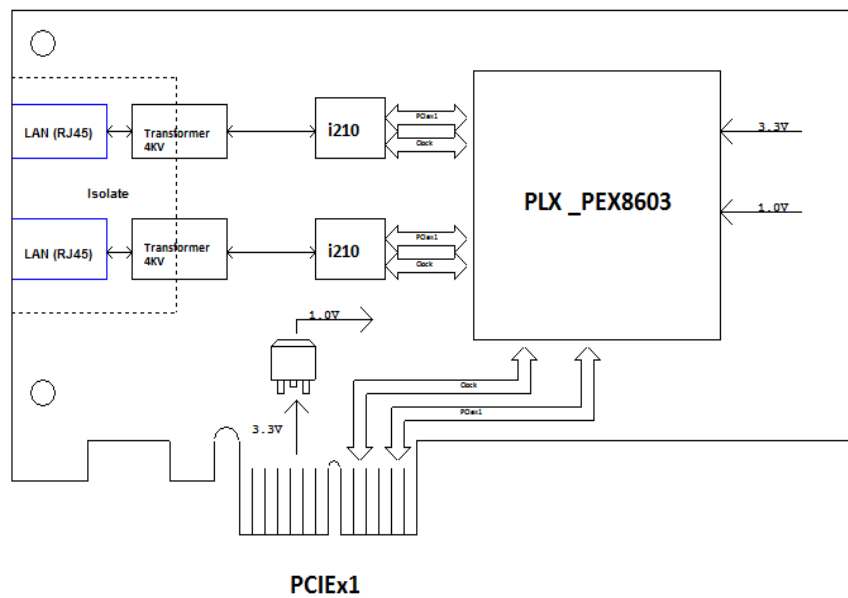
The **DMS-IR06** is a PCIe x1 medical LAN card supporting Intel® I210 Ethernet controller, with dual LAN ports offering full gigabit performance. The **DMS-IR06** complies with medical standard EN 60601-1, and is thus ideal for any medical application where safety/EMC regulations are a concern. For easy installation into different customized applications, the **DMS-IR06** is designed to be compatible with both full-height and low-profile brackets.

Specifications

Chipset		Intel® I210 Ethernet Controller
LAN Interfaces		2 isolated Ethernet 1000 Base-T
I/O Connectors		RJ45 x2
Connectivity Media		UTP CAT5, CAT6, CAT7
LED Indicators		LAN status: yellow LAN speed: green/ orange
Bus Type		PCIe x1 (2.5GT/s)
Environment	Temperature	Operating: 0°C ~ +60°C, Storage: -40°C ~ +85°C
	Humidity	Operating: 5% ~ 95% @ 40°C, non-condensing
Certificates	Safety	IEC 60950-1, EN 60950-1 UL 60950-1, Compliant EN 60601-1
	EMC	EN 60601-1-2, EN 55011, EN 55022, EN 55024 EN 61000-6-3, EN 61000-6-1, FCC Part 15 Class B IC ICES -003
Physical Characteristics	Dimensions	121 x 119.5mm w/ full-height bracket 80.2 x 119.5mm w/ low-profile bracket
	Weight	75g (PCBA with full-height bracket)
Operating System*		Microsoft Windows 7, Windows 8.1, Windows 10 Linux Red Hat 6.3,

*OS: Please refer to website: <https://downloadcenter.intel.com/product/64399/Intel-Ethernet-Controller-I210-Series>

Block Diagram



Ordering Information

Part Number	Chipset	GbE LAN
DMS-IR06-00A1E	Intel® I210	2

Packing List

Part Number	Description	Qty
1960067455N000	Low-profile bracket	1

- For sales inquiries or further information, please contact us: Medical.dms@advantech.com.tw